



Knurled Wheels

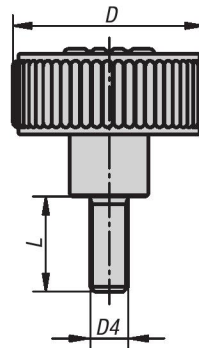
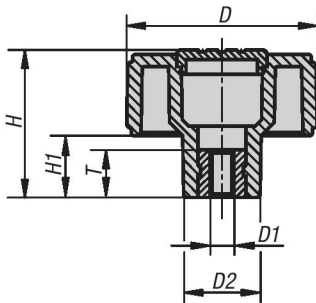
internal components stainless steel



Style D
tapped through hole without cap

Style K
tapped through hole with cap

Style L
external thread



Novo-Grip Knurled Wheels are ergonomic, eye appealing, durable and offer a firm and safe grip. Ideal for all applications. Strength and durability are guaranteed with Novo-Grip Knurled Wheels.

Material:

Thermoplastic, bushing and threaded bolt in stainless steel 1.4305.

Type:

Stainless steel natural finish.

Part Number Example:

K0261.51056X10

(cap color traffic red; include length L)

Note:

Δ Add the desired wheel cap color here; no color code is required with black gray wheel caps

KIPP Knurled Wheels, components in stainless steel, internal thread, inch

Item No.	Style	Version	Size	D	D1	D2	H	H1	T
K0261.11A1	D	bushing stainless steel	1	40	10-32	16.5	31	13	10
K0261.11A2	D	bushing stainless steel	1	40	1/4-20	16.5	31	13	10
K0261.11A3	D	bushing stainless steel	1	40	5/16-18	16.5	31	13	14
K0261.12A3	D	bushing stainless steel	2	50	5/16-18	18	36	15	14
K0261.12A4	D	bushing stainless steel	2	50	3/8-16	18	36	15	14
K0261.13A4	D	bushing stainless steel	3	63	3/8-16	22	41	17	14
K0261.13A5	D	bushing stainless steel	3	63	1/2-13	22	41	17	18

KIPP Knurled Wheels, components in stainless steel, internal thread, inch

Item No.	Style	Version	Size	D	D1	D2	H	H1	T
K0261.21A1Δ	K	bushing stainless steel	1	40	10-32	16.5	31	13	10
K0261.21A2Δ	K	bushing stainless steel	1	40	1/4-20	16.5	31	13	10
K0261.21A3Δ	K	bushing stainless steel	1	40	5/16-18	16.5	31	13	14
K0261.22A3Δ	K	bushing stainless steel	2	50	5/16-18	18	36	15	14
K0261.22A4Δ	K	bushing stainless steel	2	50	3/8-16	18	36	15	14
K0261.23A4Δ	K	bushing stainless steel	3	63	3/8-16	22	41	17	14
K0261.23A5Δ	K	bushing stainless steel	3	63	1/2-13	22	41	17	18



Knurled Wheels

internal components stainless steel



KIPP Knurled Wheels, components in stainless steel, external thread, inch

Item No.	Style	Version	Size	D	D2	D4	H	H1	L
K0261.51A1ΔX	L	bolt stainless steel	1	40	16.5	10-32	31	13	10/20
K0261.51A2ΔX	L	bolt stainless steel	1	40	16.5	1/4-20	31	13	20/30
K0261.51A3ΔX	L	bolt stainless steel	1	40	16.5	5/16-18	31	13	20/40
K0261.52A3ΔX	L	bolt stainless steel	2	50	18	5/16-18	36	15	20/40
K0261.52A4ΔX	L	bolt stainless steel	2	50	18	3/8-16	36	15	20/40
K0261.53A4ΔX	L	bolt stainless steel	3	63	22	3/8-16	41	17	20/40

KIPP Knurled Wheels, components in stainless steel, internal thread, metric

Item No.	Style	Version	Size	D	D1	D2	H	H1	T
K0261.1105	D	bushing stainless steel	1	40	M5	16,5	31	13	10
K0261.1106	D	bushing stainless steel	1	40	M6	16,5	31	13	10
K0261.1108	D	bushing stainless steel	1	40	M8	16,5	31	13	14
K0261.1208	D	bushing stainless steel	2	50	M8	18	36	15	14
K0261.1210	D	bushing stainless steel	2	50	M10	18	36	15	14
K0261.1310	D	bushing stainless steel	3	63	M10	22	41	17	14
K0261.1312	D	bushing stainless steel	3	63	M12	22	41	17	18

KIPP Knurled Wheels, components in stainless steel, internal thread, metric

Item No.	Style	Version	Size	D	D1	D2	H	H1	T
K0261.2105Δ	K	bushing stainless steel	1	40	M5	16,5	31	13	10
K0261.2106Δ	K	bushing stainless steel	1	40	M6	16,5	31	13	10
K0261.2108Δ	K	bushing stainless steel	1	40	M8	16,5	31	13	14
K0261.2208Δ	K	bushing stainless steel	2	50	M8	18	36	15	14
K0261.2210Δ	K	bushing stainless steel	2	50	M10	18	36	15	14
K0261.2310Δ	K	bushing stainless steel	3	63	M10	22	41	17	14
K0261.2312Δ	K	bushing stainless steel	3	63	M12	22	41	17	18

KIPP Knurled Wheels, components in stainless steel, external thread, metric

Item No.	Style	Version	Size	D	D2	D4	H	H1	L
K0261.5105ΔX	L	bolt stainless steel	1	40	16,5	M5	31	13	10/20
K0261.5106ΔX	L	bolt stainless steel	1	40	16,5	M6	31	13	10/20/40
K0261.5108ΔX	L	bolt stainless steel	1	40	16,5	M8	31	13	15/30/60
K0261.5208ΔX	L	bolt stainless steel	2	50	18	M8	36	15	15/30/60
K0261.5210ΔX	L	bolt stainless steel	2	50	18	M10	36	15	20/30/60
K0261.5310ΔX	L	bolt stainless steel	3	63	22	M10	41	17	20/30/60