

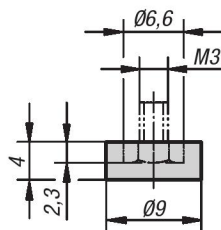
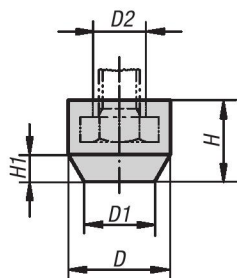


Protective caps

METRIC
Parts

K0106.01 - K0106.05
K0106.07

K0106.06



Material:

K0106.01 to K0106.05 and K0106.07: oil-resistant rubber;
K0106.06: polyamide

Type:

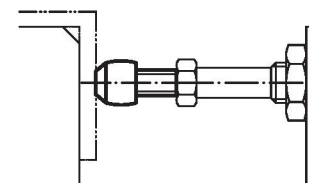
Rubber: black; polyamide: white

Part Number Example:

K0106.03

KIPP Protective caps, metric

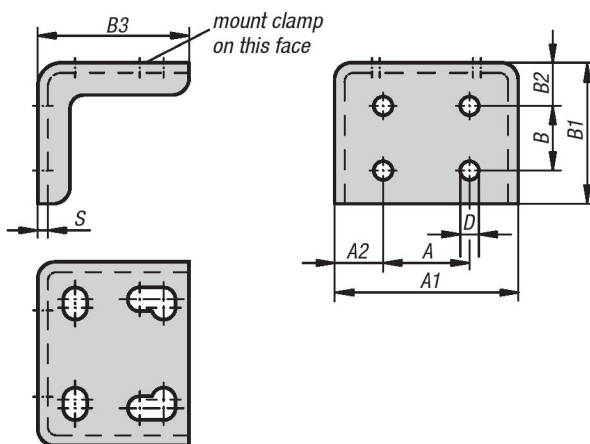
Item No.	D	D1	D2	H	H1	for screws
K0106.06	-	-	-	-	-	M3
K0106.01	11	7	5,5	8,5	4	M4
K0106.02	12,5	8	6,8	10	4	M5
K0106.03	15	10	8,5	12	4	M6
K0106.04	19	13	11,3	15	6	M8
K0106.07	23	15	14,5	18	7	M10
K0106.05	26	19	16,5	20	7	M12



K0098

Angle Brackets

METRIC
Parts



Material:

Steel.

Type:

Galvanized and chromated

Part Number Example:

K0098.02

Note:

The Angle Brackets make possible head end mounting for Quick-Acting Clamps listed in the table.

KIPP Angle Brackets, metric

Item No.	A	A1	A2	B	B1	B2	B3	D	S
K0098.02	18	43	12,5	15	36,5	13,5	29,5	5	2
K0098.04	25,4	54	14,2	19	41,5	12,7	44,5	5,5	3
K0098.06	44	76	16	32	62	21	66	8,6	4