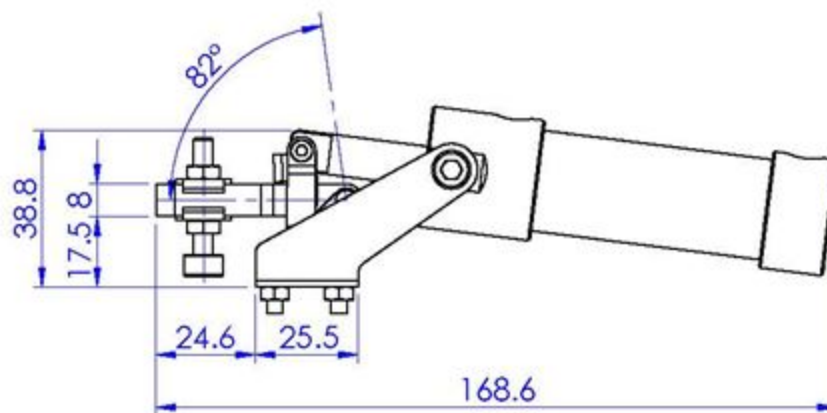
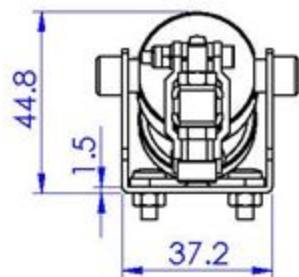
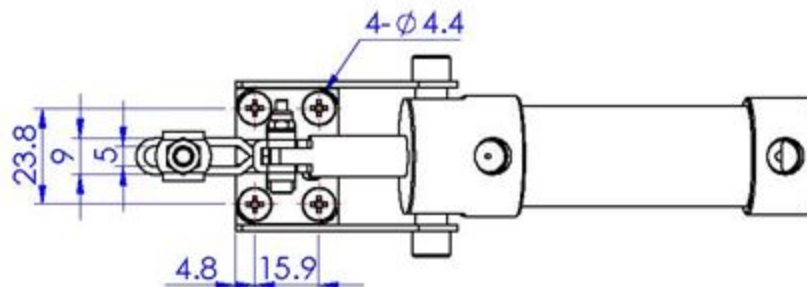


Part No:	GH-10101-A
Holding Capacity:	50Kg
Bar Opens:	82°
Weight:	Kg
Spindle Supplied:	FC-10138-LP
Flanged Washers:	FW-100
Air Connection Size:	1/8NPT



Unit:mm

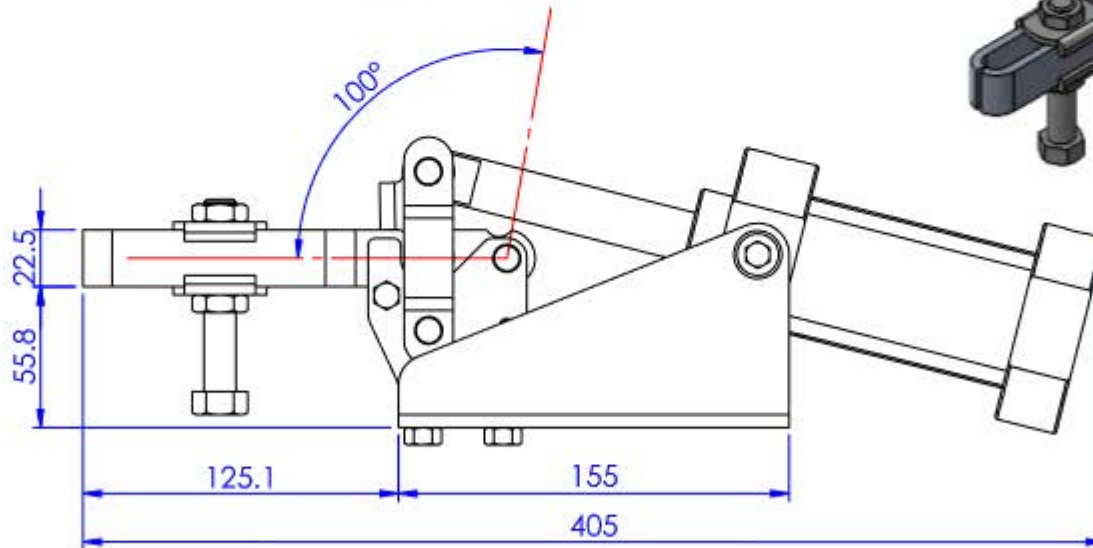
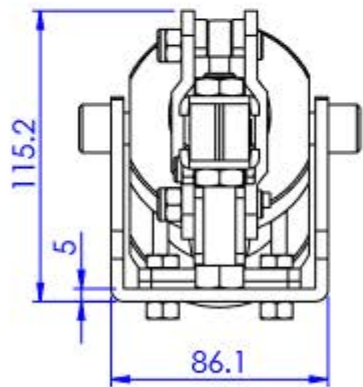
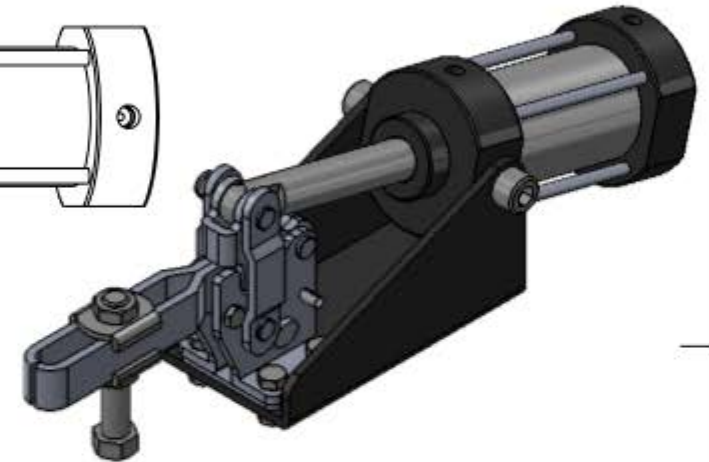
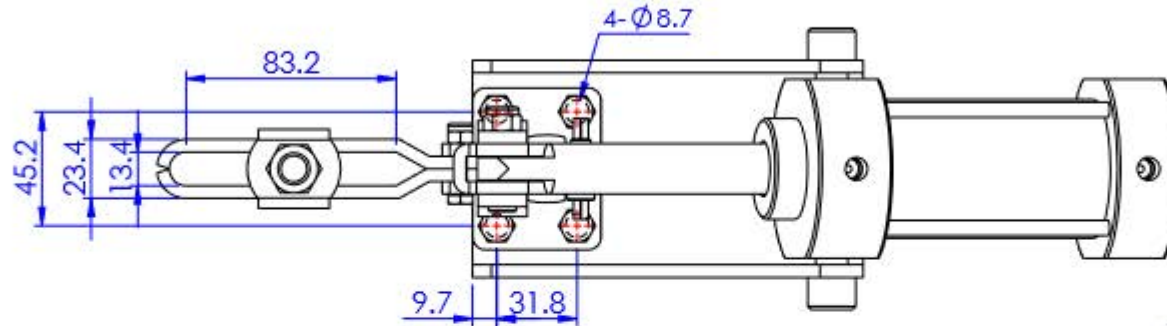
Good Hand UK Ltd

TITLE:

DWG NO. GH-10101-A

A4

Part No:	GH-10247-A
Holding Capacity:	450Kg
Bar Opens:	100°
Weight:	3.73Kg
Spindle Supplied:	SA-121017
Flanged Washers:	FW-120
Air Connection Size:	1/8NPT



Unit:mm
Scale: 1:3

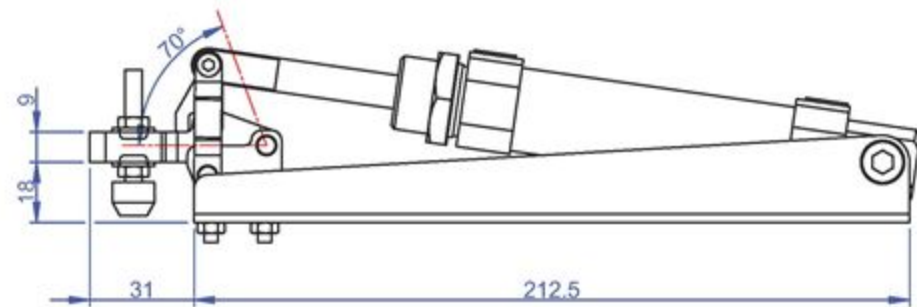
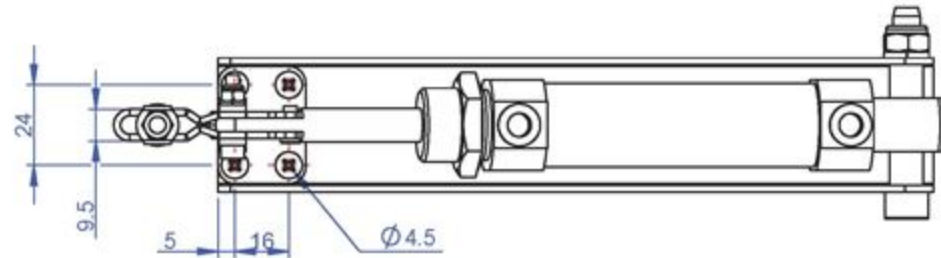
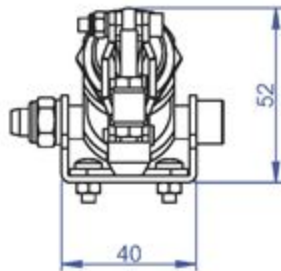
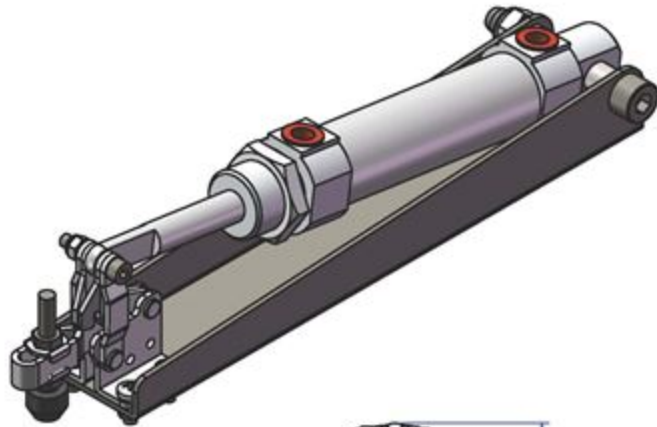
Good Hand UK Ltd

TITLE:

DWG NO. GH-10247-A

A4

Part No:	GH-10750-A
Holding Capacity:	75 Kg
Bar Opens:	70°
Weight:	0.6 Kg
Spindle Supplied:	SA-053508 + NC-05
Flanged Washers:	FW-100
Air Connection Size:	1/8"NPT
Cylinder Bore:	∅ 25mm
Max Cylinder Air Pressure:	9 Kgf/cm ²



Good Hand UK Ltd

Drawing Scale: 1:2
Unit: mm

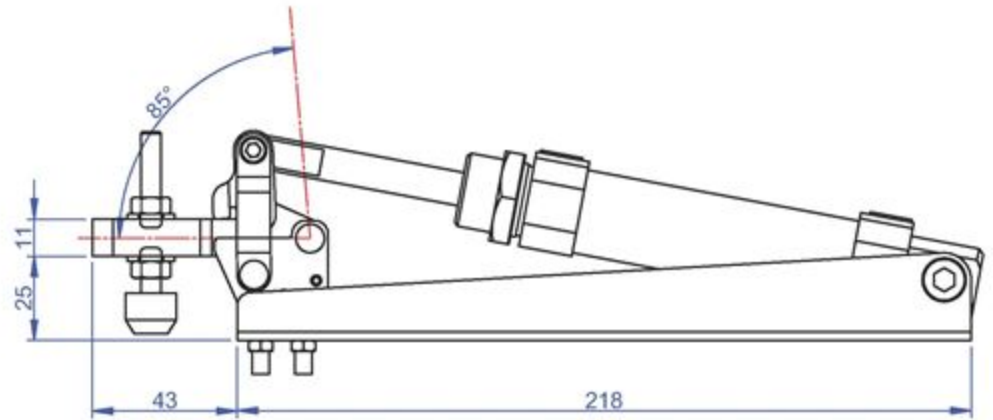
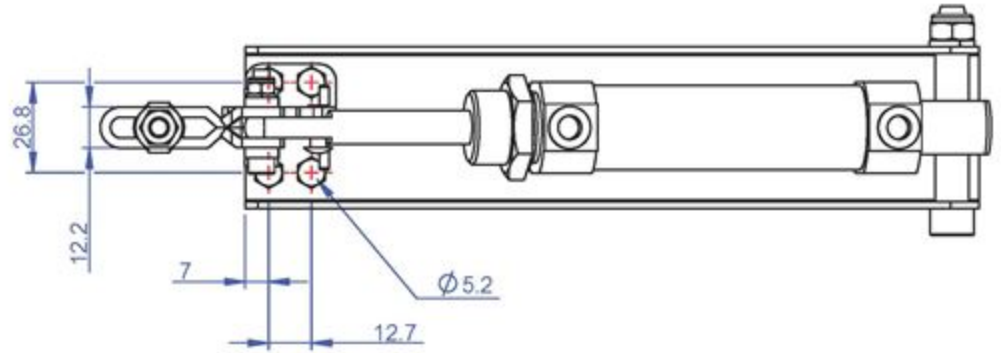
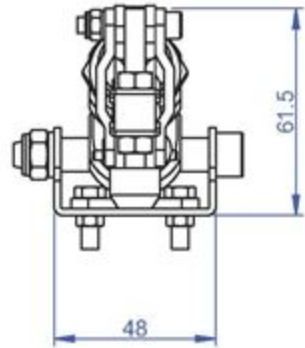
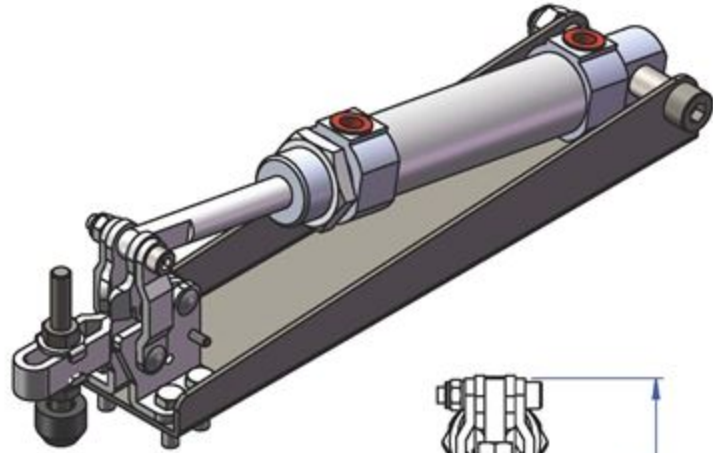
TITLE:

DWG NO.

GH-10750-A

A4

Part No:	GH-11500-A
Holding Capacity:	75 Kg
Bar Opens:	85°
Weight:	0.71 Kg
Spindle Supplied:	SA-065010 + NC-06
Flanged Washers:	FW-140
Air Connection Size:	1/8"NPT
Cylinder Bore:	∅ 25mm
Max Cylinder Air Pressure:	9 Kgf/cm ²



Good Hand UK Ltd

Drawing Scale: 1:2
Unit: mm

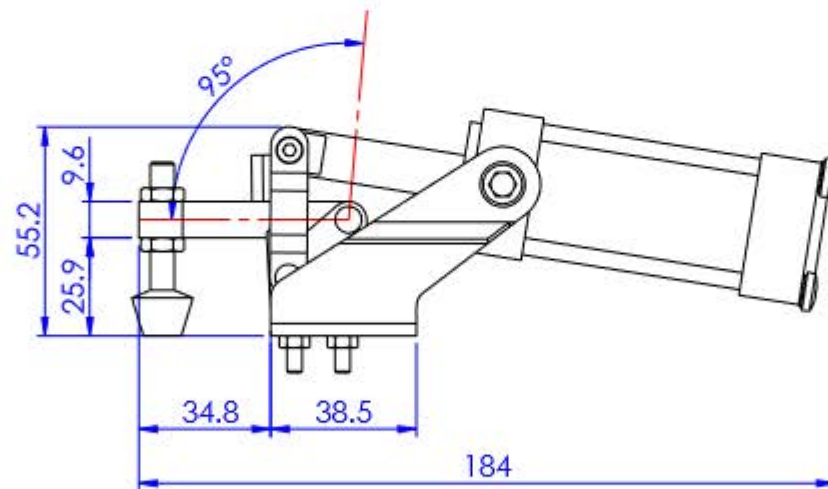
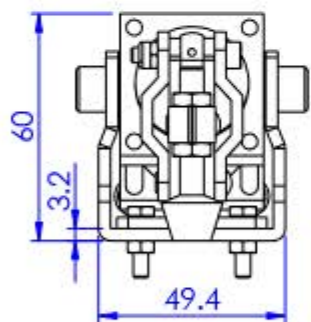
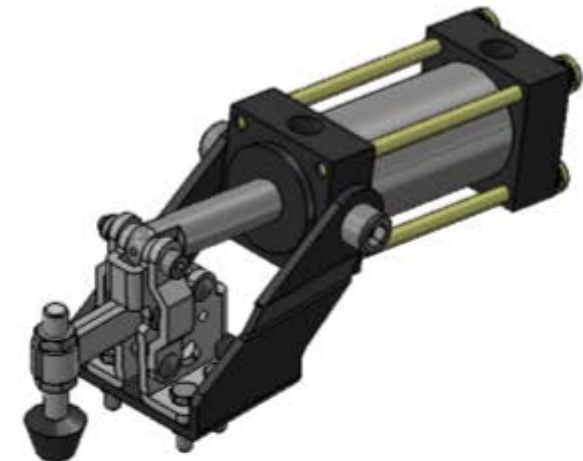
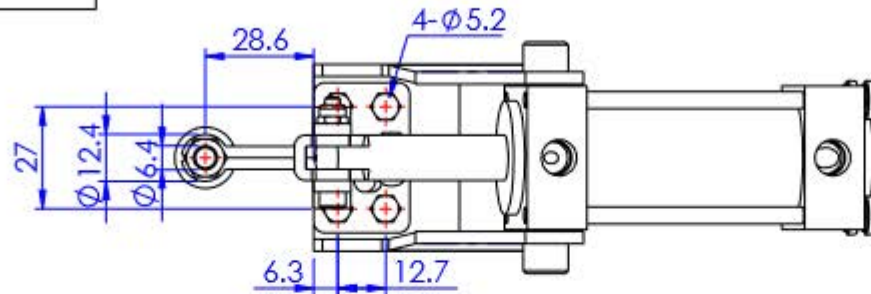
TITLE:

DWG NO.

GH-11500-A

A4

Part No:	GH-12050-A
Holding Capacity:	91Kg
Bar Opens:	95°
Weight:	613Kg
Spindle Supplied:	FC-064410
Air Connection Size:	1/8NPT



Unit:mm

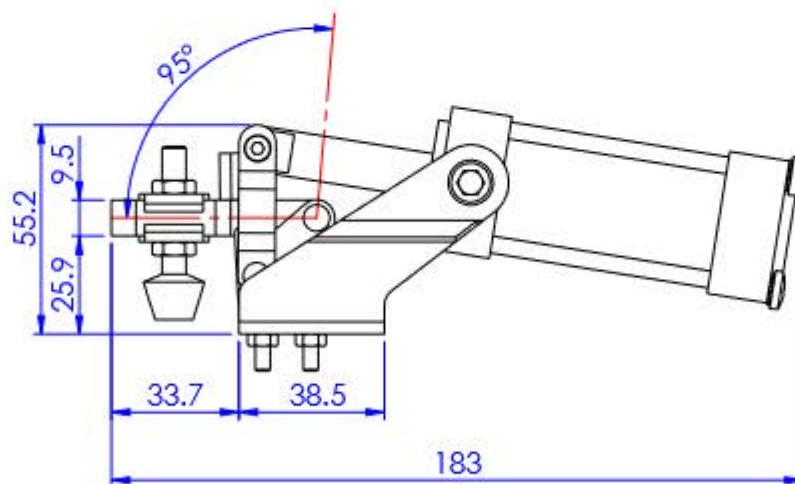
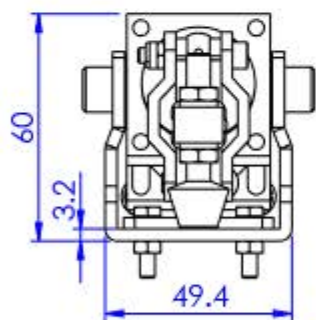
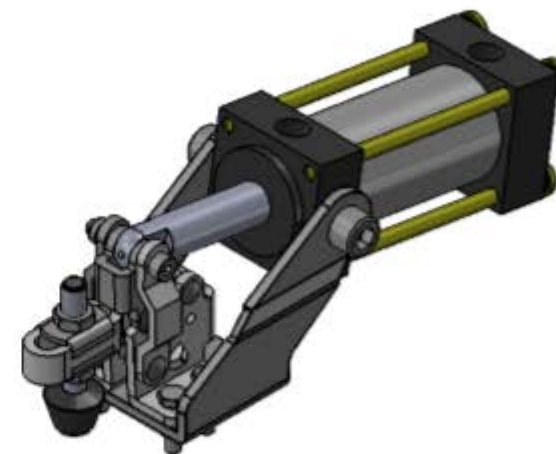
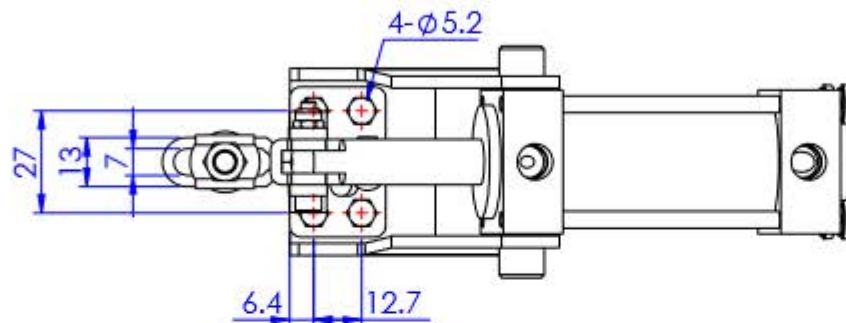
Good Hand UK Ltd

TITLE:

DWG NO. GH-12050-A

A4

Part No:	GH-12050-UA
Holding Capacity:	91Kg
Bar Opens:	95°
Weight:	618Kg
Spindle Supplied:	FC-064410
Flanged Washers:	FW-142
Air Connection Size:	1/8NPT



Unit:mm

Scale: 1:2

Good Hand UK Ltd

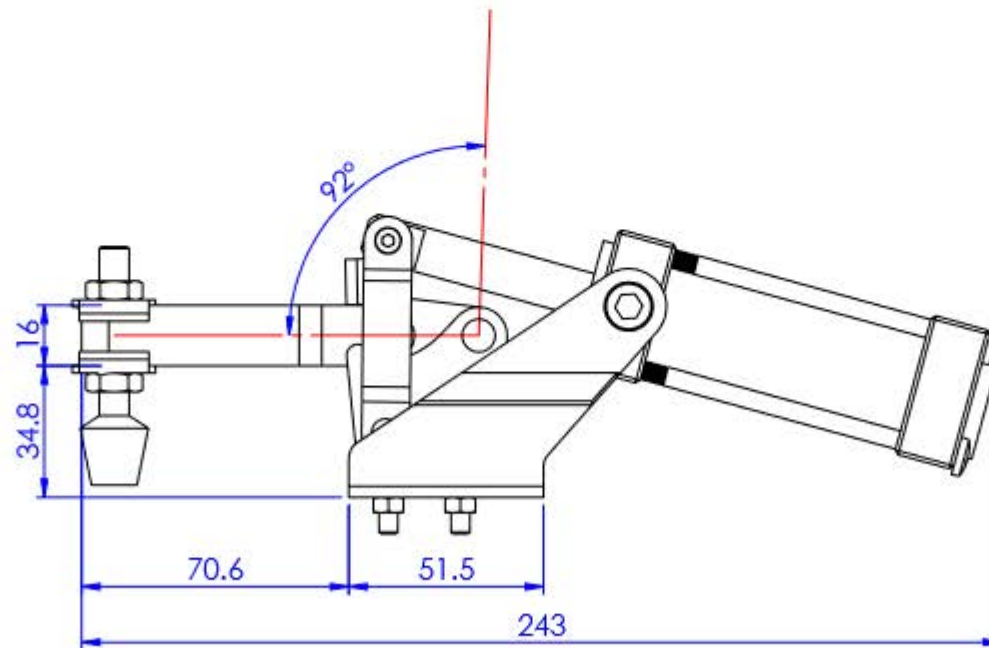
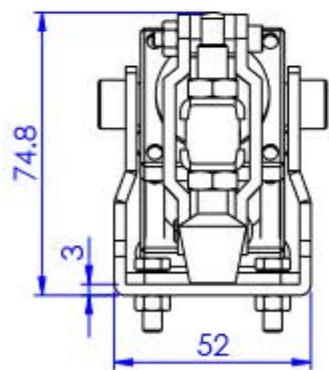
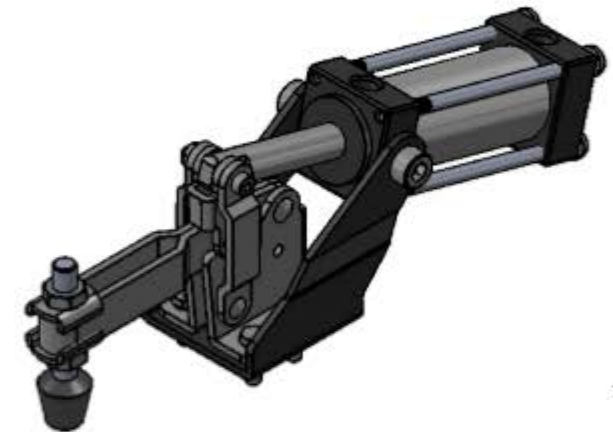
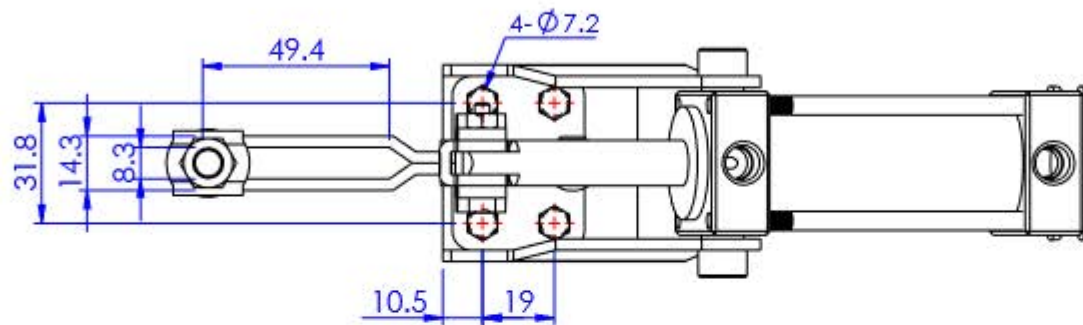
TITLE:

DWG NO.

GH-12050-UA

A4

Part No:	GH-12130-A
Holding Capacity:	227Kg
Bar Opens:	92°
Weight:	858Kg
Spindle Supplied:	FC-086312
Flanged Washers:	FW-516
Air Connection Size:	1/8NPT



Unit:mm
Scale: 1:2

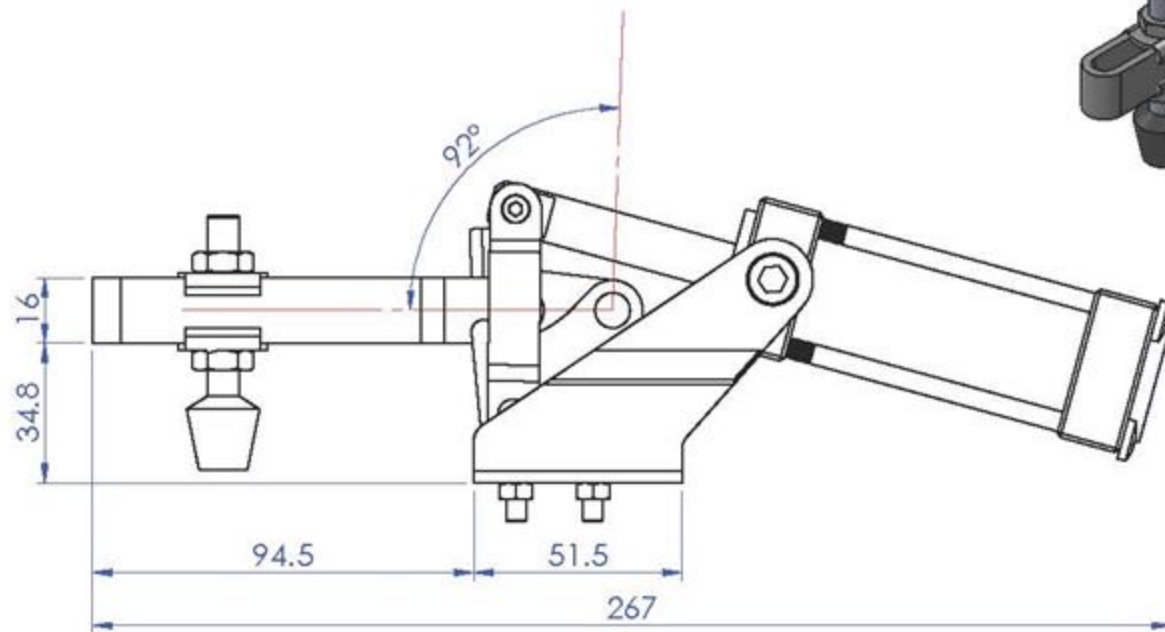
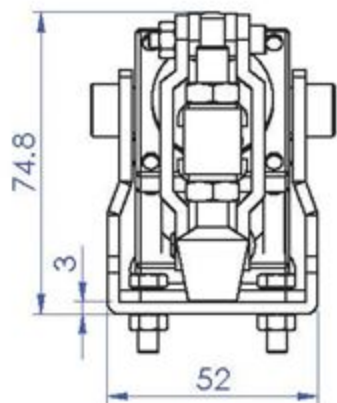
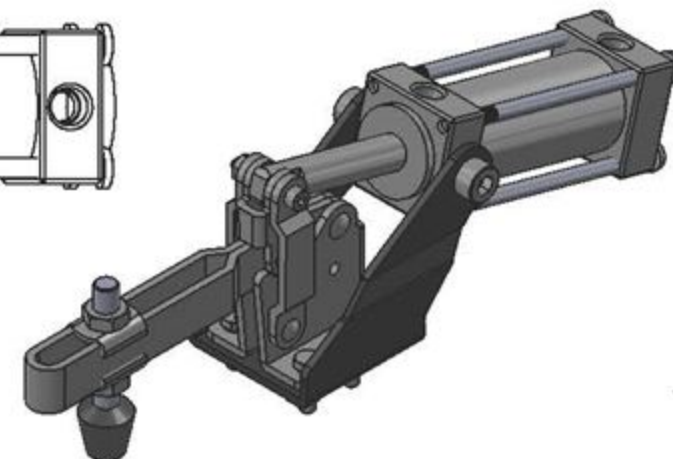
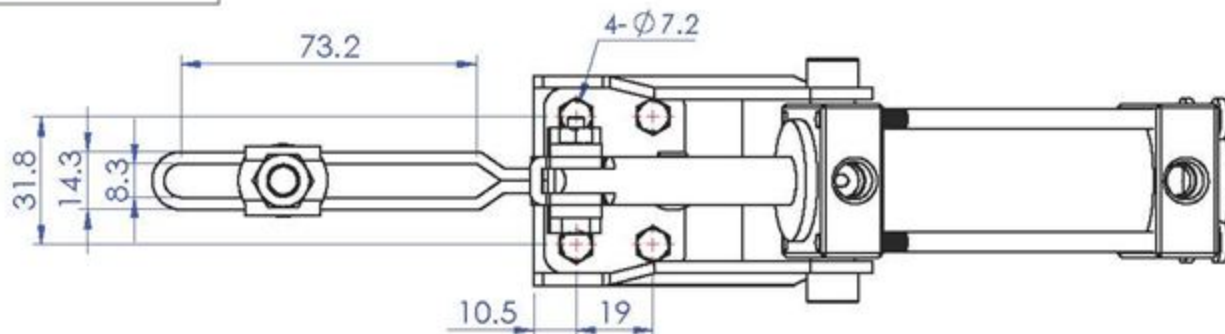
Good Hand UK Ltd

TITLE:

DWG NO. GH-12130-A

A4

Part No:	GH-12132-A
Holding Capacity:	227Kg
Bar Opens:	92°
Weight:	0.875Kg
Spindle Supplied:	FC-56212
Flanged Washers:	FW-516
Air Connection Size:	1/8NPT

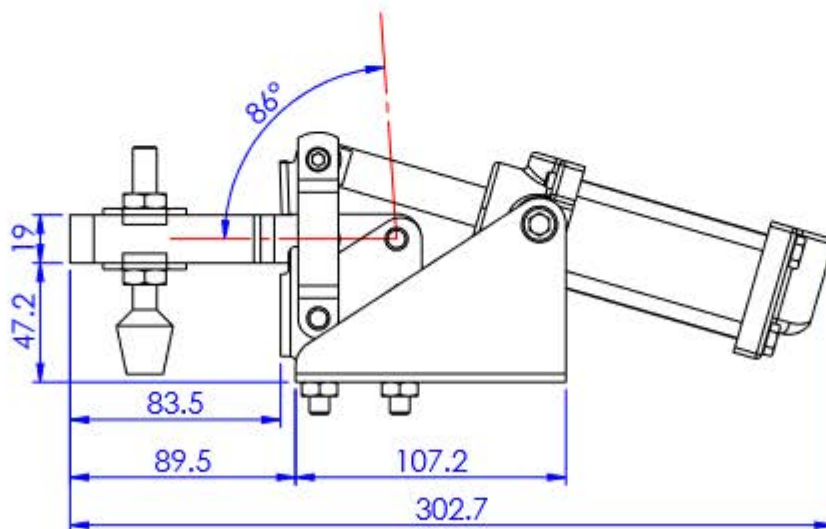
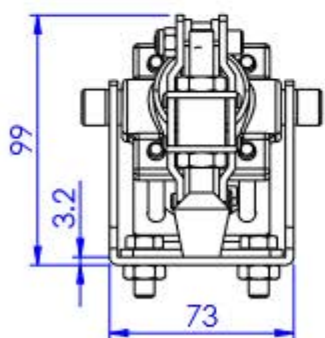
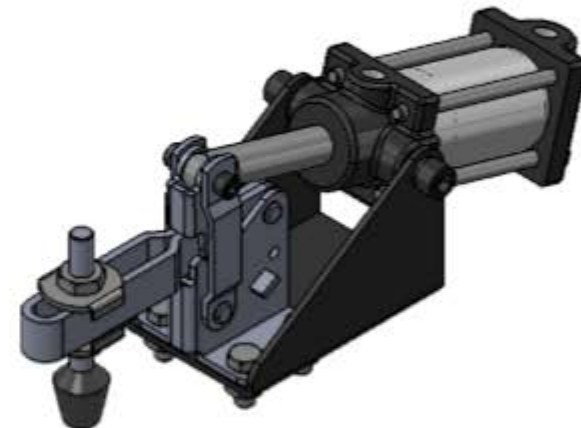
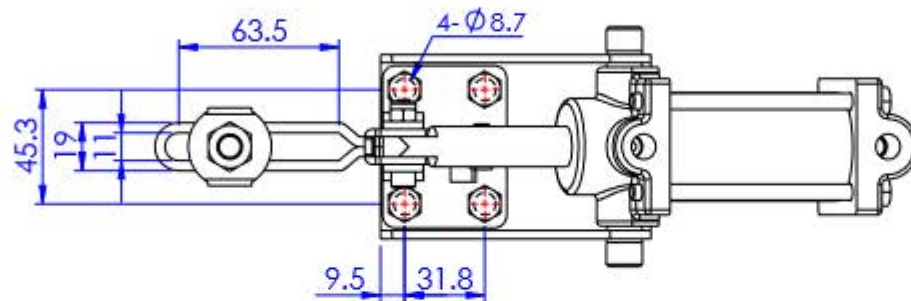


Unit:mm
Scale: 1:2

Good Hand UK Ltd

TITLE:		
DWG NO.	GH-12132-A	A4

Part No:	GH-12265-A
Holding Capacity:	340Kg
Bar Opens:	86°
Weight:	1.685Kg
Spindle Supplied:	FC-108515
Flanged Washers:	FW-380
Air Connection Size:	1/8NPT



Unit:mm

Scale: 1:3

Good Hand UK Ltd

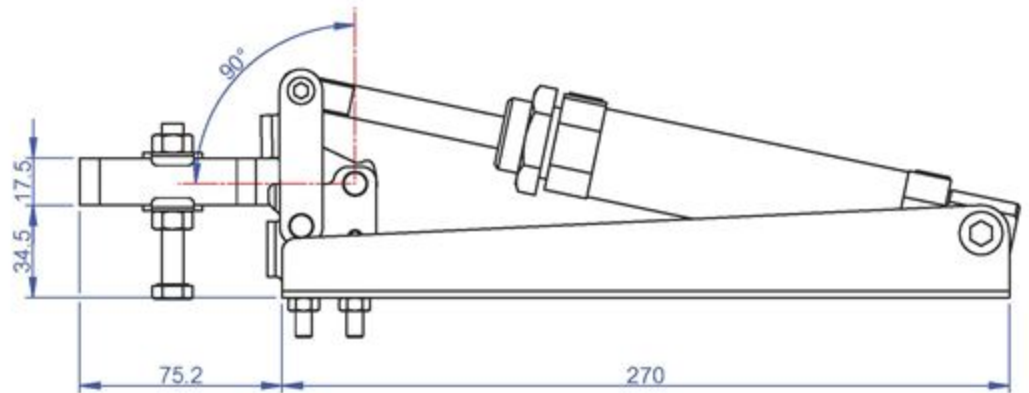
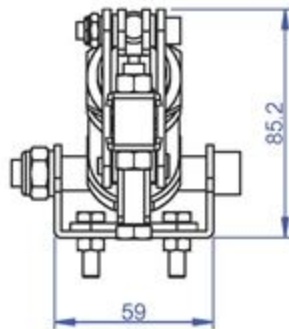
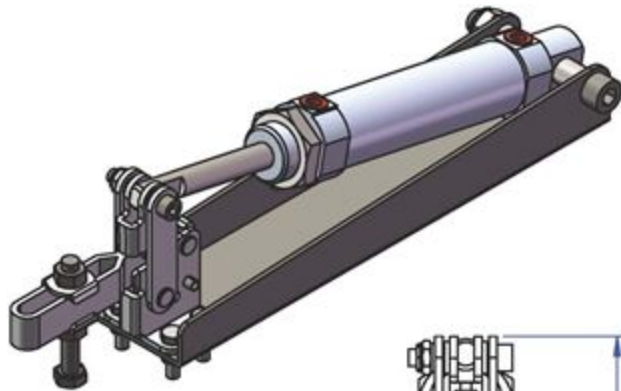
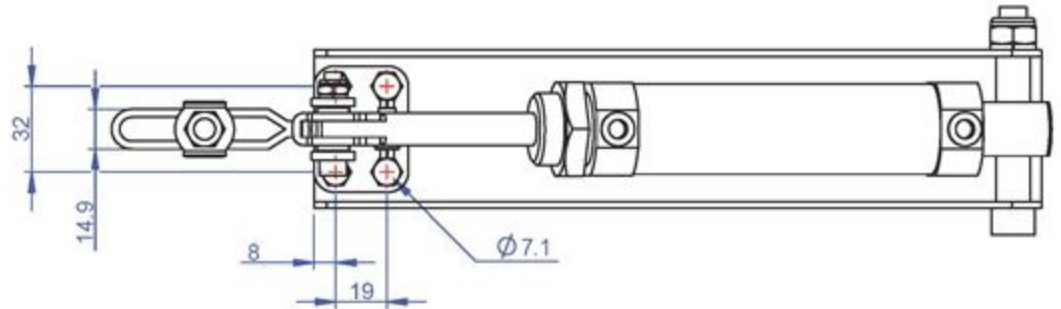
TITLE:

DWG NO.

GH-12265-A

A4

Part No:	GH-12500-A
Holding Capacity:	250 kg
Bar Opens:	90°
Weight:	1.45 Kg
Spindle Supplied:	SA-086512
Flanged Washers:	FW-516
Air Connection Size:	1/8"NPT
Cylinder Bore:	∅ 32mm
Max Cylinder Air Pressure:	9 Kg/cm ²



Good Hand UK Ltd

Drawing Scale:1:2.5
Unit:mm

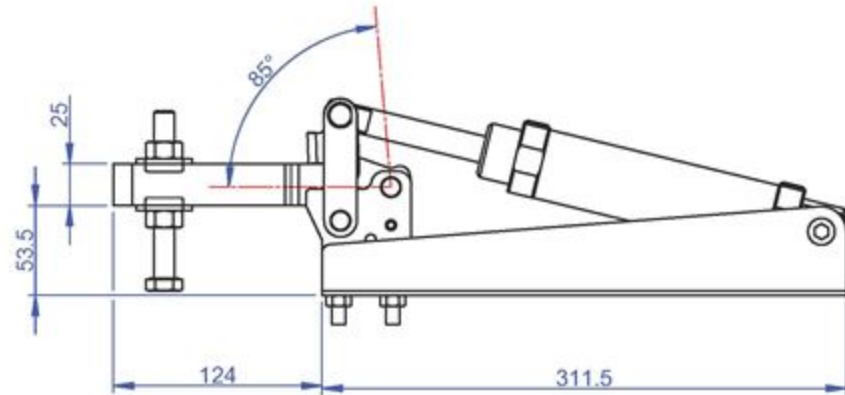
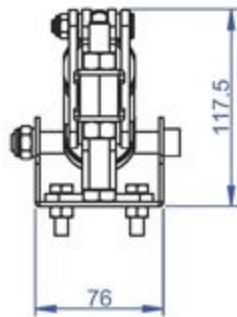
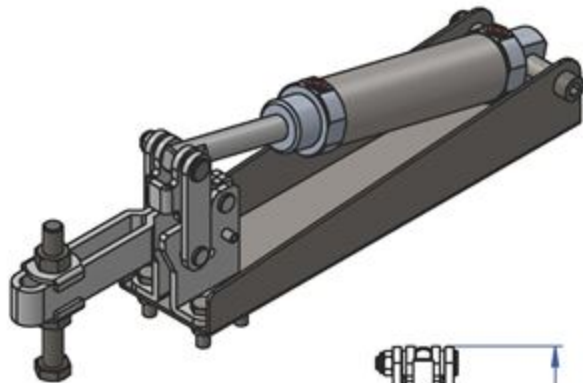
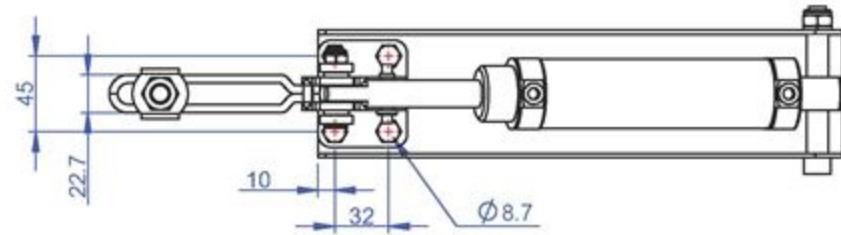
TITLE:

DWG NO.

GH-12500-A

A4

Part No:	GH-14500-A
Holding Capacity:	450 Kg
Bar Opens:	85°
Weight:	2.88 Kg
Spindle Supplied:	SA-121017
Flanged Washers:	FW-120
Air Connection Size:	1/8"NPT
Cylinder Bore:	∅ 40mm
Max Cylinder Air Pressure:	9 Kg/cm ²



Drawing Scale:1:4
Unit:mm

Good Hand UK Ltd

TITLE:

DWG NO.

GH-14500-A

A4