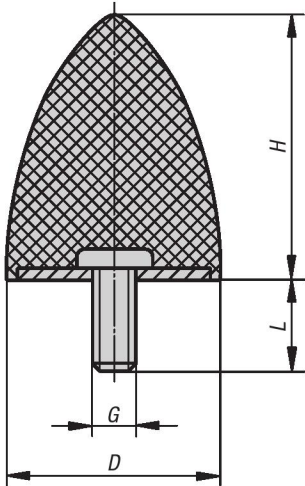


Rubber impact buffer

parabolic

METRIC
Parts



Material:

Metal parts, galvanized steel, class 5.6;
elastomer, natural rubber, medium hardness,
55° Shore A

Type:

Steel galvanized.

Part Number Example:

K0574.02002455

Note:

Rubber impact buffers excel in their robustness and the effective cushioning and abatement of shocks. Rubber impact buffers are ideally suited for elastic travel limitation and for the cushioning of shocks in the case of mobile and immobile aggregates, machines as well as stops in general.

Temperature range:

-30 °C up to +80 °C.

KIPP Rubber impact buffer, parabolic, metric

Item No.	D	H	G	L	Spring stiffness N/mm	Load N
K0574.02002455	20	24	M6	18	14	500
K0574.03003655	30	36	M8	20	15	750
K0574.03504055	35	40	M8	20	-	-
K0574.05005855	50	58	M10	28	30	3000
K0574.05006755	50	67	M8	38	30	3200
K0574.07508955	75	89	M12	37	50	8000