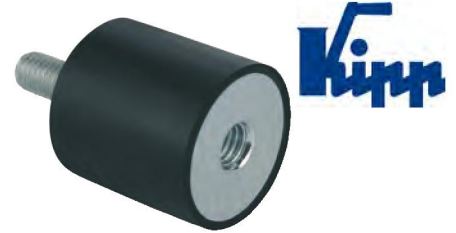
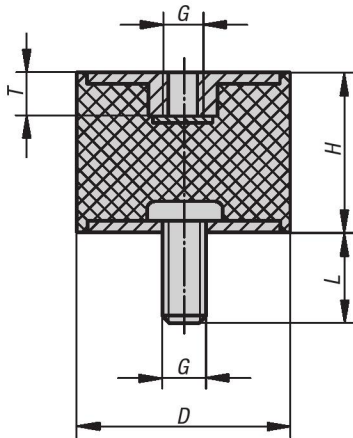


# Rubber-metal buffers

style B

METRIC  
Parts



**Material:**

Metal parts, galvanized steel, class 5.6;  
elastomer, natural rubber, medium hardness, 55° Shore A

**Type:**

Steel galvanized.

**Part Number Example:**

K0568.00800855

**Note:**

The rubber-metal buffers are widely-used construction devices for elastic bearing. They are used, among other things, as mountings for aggregates, motors, compressors, pumps and testing machines.

**Temperature range:**

-30 °C up to +80 °C.

## KIPP Rubber-metal buffer, style B, metric

Item No.	D	H	G	L	T	Spring stiffness N/mm	Load N
K0568.00800855	8	8	M3	6	3	35	17
K0568.01001055	10	10	M4	10	4	75	75
K0568.01001555	10	15	M4	10	4	50	60
K0568.01500855	15	10	M4	10	4	130	130
K0568.01501555	15	15	M4	10	4	100	120
K0568.02001555	20	15	M6	18	6	325	390
K0568.02002055	20	20	M6	18	6	130	260
K0568.02002555	20	25	M6	18	6	95	210
K0568.02501555	25	15	M6	18	6	333	399
K0568.02502055	25	20	M6	18	6	195	410
K0568.02502555	25	25	M6	18	6	117	257
K0568.02503055	25	30	M6	18	6	100	300
K0568.03001555	30	15	M8	23	8	590	708
K0568.03002055	30	20	M8	23	8	280	560
K0568.03002555	30	25	M8	23	8	180	396
K0568.03003055	30	30	M8	23	8	168	504
K0568.03004055	30	40	M8	23	8	88	308
K0568.04002055	40	20	M8	23	8	700	840
K0568.04003055	40	30	M8	23	8	273	820
K0568.04004055	40	40	M8	23	8	189	660
K0568.05002055	50	20	M10	28	10	1471	2500
K0568.05002555	50	25	M10	28	10	630	1386
K0568.05003055	50	30	M10	28	10	545	1635
K0568.05004055	50	40	M10	28	10	310	1116
K0568.05005055	50	50	M10	28	10	180	900
K0568.06004055	60	40	M10	28	10	500	1750
K0568.07004555	70	45	M10	28	10	600	2400
K0568.07502555	75	25	M12	37	12	2440	3660
K0568.07504055	75	40	M12	37	12	700	2450
K0568.07505055	75	50	M12	37	12	520	2600
K0568.07505555	75	55	M12	37	12	396	2178