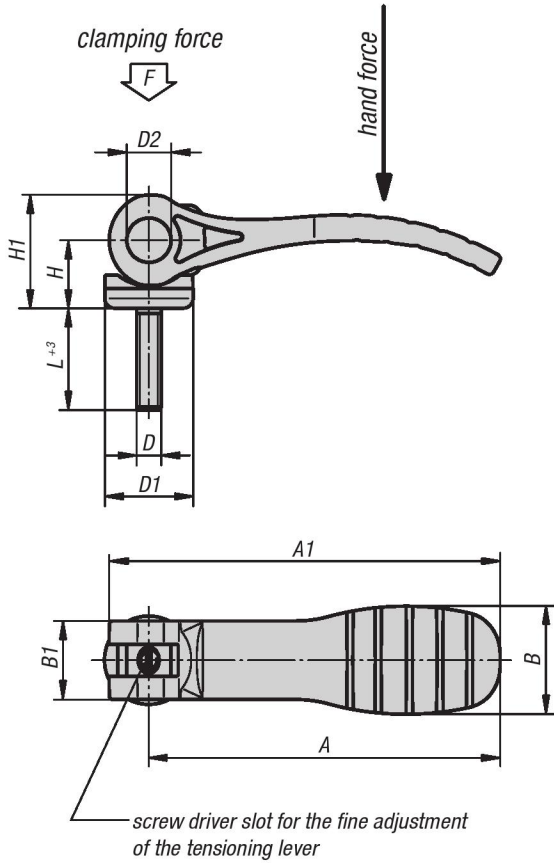




# Adjustable Cam Levers with plastic handle

with external thread, steel or stainless steel

INCH Parts METRIC Parts



**Material:**

Handles and thrust washer plastic PA 66 fibreglass reinforced;  
hinge pins stainless steel 1.4305;  
studs and washer steel quality class 5.8 or stainless steel 1.4305

**Type:**

Handle and thrust washer black;  
hinge pin natural finish;  
threaded stud and washer in steel blue chromate or stainless steel natural finish

**Part Number Example:**

K0648.15211A1X20 (include length L)

**Note:**

Adjustable Cam Levers are unique from the original Cam Lever Series in that Adjustable Cam Levers have a screwdriver slot located at the top end of the stud to allow for fine adjustment when clamping space is limited.

Plastics are subject to creeping under compression (retardation), this can cause reduced clamping force.

## KIPP Adjustable Cam Levers with plastic handle with external thread, inch

Item No. steel	Item No. stainless steel	D	D1	D2	B	B1	H	H1	A	A1	Stroke	L	Clamping force F (kN)	Hand force N
K0648.15211A1X	K0648.15311A1X	10-32	18.1	9	22	16	14	23.4	71.5	79.6	1.15	20/30/40/50	2.5	125
K0648.15211A2X	K0648.15311A2X	1/4-20	18.1	9	22	16	14	23.4	71.5	79.6	1.15	20/30/40/50	2.5	125
K0648.25211A3X	K0648.25311A3X	5/16-18	27.1	11	33	24.2	16.2	27.7	100	110	1.5	25/30/40/50	5	170
K0648.25211A4X	K0648.25311A4X	3/8-16	27.1	11	33	24.2	16.2	27.7	100	110	1.5	25/30/40/50	5	170

## KIPP Adjustable Cam Levers with plastic handle with external thread, metric

Item No. steel	Item No. stainless steel	D	D1	D2	B	B1	H	H1	A	A1	Stroke	L	Clamping force F (kN)	Hand force N
K0648.1521105X	K0648.1531105X	M5	18,1	9	22	16	14	23,4	71,5	79,6	1,15	20/30/40/50	2,5	125
K0648.1521106X	K0648.1531106X	M6	18,1	9	22	16	14	23,4	71,5	79,6	1,15	20/30/40/50	2,5	125
K0648.2521108X	K0648.2531108X	M8	27,1	11	33	24	16,2	27,7	100	110	1,5	25/30/40/50	5	170
K0648.2521110X	K0648.2531110X	M10	27,1	11	33	24	16,2	27,7	100	110	1,5	25/30/40/50	5	170