



# Spring Plungers

push fit, with o-ring seal

METRIC  
Parts



**Material:**

Body, spring and ball in stainless steel,  
o-ring NBR

**Type:**

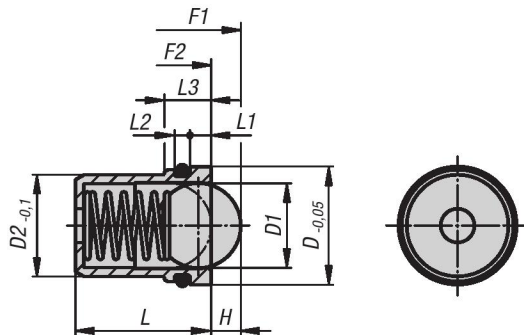
Body natural finish,  
ball hardened, natural finish,  
o-ring black

**Part Number Example:**

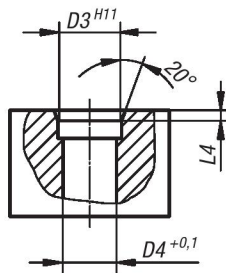
K0582.05

**Note:**

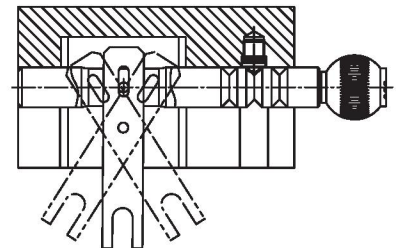
The KIPP Push-Fit Spring Plunger with o-ring was created for overhead vertical installations. The plunger can easily be installed by hand or using simple tools. The unique o-ring design holds the plunger in place and prevents it falling out.



Assembly dimensions



Application Diagram:



## KIPP Spring Plungers push fit, with o-ring seal, metric

Item No.	D	D1	D2	D3	D4	H	L	L1	L2	L3	L4	Spring force initial pressure F1 approx. N	Spring force final pressure F2 approx. N
K0582.05	4,95	3	4	5	4,1	0,8	5	1	0,7	2,3	0,7	3	7
K0582.06	5,95	4	5	6	5,1	1	6	1	0,7	2,3	0,7	4	7
K0582.08	7,95	5	6	8	6,1	1,5	7	1,5	1,2	3,7	1	6	12
K0582.10	9,95	6,5	8	10	8,1	1,8	9	2	1,2	4,2	1,5	6	12
K0582.12	11,95	8	10	12	10,1	2,7	13,5	2,5	1,8	5,3	2	10	20
K0582.14	13,95	10	12	14	12,1	3,5	16	2,5	1,8	5,5	2	15	25