

UNI lock clamping pin system size 50 mm

Item description/product images



Description

Material:

Steel.

Version:

Hardened and black oxidised.

Contact faces ground.

Note:

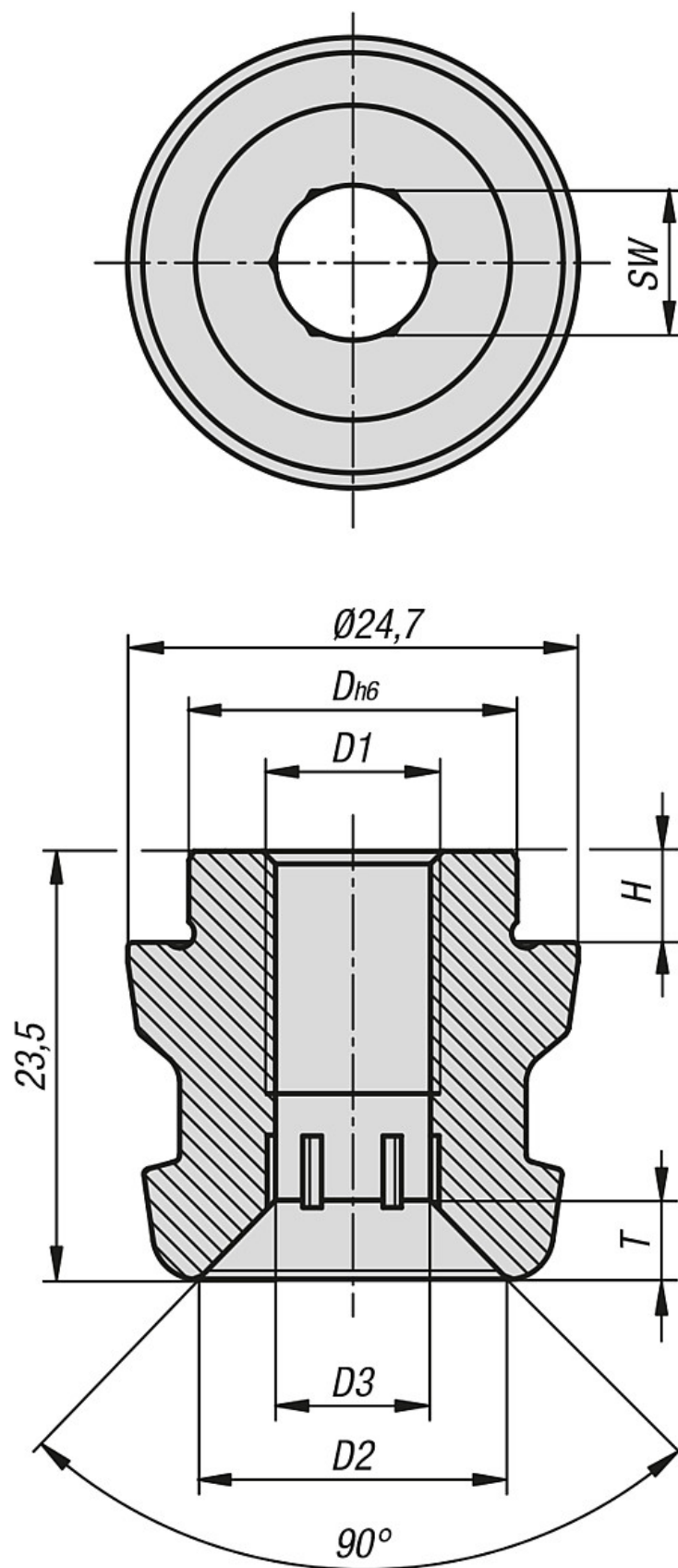
The UNI lock clamping bolt is suitable for clamping and positioning workpieces and fixtures. Clamping bolts are screwed onto the exchange element and adapted to the various basic modules.

K1121



UNI lock clamping pin system size 50 mm

Drawings



UNI lock clamping pin system size 50 mm

Overview of items

UNI lock clamping pin, system size 50 mm

Order No.	Design	D1	D	D2	D3	H	T	SW
K1121.125180510	A	M10	18	16,5	9	5	5	8