

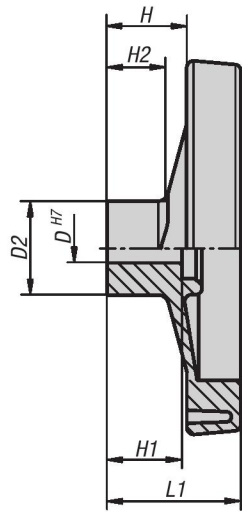
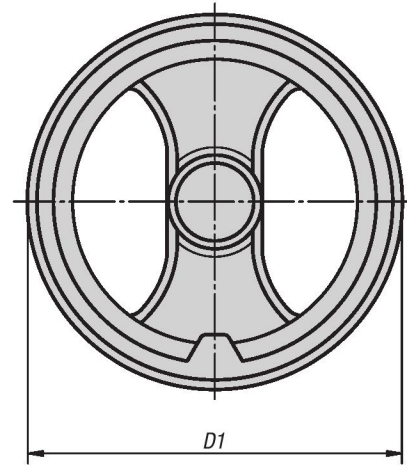
Handwheels 2-spoke

plastic

INCH
Parts

METRIC
Parts

New Item



Material:

Handwheel reinforced and stabilised polyamide.
Centre plugs polyamide. Tapped bushing steel.

Type:

Handwheel oil and grease resistant, black (RAL 9011), satin finish.
Centre plugs, gray (RAL 7035 cod. 13).
Through bushing black oxide finish or galvanized (Inch versions).

Part Number Example:

K0725.0080X08

Note:

The tolerance H7 for the bore D in the drawing is only for metric handwheels. For inch handwheels the tolerance is H10.

On request:

Other cap colors, special versions.

KIPP Handwheels 2-spoke, plastic, inch

Item No.	D	D1	D2	H	H1	H2	L1
K0725.0080XCN	.312	80	24.5	20	20	16	34
K0725.0100XCO	.375	99	28	25.5	24	20	42
K0725.0100XCQ	.625	99	28	25.5	24	20	42
K0725.0130XCN	.312	129	32	30	24	21	50
K0725.0130XCO	.375	129	32	30	24	21	50
K0725.0160XCO	.375	159	40	33	32	22	57
K0725.0160XCP	.500	159	40	33	32	22	57
K0725.0160XCQ	.625	159	40	33	32	22	57
K0725.0200XCO	.375	198	51	31	32	17.5	60
K0725.0200XCQ	.625	198	51	31	32	17.5	60
K0725.0250XCQ	.625	252	55.5	39.5	36	24	71

KIPP Handwheels 2-spoke, plastic, metric

Item No.	D	D1	D2	H	H1	H2	L1
K0725.0080X08	8	80	24,5	20	20	16	34
K0725.0080X10	10	80	24,5	20	20	16	34
K0725.0100X10	10	99	28	25,5	24	20	42
K0725.0100X12	12	99	28	25,5	24	20	42
K0725.0130X12	12	129	32	30	24	21	50
K0725.0130X14	14	129	32	30	24	21	50
K0725.0160X14	14	159	40	33	32	22	57
K0725.0160X16	16	159	40	33	32	22	57
K0725.0200X16	16	198	51	31	32	17,5	60
K0725.0200X20	20	198	51	31	32	17,5	60
K0725.0250X20	20	252	55,5	39,5	36	24	71
K0725.0250X24	24	252	55,5	39,5	36	24	71
K0725.0345X20	20	346	67,5	42	32	24	79

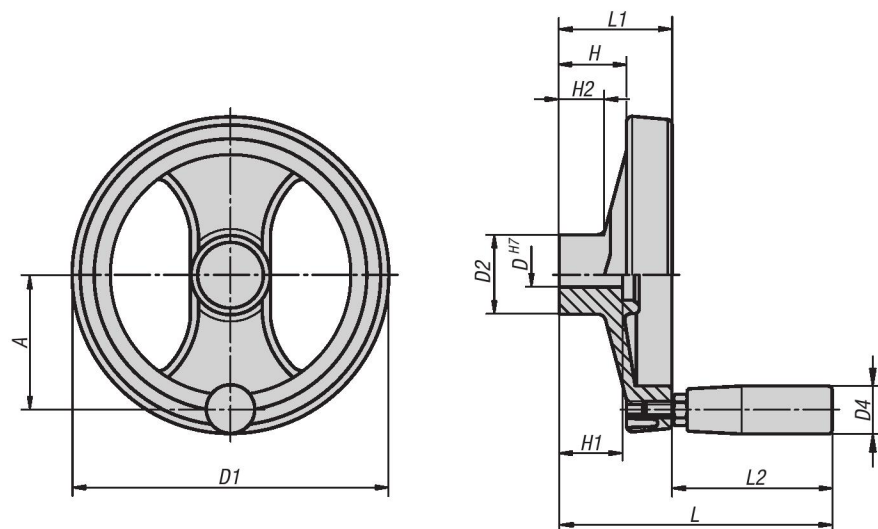
Handwheels 2-spoke

plastic, with revolving grip

INCH
Parts

METRIC
Parts

New Item



Material:

Handwheel reinforced and stabilised polyamide.
Centre plugs polyamide.
Tapped bushing steel. Tapped insert for cylinder grip brass.

Type:

Handwheel oil and grease resistant, black (RAL 9011), satin finish.
Centre plugs, gray (RAL 7035 cod. 13).
Through bushing black oxide finish or galvanized (Inch versions).

Part Number Example:

K0725.4080X08

Note:

The tolerance H7 for the bore D in the drawing is only for metric handwheels. For inch handwheels the tolerance is H10.

On request:

Other cap colors, special versions.

KIPP Handwheels 2-spoke, plastic, with revolving grip, inch

Item No.	D	D1	D2	D4	H	H1	H2	A	L	L1	L2
K0725.4080XCN	.312	80	24.5	20	20	20	16	30	85	34	51
K0725.4100XCO	.375	99	28	20	25.5	24	20	38	93	43	51
K0725.4100XCP	.500	99	28	20	25.5	24	20	38	93	43	51
K0725.4130XCN	.312	129	32	23	30	24	21	55	112	50	62
K0725.4130XCO	.375	129	32	23	30	24	21	55	112	50	62
K0725.4160XCO	.375	159	40	23	33	32	22	66	119	57	62
K0725.4160XCP	.500	159	40	23	33	32	22	66	119	57	62
K0725.4160XCQ	.625	159	40	23	33	32	22	66	119	57	62
K0725.4200XCQ	.625	198	51	26	31	32	17.5	82	141	60	81
K0725.4250XCR	.750	252	55.5	27	39.5	36	24	113	163	71	92

KIPP Handwheels 2-spoke, plastic, with revolving grip, metric

Item No.	D	D1	D2	D4	H	H1	H2	A	L	L1	L2
K0725.4080X08	8	80	24,5	20	20	20	16	30	85	34	51
K0725.4080X10	10	80	24,5	20	20	20	16	30	85	34	51
K0725.4100X10	10	99	28	20	25,5	24	20	38	93	43	51
K0725.4100X12	12	99	28	20	25,5	24	20	38	93	43	51
K0725.4130X12	12	129	32	23	30	24	21	55	112	50	62
K0725.4130X14	14	129	32	23	30	24	21	55	112	50	62
K0725.4160X14	14	159	40	23	33	32	22	66	119	57	62
K0725.4160X16	16	159	40	23	33	32	22	66	119	57	62
K0725.4200X16	16	198	51	26	31	32	17,5	82	141	60	81
K0725.4200X20	20	198	51	26	31	32	17,5	82	141	60	81
K0725.4250X20	20	252	55,5	27	39,5	36	24	113	163	71	92
K0725.4250X24	24	252	55,5	27	39,5	36	24	113	163	71	92
K0725.4345X20	20	346	67,5	27	42	32	24	146	171	79	92

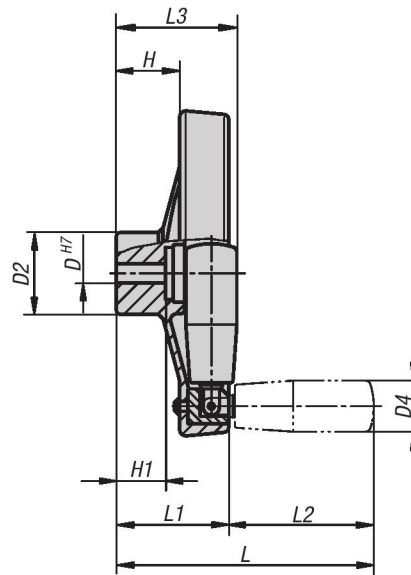
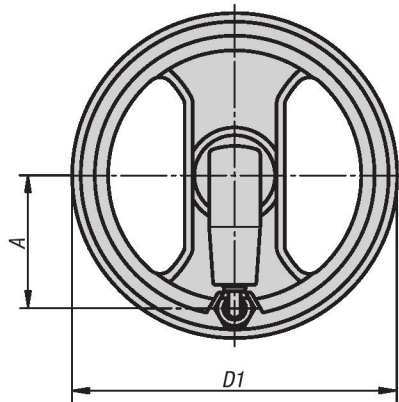


Handwheels 2-spoke

plastic, with fold-down grip

INCH Parts METRIC Parts

New Item



Material:

Handwheel reinforced and stabilised polyamide.
Centre plugs polyamide.
Tapped bushing and insert for cylinder grip steel.

Type:

Handwheel oil and grease resistant, black (RAL 9011), satin finish.
Centre plugs, gray (RAL 7035 cod. 13).
Tapped bushing and insert for folding grip black oxide finish or galvanized (Inch versions).

Part Number Example:

K0725.6130X12

Note:

The tolerance H7 for the bore D in the drawing is only for metric handwheels. For inch handwheels the tolerance is H10.

On request:

Other cap colors, special versions.

KIPP Handwheels 2-spoke, plastic, with fold-down grip, inch

Item No.	D	D1	D2	D4	A	H	H1	L	L1	L2	L3
K0725.6130XCN	.312	129	32	20	51	29	20	111	52	59	53
K0725.6130XCO	.375	129	32	20	51	29	20	111	52	59	53
K0725.6160XCO	.375	159	40	25	65	31	24	126	55	71	59
K0725.6160XCP	.500	159	40	25	65	31	24	126	55	71	59
K0725.6200XCP	.500	200	54.5	27	80	33	28	160	69	91	69

KIPP Handwheels 2-spoke, plastic, with fold-down grip, metric

Item No.	D	D1	D2	D4	A	H	H1	L	L1	L2	L3
K0725.6130X12	12	129	32	20	51	29	20	111	52	59	53
K0725.6130X14	14	129	32	20	51	29	20	111	52	59	53
K0725.6160X14	14	159	40	25	65	24	24	126	55	71	59
K0725.6160X16	16	159	40	25	65	24	24	126	55	71	59
K0725.6200X16	16	200	54,5	27	80	33	28	160	69	91	69
K0725.6200X20	20	200	54,5	27	80	33	28	160	69	91	69
K0725.6345X20	20	346	67,5	27	148	43,5	32	144	80	91	80