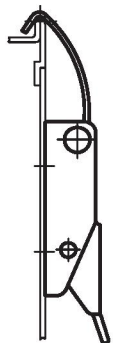
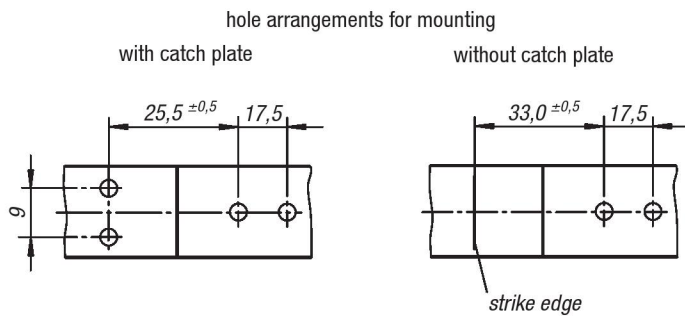
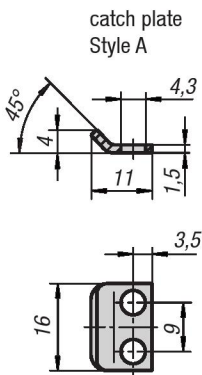
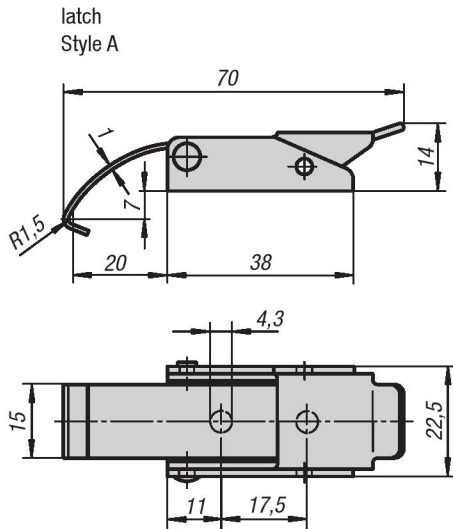




Latches

with spring clip

METRIC
Parts



Material:
Steel or stainless steel 1.4301

Type:
Galvanized and blue chromate.
stainless steel natural finish.

Part Number Example:
Latch K0043.1430701
Catch plate K0043.9143111

Note:
Latches with spring clips for safe holding and locking of hatches, container lids, machine cladding etc. By exceeding the dead center they resist vibration. The locking force is applied by tensioning a spring clip.

The latches can be screwed down or riveted.

Order catch plates separately.

The retaining force F1 applies to the latch, not the catch plate.

KIPP Latches with spring clip, metric

Item No. steel	Item No. stainless steel	Style	Retaining force F1 N
K0043.1430701	K0043.1430702	A	500

KIPP Catch plate, metric

Item No. steel	Item No. stainless steel	Style
K0043.9143111	K0043.9143112	A