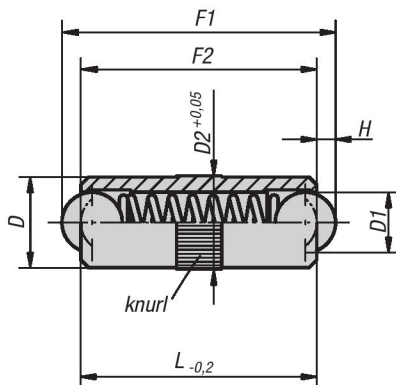




Spring Plungers

smooth surface, double-sided

METRIC
Parts



Material:

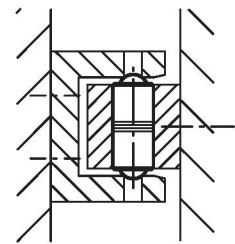
Body in brass, balls and spring in stainless steel

Type:

Balls hardened, natural finish

Part Number Example:

K0337.10



KIPP Spring Plungers smooth surface, double-sided, metric

| Item No. | D | D1 | D2 | L | H | Spring force initial pressure F1 approx. N | Spring force final pressure F2 approx. N |
|----------|----|----|-------|----|-----|--|--|
| K0337.04 | 4 | 3 | 4,05 | 10 | 0,9 | 3 | 7 |
| K0337.05 | 5 | 4 | 5,05 | 12 | 1,2 | 4 | 8 |
| K0337.06 | 6 | 5 | 6,05 | 16 | 1,6 | 6 | 10 |
| K0337.08 | 8 | 6 | 8,05 | 20 | 2 | 8 | 12 |
| K0337.10 | 10 | 8 | 10,05 | 24 | 2,9 | 10 | 16 |