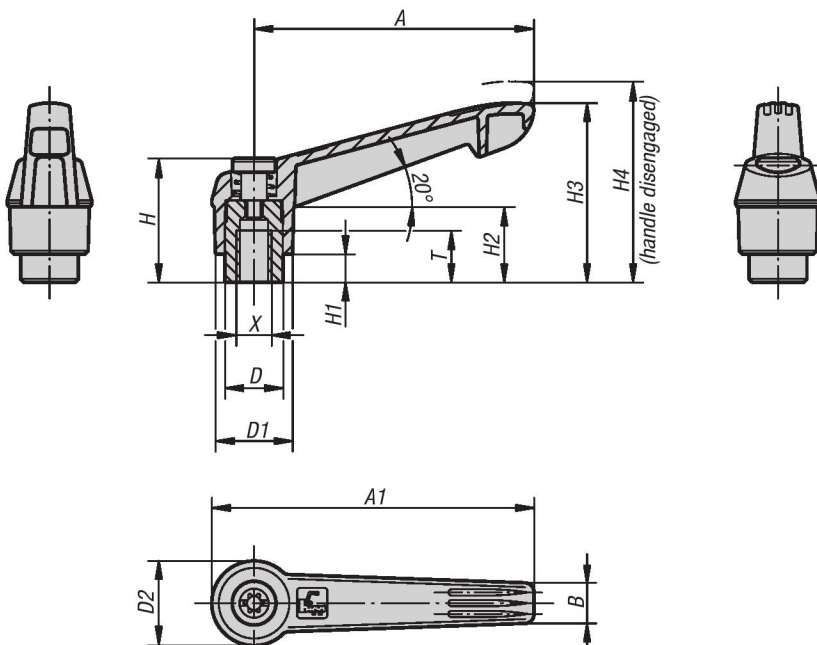




Adjustable Handles

Modern Design Style, plastic, inserts and internal components in stainless steel, internal thread

INCH Parts METRIC Parts



For many people the Novo-Grip Adjustable Handle represents the key to secure and comfortable gripping. This handle provides a future-oriented and powerful solution for almost any operating and clamping problem.

Material:
 Handle in glass-fibre reinforced plastic with toothed wheel in die cast zinc;
 steel parts in stainless steel 1.4305







Type:
 Steel parts natural finish.

Part Number Example:
 K0270.1A086 (handle color signal green)

Note:
 Δ Add the desired handle color here

On request:
 Other internal threads and special versions.
 Dimension "H1" can be produced in other lengths at an additional charge.



black gray Δ = 1  RAL 7021	orange Δ = 2  RAL 2004	signal green Δ = 86  RAL 6032	traffic red Δ = 84  RAL 3020	bright yellow Δ = 16  RAL 1021	traffic blue Δ = 87  RAL 5017
---	---	--	---	---	--



Adjustable Handles

Modern Design Style, plastic, inserts and internal components in stainless steel, internal thread

KIPP Adjustable Handles, Modern Design Style, internal thread, components in stainless steel, inch

Item No.	Size	X	T	D	D1	D2	H	H1	H2	H3	H4	A	A1	B	No. of teeth
K0270.1A0Δ	1	10-24	9	10	13	14.5	24.5	4	15	30	33.5	40	47	7.5	16
K0270.1A1Δ	1	10-32	9	10	13	14.5	24.5	4	15	30	33.5	40	47	7.5	16
K0270.1A2Δ	1	1/4-20	9	10	13	14.5	24.5	4	15	30	33.5	40	47	7.5	16
K0270.2A2Δ	2	1/4-20	12	13.5	18	19.5	28.5	6.5	17.5	41.5	45.5	65	75	9.5	20
K0270.2A3Δ	2	5/16-18	12	13.5	18	19.5	28.5	6.5	17.5	41.5	45.5	65	75	9.5	20
K0270.3A3Δ	3	5/16-18	14	16	21.5	23	37	10	24	53.5	58	80	91.5	11	22
K0270.3A4Δ	3	3/8-16	14	16	21.5	23	37	10	24	53.5	58	80	91.5	11	22
K0270.4A4Δ	4	3/8-16	17	19	25.5	27.5	43	10	26	61	66	95	109	13	24
K0270.4A5Δ	4	1/2-13	17	19	25.5	27.5	43	10	26	61	66	95	109	13	24
K0270.5A5Δ	5	1/2-13	23	23	30	32.5	49	12	33	72	77	110	126	15.5	26
K0270.5A6Δ	5	5/8-11	23	23	30	32.5	49	12	33	72	77	110	126	15.5	26

KIPP Adjustable Handles, Modern Design Style, internal thread, components in stainless steel, metric

Item No.	Size	X	T	D	D1	D2	H	H1	H2	H3	H4	A	A1	B	No. of teeth
K0270.104Δ	1	M4	9	10	13	14,5	24,5	4	15	30	33,5	40	47	7,5	16
K0270.105Δ	1	M5	9	10	13	14,5	24,5	4	15	30	33,5	40	47	7,5	16
K0270.106Δ	1	M6	9	10	13	14,5	24,5	4	15	30	33,5	40	47	7,5	16
K0270.206Δ	2	M6	12	13,5	18	19,5	28,5	6,5	17,5	41,5	45,5	65	75	9,5	20
K0270.208Δ	2	M8	12	13,5	18	19,5	28,5	6,5	17,5	41,5	45,5	65	75	9,5	20
K0270.308Δ	3	M8	14	16	21,5	23	37	10	24	53,5	58	80	91,5	11	22
K0270.310Δ	3	M10	14	16	21,5	23	37	10	24	53,5	58	80	91,5	11	22
K0270.410Δ	4	M10	17	19	25,5	27,5	43	10	26	61	66	95	109	13	24
K0270.412Δ	4	M12	17	19	25,5	27,5	43	10	26	61	66	95	109	13	24
K0270.512Δ	5	M12	23	23	30	32,5	49	12	33	72	77	110	126	15,5	26
K0270.516Δ	5	M16	23	23	30	32,5	49	12	33	72	77	110	126	15,5	26



Adjustable Handles

Modern Design Style, plastic, bolts and internal components in stainless steel, external thread

INCH Parts METRIC Parts



For many people the Novo-Grip Adjustable Handle represents the key to secure and comfortable gripping. This handle provides a future-oriented and powerful solution for almost any operating and clamping problem.

Material:

Handle in glass-fibre reinforced plastic with toothed wheel in die cast zinc; steel parts in stainless steel 1.4305

Type:

Steel parts natural finish.

Part Number Example:

K0270.1A01X15
(handle black gray;
include length L)

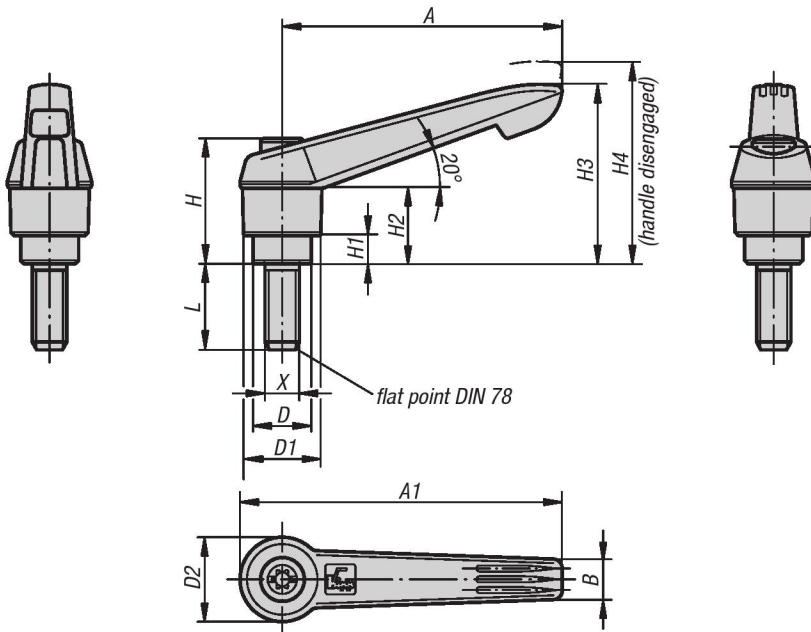
Note:

Δ Add the desired handle color here

On request:

Other external threads, screw lengths and special versions.

Dimension "H1" can be produced in other lengths at an additional charge.



black gray Δ = 1  RAL 7021	orange Δ = 2  RAL 2004	signal green Δ = 86  RAL 6032	traffic red Δ = 84  RAL 3020	bright yellow Δ = 16  RAL 1021	traffic blue Δ = 87  RAL 5017
---	---	--	---	---	--

Adjustable Handles

Modern Design Style, plastic, bolts and internal components in stainless steel, external thread



KIPP Adjustable Handles, Modern Design Style, external thread, components in stainless steel, inch

Item No.	Size	X	D	D1	D2	H	H1	H2	H3	H4	A	A1	B	No. of teeth	L
K0270.1A0ΔX	1	10-24	10	13	14.5	24.5	4	15	30	33.5	40	47	7.5	16	15/20/25
K0270.1A1ΔX	1	10-32	10	13	14.5	24.5	4	15	30	33.5	40	47	7.5	16	15/20/25
K0270.1A2ΔX	1	1/4-20	10	13	14.5	24.5	4	15	30	33.5	40	47	7.5	16	10/15/20/25/30/40/50
K0270.2A2ΔX	2	1/4-20	13.5	18	19.5	28.5	6.5	17.5	41.5	45.5	65	75	9.5	20	15/20/25/30/40/50/60
K0270.2A3ΔX	2	5/16-18	13.5	18	19.5	28.5	6.5	17.5	41.5	45.5	65	75	9.5	20	15/20/25/30/40/50/60
K0270.2A4ΔX	2	3/8-16	13.5	18	19.5	28.5	6.5	17.5	41.5	45.5	65	75	9.5	20	20/25/30/40/50/60
K0270.3A3ΔX	3	5/16-18	16	21.5	23	37	10	24	53.5	58	80	91.5	11	22	20/25/30/40/50/60
K0270.3A4ΔX	3	3/8-16	16	21.5	23	37	10	24	53.5	58	80	91.5	11	22	20/25/30/40/50/60
K0270.4A5ΔX	4	1/2-13	19	25.5	27.5	43	10	26	61	66	95	109	13	24	25/30/40/50/60
K0270.5A6ΔX	5	5/8-11	23	30	32.5	49	12	33	72	77	110	126	15.5	26	30/40/50/60

KIPP Adjustable Handles, Modern Design Style "Novo-Grip", external thread, components in stainless steel, metric

Item No.	Size	X	D	D1	D2	H	H1	H2	H3	H4	A	A1	B	No. of teeth	L
K0270.105ΔX	1	M5	10	13	14,5	24,5	4	15	30	33,5	40	47	7,5	16	10/15/20/25
K0270.106ΔX	1	M6	10	13	14,5	24,5	4	15	30	33,5	40	47	7,5	16	10/15/20/25/30/40/50
K0270.206ΔX	2	M6	13,5	18	19,5	28,5	6,5	17,5	41,5	45,5	65	75	9,5	20	15/20/25/30/40/50/60
K0270.208ΔX	2	M8	13,5	18	19,5	28,5	6,5	17,5	41,5	45,5	65	75	9,5	20	15/20/25/30/40/50/60
K0270.210ΔX	2	M10	13,5	18	19,5	28,5	6,5	17,5	41,5	45,5	65	75	9,5	20	20/25/30/40/50/60
K0270.308ΔX	3	M8	16	21,5	23	37	10	24	53,5	58	80	91,5	11	22	20/25/30/40/50/60
K0270.310ΔX	3	M10	16	21,5	23	37	10	24	53,5	58	80	91,5	11	22	20/25/30/40/50/60
K0270.412ΔX	4	M12	19	25,5	27,5	43	10	26	61	66	95	109	13	24	25/30/40/50/60
K0270.516ΔX	5	M16	23	30	32,5	49	12	33	72	77	110	126	15,5	26	30/40/50/60