



Spring Plungers

LONG-LOK, ball style, slotted, steel

INCH Parts METRIC Parts

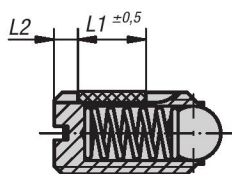
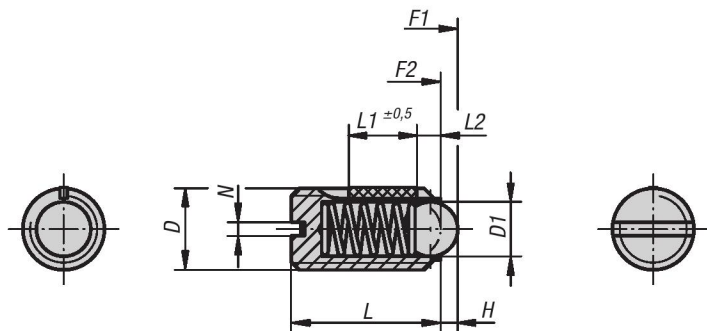


Material:
 Body in steel quality class 5.8.
 Ball in steel.
 Spring in spring steel class D.

LONG-LOK thread system nylon

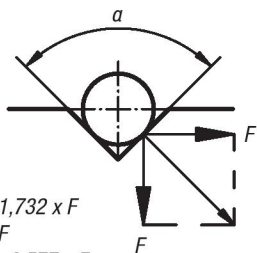
Type:
 Black oxide finish.
 Ball hardened.

Part Number Example:
 K0321.AD



applies to models with
 D = M3, M4, M5 and M6
 6-32, 8-36, 8-32, 10-32,
 1/4-28, 1/4-20

L2 = approx. 2x thread pitch



$a = 60^\circ, F' = 1,732 \times F$
 $a = 90^\circ, F' = F$
 $a = 120^\circ, F' = 0,577 \times F$

KIPP Spring Plungers, LONG-LOK, ball style, slotted, steel, standard end pressure, inch

Item No.	D	D1	L	L1	H	N	Spring force initial pressure F1 approx. N	Spring force final pressure F2 approx. N	Tightening torque approx. Nm	Loosening torque, after third unscrewing approx. Nm
K0321.AD	6-32	1.5	7	4	0.4	0.4	1.5	3	0.10	0.07
K0321.AG	8-36	2.5	9	5	0.8	0.6	4	10	0.18	0.12
K0321.AE	8-32	2.5	9	5	0.8	0.6	4	10	0.18	0.12
K0321.A1	10-32	3	12	6	0.9	0.8	6	11	0.12	0.08
K0321.AJ	1/4-28	3.5	14	7	1	1	9	13	0.43	0.21
K0321.A2	1/4-20	3.5	14	7	1	1	9	13	0.43	0.21
K0321.A3	5/16-18	5	16	8	1.5	1.2	15	30	1.09	0.37
K0321.A4	3/8-16	6	19	9	2	1.6	20	35	1.36	0.62
K0321.A5	1/2-13	8	22	10	2.5	2	30	55	2.03	1.36
K0321.A6	5/8-11	10	24	14	3.5	2.5	65	125	3.95	2.95



Spring Plungers

LONG-LOK, ball style, slotted, steel

KIPP Spring Plungers, LONG-LOK, ball style, slotted, steel, heavy end pressure, inch

Item No.	D	D1	L	L1	H	N	Spring force initial pressure F1 approx. N	Spring force final pressure F2 approx. N	Tightening torque approx. Nm	Loosening torque, after third unscrewing approx. Nm
K0321.2A1	10-32	3	12	6	0.9	0.8	19	30	0.12	0.08
K0321.2AJ	1/4-28	3.5	14	7	1	1	28	40	0.43	0.21
K0321.2A2	1/4-20	3.5	14	7	1	1	28	40	0.43	0.21
K0321.2A3	5/16-18	5	16	8	1.5	1.2	47	73	1.09	0.37
K0321.2A4	3/8-16	6	19	9	2	1.6	66	100	1.36	0.62
K0321.2A5	1/2-13	8	22	10	2.5	2	66	120	2.03	1.36
K0321.2A6	5/8-11	10	24	14	3.5	2.5	90	180	3.95	2.95

KIPP Spring Plungers, LONG-LOK, ball style, slotted, steel, standard end pressure, metric

Item No.	D	D1	L	L1	H	N	Spring force initial pressure F1 approx. N	Spring force final pressure F2 approx. N	Tightening torque approx. Nm	Loosening torque, after third unscrewing approx. Nm
K0321.03	M3	1,5	7	4	0,4	0,4	1,5	3	0,10	0,07
K0321.04	M4	2,5	9	5	0,8	0,6	4	10	0,18	0,12
K0321.05	M5	3	12	6	0,9	0,8	6	11	0,12	0,08
K0321.06	M6	3,5	14	7	1	1	9	13	0,43	0,21
K0321.08	M8	5	16	8	1,5	1,2	15	30	1,09	0,37
K0321.10	M10	6	19	9	2	1,6	20	35	1,36	0,62
K0321.12	M12	8	22	10	2,5	2	30	55	2,03	1,36
K0321.16	M16	10	24	14	3,5	2,5	65	125	3,95	2,95

KIPP Spring Plungers, LONG-LOK, ball style, slotted, steel, heavy end pressure, metric

Item No.	D	D1	L	L1	H	N	Spring force initial pressure F1 approx. N	Spring force final pressure F2 approx. N	Tightening torque approx. Nm	Loosening torque, after third unscrewing approx. Nm
K0321.203	M3	1,5	7	4	0,4	0,4	5	7	0,10	0,07
K0321.204	M4	2,5	9	5	0,8	0,6	12	22	0,18	0,12
K0321.205	M5	3	12	6	0,9	0,8	19	30	0,12	0,08
K0321.206	M6	3,5	14	7	1	1	28	40	0,43	0,21
K0321.208	M8	5	16	8	1,5	1,2	47	73	1,09	0,37
K0321.210	M10	6	19	9	2	1,6	66	100	1,36	0,62
K0321.212	M12	8	22	10	2,5	2	66	120	2,03	1,36
K0321.216	M16	10	24	14	3,5	2,5	90	180	3,95	2,95