



Adjustable Handles

Modern Design Style, plastic, inserts and internal components steel, internal thread

INCH Parts METRIC Parts



For many people the Novo-Grip Adjustable Handle represents the key to secure and comfortable gripping. This handle provides a future-oriented and powerful solution for almost any operating and clamping problem.

Material:

Handle glass-fibre reinforced plastic with with toothed wheel in die cast zinc. Steel parts quality class 5.8.

Type:

Steel parts black oxide finish.

Part Number Example:

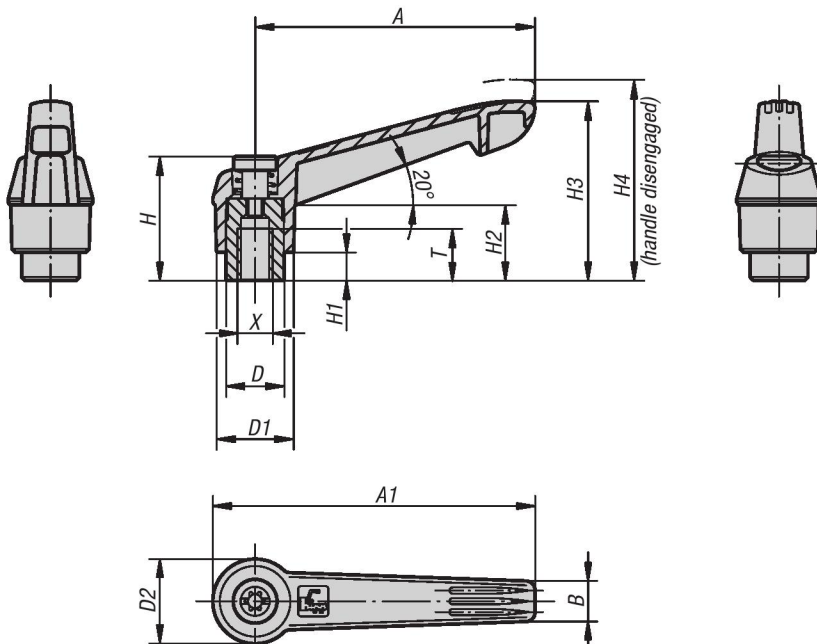
K0269.1AE86 (handle color signal green)

Note:

Δ Add the desired handle color here

On request:

Other internal threads and special versions. Dimension "H1" can be produced in other lengths at an additional charge.



lift to disengage



black gray Δ = 1  RAL 7021	orange Δ = 2  RAL 2004	signal green Δ = 86  RAL 6032	traffic red Δ = 84  RAL 3020	bright yellow Δ = 16  RAL 1021	traffic blue Δ = 87  RAL 5017
---	---	--	---	---	--



Adjustable Handles

Modern Design Style, plastic, inserts and internal components steel, internal thread

KIPP Adjustable Handles, Modern Design Style, with internal thread, components in steel, inch

Item No.	Size	X	T	D	D1	D2	H	H1	H2	H3	H4	A	A1	B	No. of teeth
K0269.1AEΔ	1	8-32	9	10	13	14.5	24.5	4	15	30	33.5	40	47	7.5	16
K0269.1A0Δ	1	10-24	9	10	13	14.5	24.5	4	15	30	33.5	40	47	7.5	16
K0269.1A1Δ	1	10-32	9	10	13	14.5	24.5	4	15	30	33.5	40	47	7.5	16
K0269.1A2Δ	1	1/4-20	9	10	13	14.5	24.5	4	15	30	33.5	40	47	7.5	16
K0269.2A2Δ	2	1/4-20	12	13.5	18	19.5	28.5	6.5	17.5	41.5	45.5	65	75	9.5	20
K0269.2A3Δ	2	5/16-18	12	13.5	18	19.5	28.5	6.5	17.5	41.5	45.5	65	75	9.5	20
K0269.3A3Δ	3	5/16-18	14	16	21.5	23	37	10	24	53.5	58	80	91.5	11	22
K0269.3A4Δ	3	3/8-16	14	16	21.5	23	37	10	24	53.5	58	80	91.5	11	22
K0269.4A4Δ	4	3/8-16	17	19	25.5	27.5	43	10	26	61	66	95	109	13	24
K0269.4A5Δ	4	1/2-13	17	19	25.5	27.5	43	10	26	61	66	95	109	13	24
K0269.5A5Δ	5	1/2-13	23	23	30	32.5	49	12	33	72	77	110	126	15.5	26
K0269.5A6Δ	5	5/8-11	23	23	30	32.5	49	12	33	72	77	110	126	15.5	26

KIPP Adjustable Handles, Modern Design Style with internal thread, components in steel, metric

Item No.	Size	X	T	D	D1	D2	H	H1	H2	H3	H4	A	A1	B	No. of teeth
K0269.104Δ	1	M4	9	10	13	14,5	24,5	4	15	30	33,5	40	47	7,5	16
K0269.105Δ	1	M5	9	10	13	14,5	24,5	4	15	30	33,5	40	47	7,5	16
K0269.106Δ	1	M6	9	10	13	14,5	24,5	4	15	30	33,5	40	47	7,5	16
K0269.206Δ	2	M6	12	13,5	18	19,5	28,5	6,5	17,5	41,5	45,5	65	75	9,5	20
K0269.208Δ	2	M8	12	13,5	18	19,5	28,5	6,5	17,5	41,5	45,5	65	75	9,5	20
K0269.308Δ	3	M8	14	16	21,5	23	37	10	24	53,5	58	80	91,5	11	22
K0269.310Δ	3	M10	14	16	21,5	23	37	10	24	53,5	58	80	91,5	11	22
K0269.410Δ	4	M10	17	19	25,5	27,5	43	10	26	61	66	95	109	13	24
K0269.412Δ	4	M12	17	19	25,5	27,5	43	10	26	61	66	95	109	13	24
K0269.512Δ	5	M12	23	23	30	32,5	49	12	33	72	77	110	126	15,5	26
K0269.516Δ	5	M16	23	23	30	32,5	49	12	33	72	77	110	126	15,5	26



Adjustable Handles

Modern Design Style, plastic, bolts and internal components in steel, external thread

INCH Parts METRIC Parts



For many people the Novo-Grip Adjustable Handle represents the key to secure and comfortable gripping. This handle provides a future-oriented and powerful solution for almost any operating and clamping problem.

Material:

Handle glass-fibre reinforced plastic with with toothed wheel in die cast zinc. Steel parts quality class 5.8.

Type:

Steel parts black oxide finish.

Part Number Example:

K0269.1A01X10
(handle black gray;
include length L)

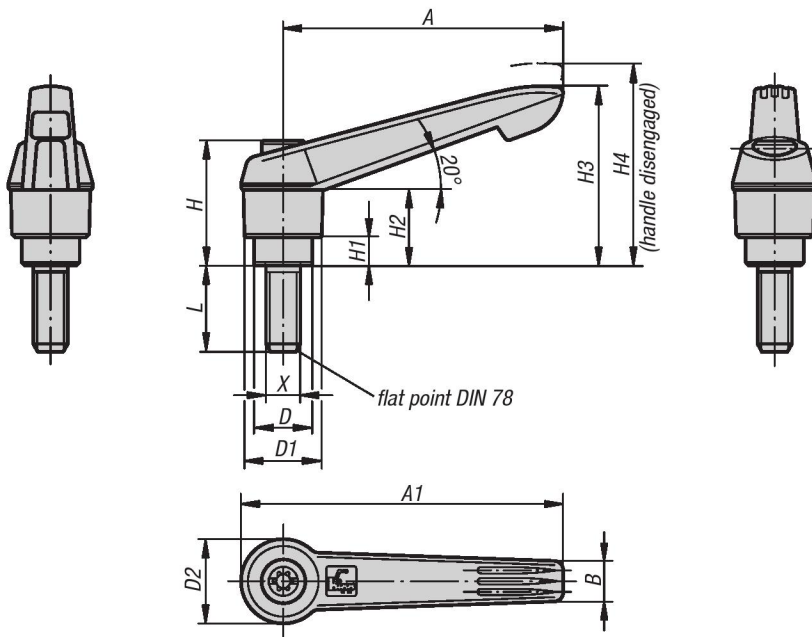
Note:

Δ Add the desired handle color here

On request:


Other external threads, screw lengths and special versions.

Dimension "H1" can be produced in other lengths at an additional charge.



lift to disengage



black gray Δ = 1  RAL 7021	orange Δ = 2  RAL 2004	signal green Δ = 86  RAL 6032	traffic red Δ = 84  RAL 3020	bright yellow Δ = 16  RAL 1021	traffic blue Δ = 87  RAL 5017
---	---	--	---	---	--



Adjustable Handles

Modern Design Style, plastic, bolts and internal components in steel, external thread

KIPP Adjustable Handles, Modern Design Style, with external thread, components in steel, inch

Item No.	Size	X	D	D1	D2	H	H1	H2	H3	H4	A	A1	B	No. of teeth	L
K0269.1A0ΔX	1	10-24	10	13	14.5	24.5	4	15	30	33.5	40	47	7.5	16	10/15/20/25/30/35/40/45/50
K0269.1A1ΔX	1	10-32	10	13	14.5	24.5	4	15	30	33.5	40	47	7.5	16	10/15/20/25/30/35/40/45/50
K0269.1A2ΔX	1	1/4-20	10	13	14.5	24.5	4	15	30	33.5	40	47	7.5	16	10/15/20/25/30/35/40/45/50
K0269.2A2ΔX	2	1/4-20	13.5	18	19.5	28.5	6.5	17.5	41.5	45.5	65	75	9.5	20	15/20/25/30/35/40/45/50/55/60
K0269.2A3ΔX	2	5/16-18	13.5	18	19.5	28.5	6.5	17.5	41.5	45.5	65	75	9.5	20	15/20/25/30/35/40/45/50/55/60
K0269.2A4ΔX	2	3/8-16	13.5	18	19.5	28.5	6.5	17.5	41.5	45.5	65	75	9.5	20	15/20/25/30/35/40/45/50/55/60
K0269.3A3ΔX	3	5/16-18	16	21.5	23	37	10	24	53.5	58	80	91.5	11	22	15/20/25/30/35/40/45/50/55/60
K0269.3A4ΔX	3	3/8-16	16	21.5	23	37	10	24	53.5	58	80	91.5	11	22	15/20/25/30/35/40/45/50/55/60
K0269.4A4ΔX	4	3/8-16	19	25.5	27.5	43	10	26	61	66	95	109	13	24	20/25/30/35/40/45/50/55/60/70/80/90
K0269.4A5ΔX	4	1/2-13	19	25.5	27.5	43	10	26	61	66	95	109	13	24	20/25/30/35/40/45/50/55/60/70/80/90
K0269.5A5ΔX	5	1/2-13	23	30	32.5	49	12	33	72	77	110	126	15.5	26	25/30/35/40/45/50/55/60/70/80/90
K0269.5A6ΔX	5	5/8-11	23	30	32.5	49	12	33	72	77	110	126	15.5	26	25/30/35/40/45/50/55/60/70/80/90

KIPP Adjustable Handles, Modern Design Style, with external thread, components in steel, metric

Item No.	Size	X	D	D1	D2	H	H1	H2	H3	H4	A	A1	B	No. of teeth	L
K0269.105ΔX	1	M5	10	13	14,5	24,5	4	15	30	33,5	40	47	7,5	16	10/15/20/25/30/35/40/45/50
K0269.106ΔX	1	M6	10	13	14,5	24,5	4	15	30	33,5	40	47	7,5	16	10/15/20/25/30/35/40/45/50
K0269.206ΔX	2	M6	13,5	18	19,5	28,5	6,5	17,5	41,5	45,5	65	75	9,5	20	15/20/25/30/35/40/45/50/55/60
K0269.208ΔX	2	M8	13,5	18	19,5	28,5	6,5	17,5	41,5	45,5	65	75	9,5	20	15/20/25/30/35/40/45/50/55/60
K0269.210ΔX	2	M10	13,5	18	19,5	28,5	6,5	17,5	41,5	45,5	65	75	9,5	20	15/20/25/30/35/40/45/50/55/60
K0269.308ΔX	3	M8	16	21,5	23	37	10	24	53,5	58	80	91,5	11	22	15/20/25/30/35/40/45/50/55/60
K0269.310ΔX	3	M10	16	21,5	23	37	10	24	53,5	58	80	91,5	11	22	15/20/25/30/35/40/45/50/55/60
K0269.410ΔX	4	M10	19	25,5	27,5	43	10	26	61	66	95	109	13	24	20/25/30/35/40/45/50/55/60/70/80/90
K0269.412ΔX	4	M12	19	25,5	27,5	43	10	26	61	66	95	109	13	24	20/25/30/35/40/45/50/55/60/70/80/90
K0269.512ΔX	5	M12	23	30	32,5	49	12	33	72	77	110	126	15,5	26	25/30/35/40/45/50/55/60/70/80/90
K0269.516ΔX	5	M16	23	30	32,5	49	12	33	72	77	110	126	15,5	26	25/30/35/40/45/50/55/60/70/80/90