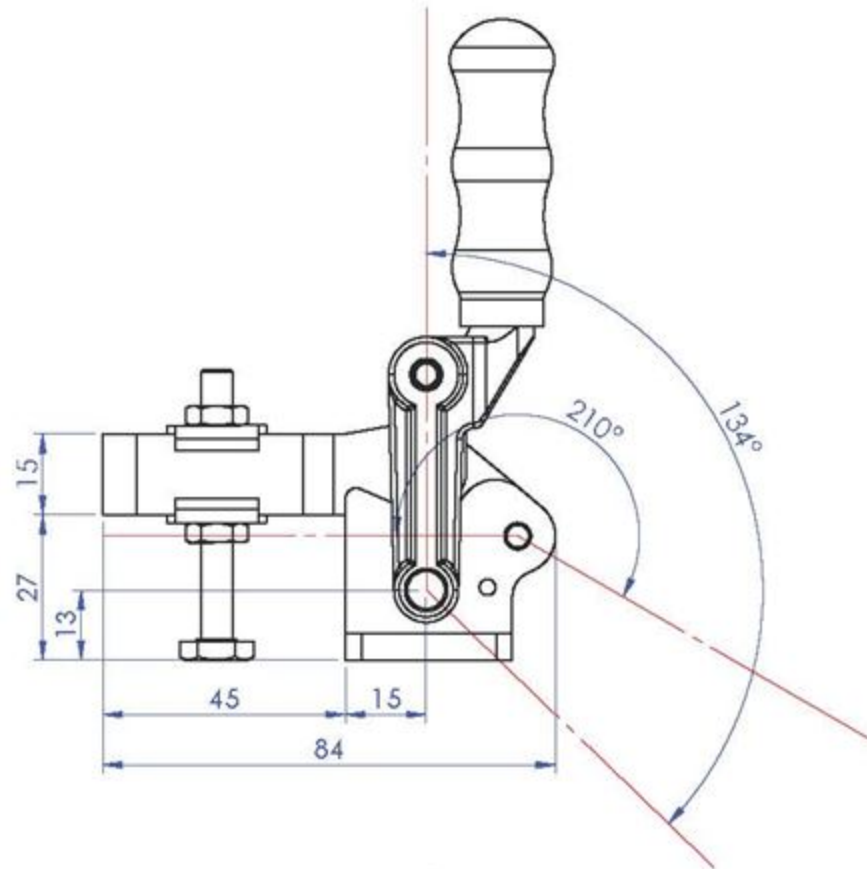
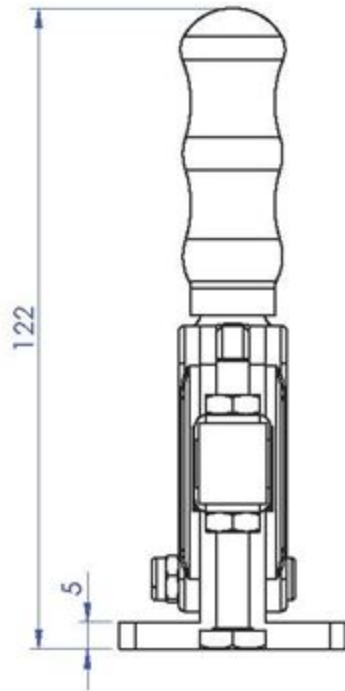
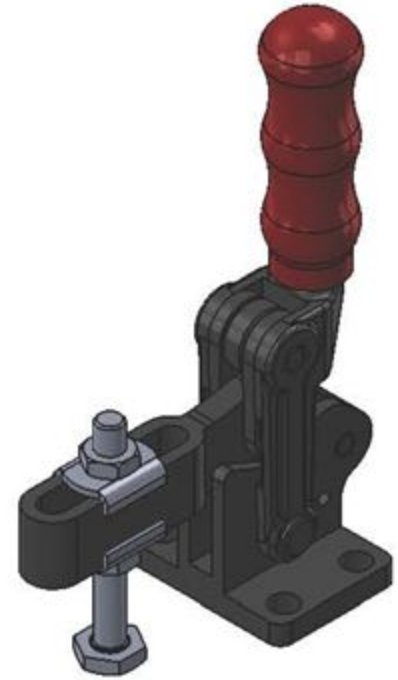
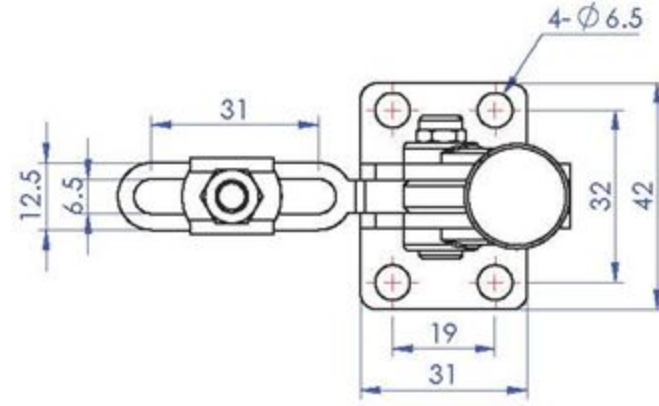


Part No:	GH-70320-B
Holding Capacity:	300Kg
Bar Opens:	134°
Handle Opens:	210°
Weight:	0.31Kg
Spindle Supplied:	SA-065010
Flanged Washers:	FW-142



Unit:mm

Scale: 1:1.5

**Good Hand UK Ltd**

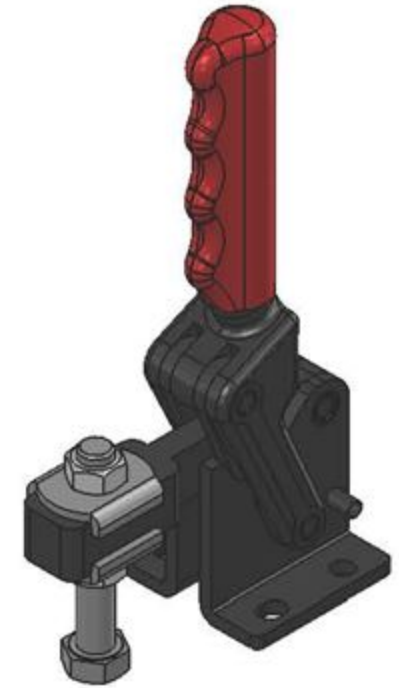
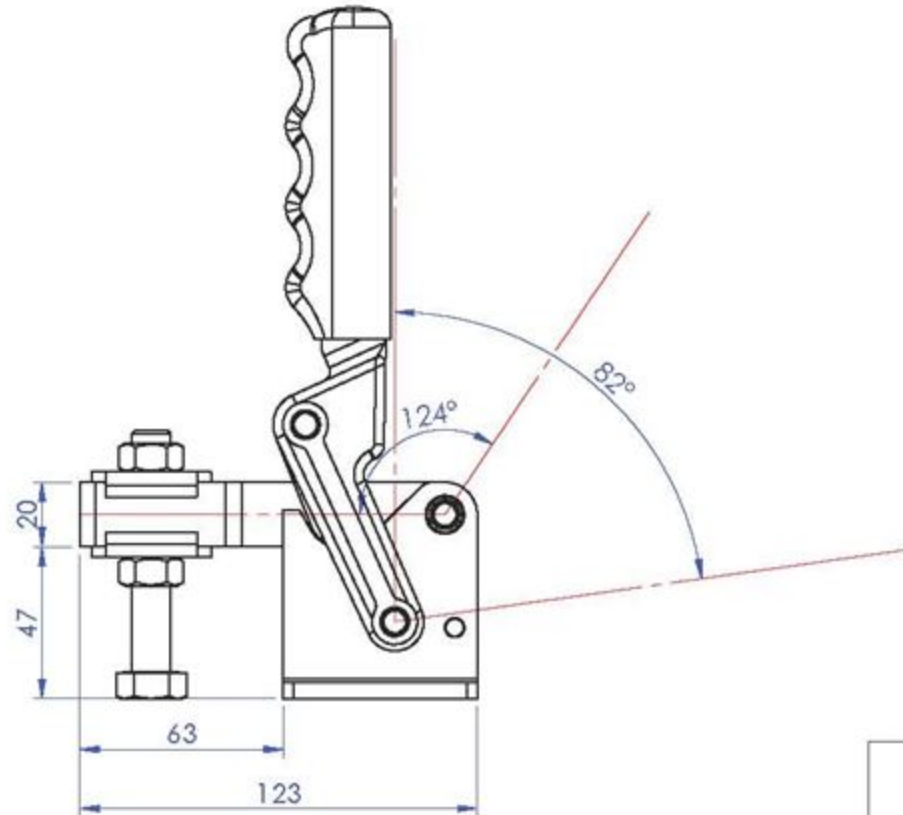
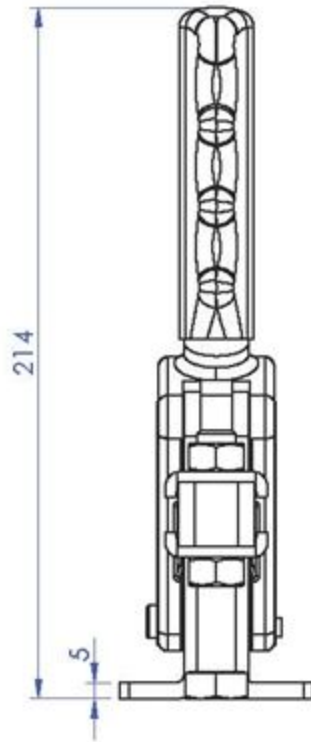
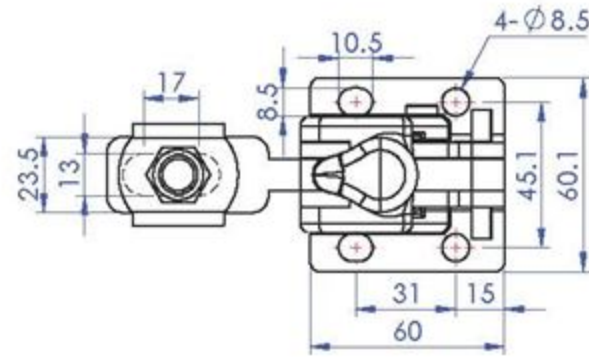
TITLE:

DWG NO.

GH-70320-B

A4

Part No:	GH-70533
Holding Capacity:	700Kg
Bar Opens:	124°
Handle Opens:	82°
Weight:	1.26Kg
Spindle Supplied:	SA-127517
Flanged Washers:	FW-120

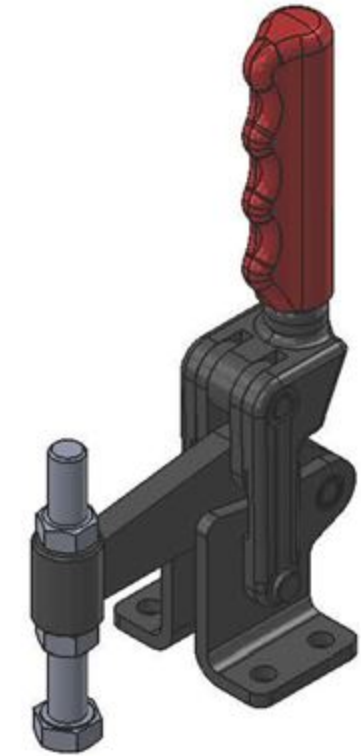
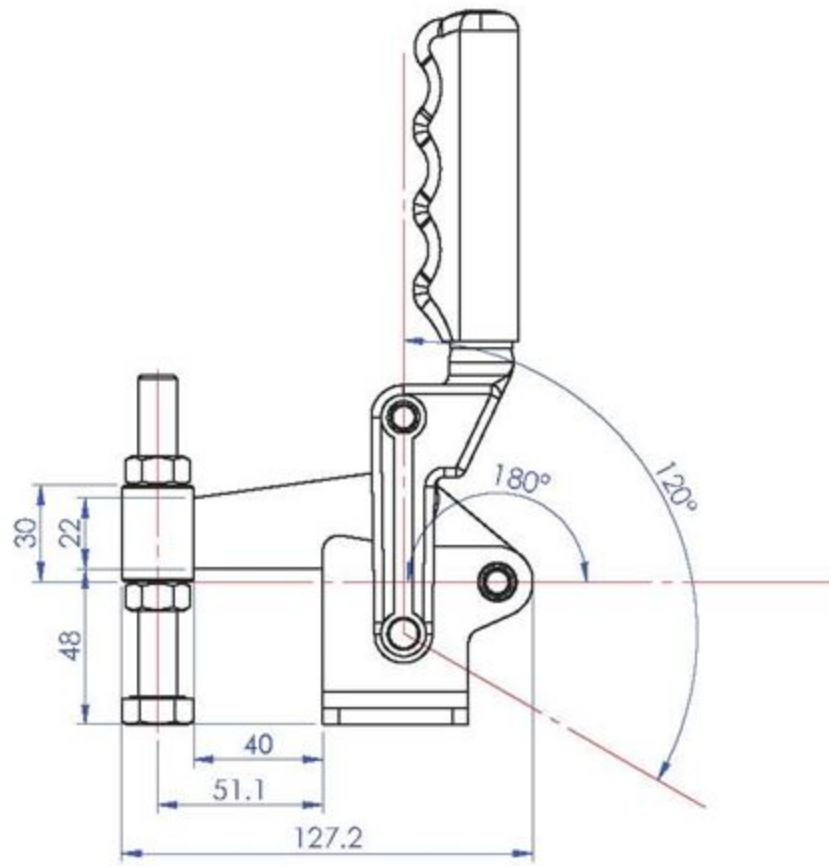
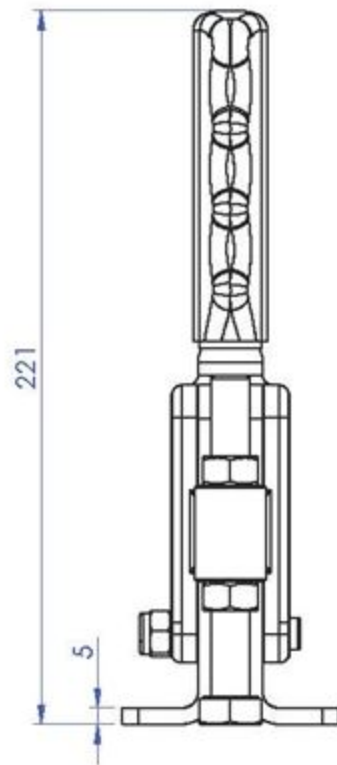
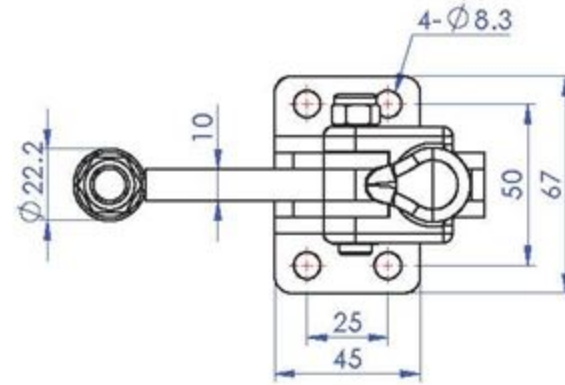


Unit:mm  
Scale: 1:2.5

**Good Hand UK Ltd**

TITLE:		
DWG NO.	GH-70533	A4

Part No:	GH-70725
Holding Capacity:	700Kg
Bar Opens:	120°
Handle Opens:	180°
Weight:	1.235Kg
Spindle Supplied:	SA-121017

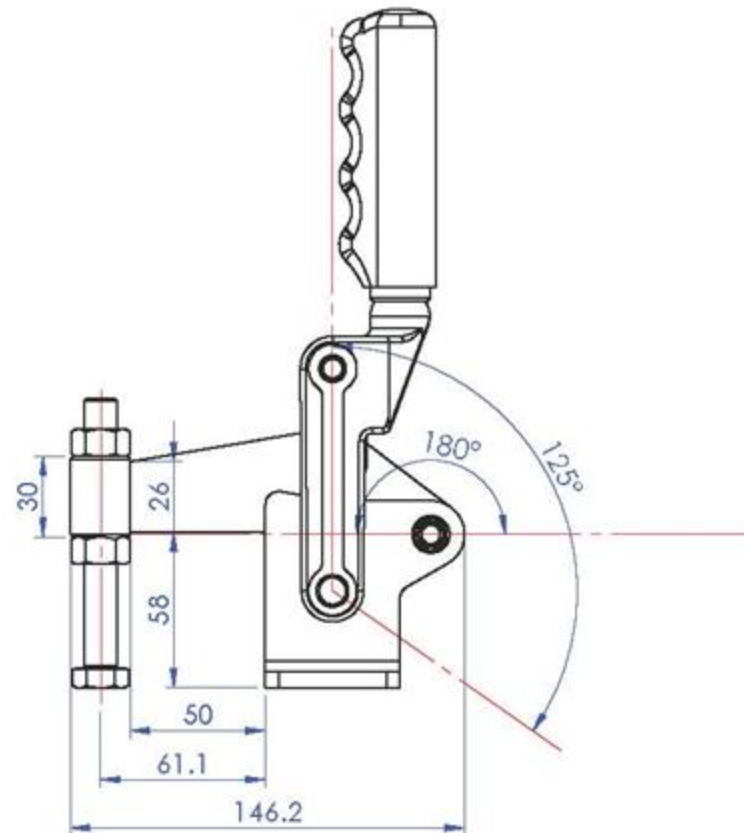
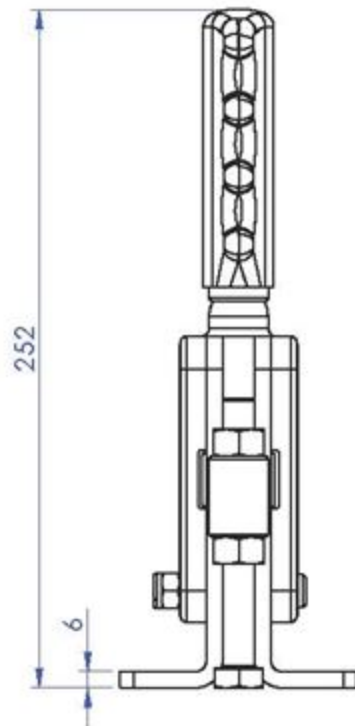
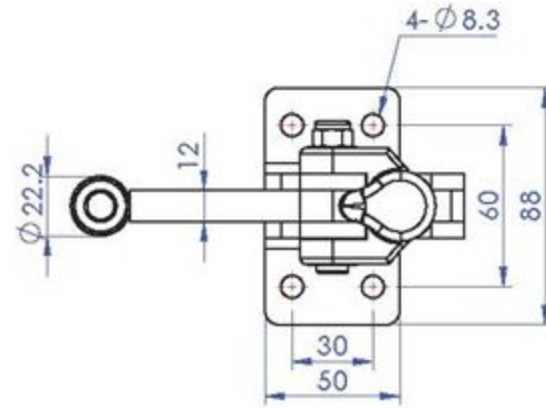


Unit:mm  
Scale: 1:2.5

**Good Hand UK Ltd**

TITLE:		
DWG NO.	GH-70725	A4

Part No:	GH-71225
Holding Capacity:	1200Kg
Bar Opens:	125°
Handle Opens:	180°
Weight:	2.14Kg
Spindle Supplied:	SA-121017

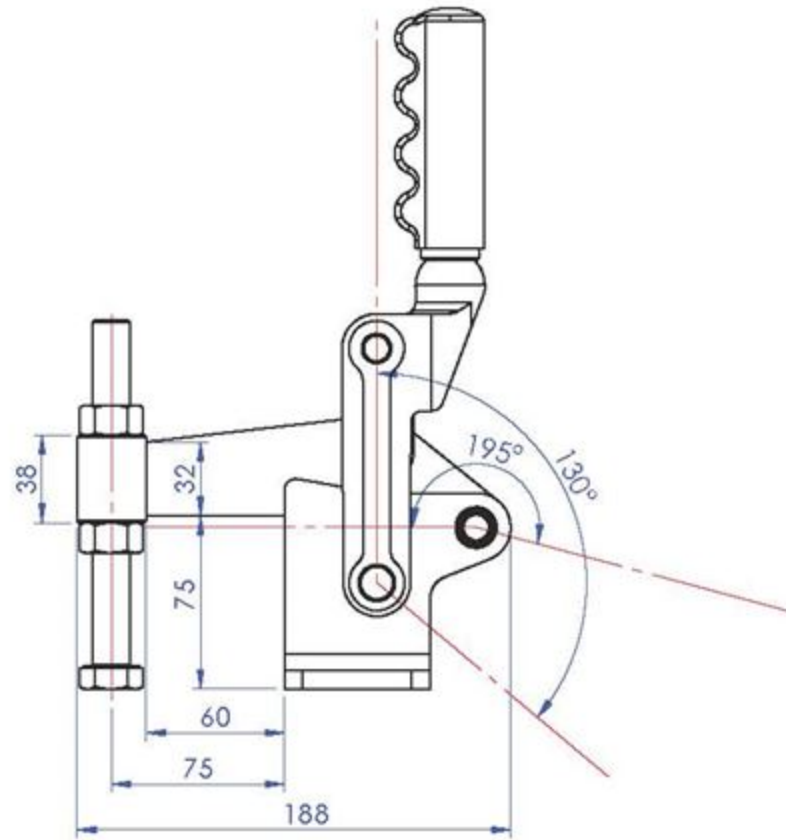
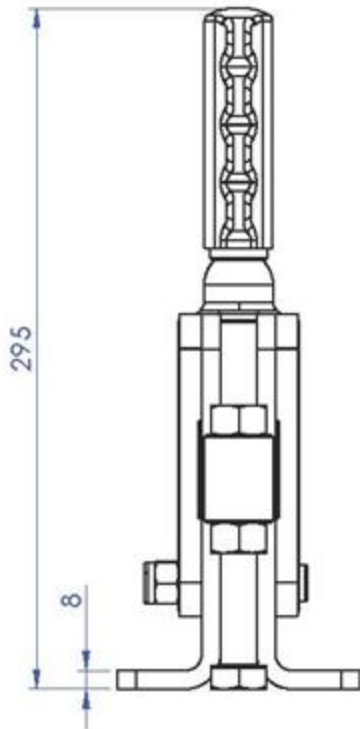
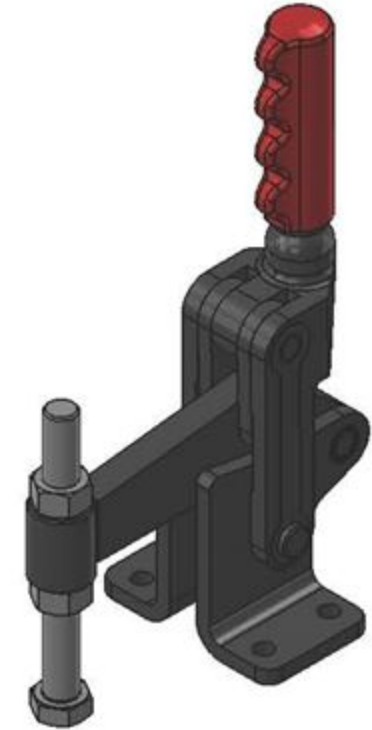
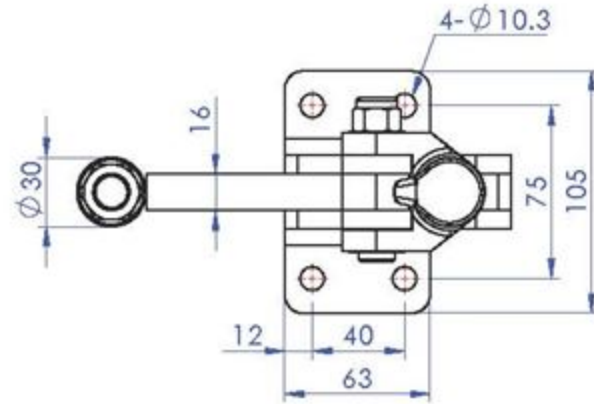


Unit:mm  
Scale: 1:3

**Good Hand UK Ltd**

TITLE:		
DWG NO.	GH-71225	A4

Part No:	GH-72425
Holding Capacity:	2400Kg
Bar Opens:	130°
Handle Opens:	195°
Weight:	3.982Kg
Spindle Supplied:	SA-161520



Unit:mm  
Scale: 1:3.5

**Good Hand UK Ltd**

TITLE:		
DWG NO.	GH-72425	A4