



Indexing Plungers

without collar, stainless steel

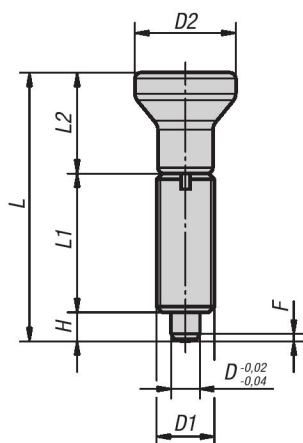


INCH
Parts

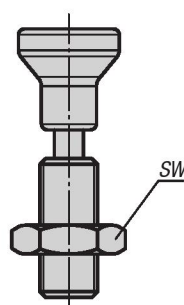
METRIC
Parts



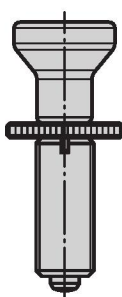
Style G
without locknut



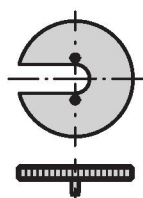
Style H
with locknut



with screw-in washer



screw-in washer



Material:

- Locking pin hardened:
threaded sleeve 1.4305 locking pin 1.4034
- Locking pin not hardened:
threaded sleeve 1.4305
locking pin 1.4305

Mushroom knob 1.4305, electrolytic-polish

Type:

Natural finish; locking pin ground

Part Number Example:

K0634.001903AJ

Note:

Indexing plungers are used to prevent any change in locking position due to lateral forces. A new locking position can only be set after the bolt has been manually disengaged.

In order to screw in the Indexing Plungers, a screw-in washer can be supplied. The washer is slid beneath the disengaged mushroom knob so that the follower pins engage in the slot.

On request:

Special versions.

KIPP Indexing Plungers, without collar, in stainless steel, locking pin hardened, inch

Item No. Style G	Item No. Style H	D	D1	D2	L	L1	L2	H	SW	F x 30°	Spring force initial pressure F1 approx. N	Spring force final pressure F2 approx. N	Item No. screw-in washer
K0634.001903AJ	K0634.002903AJ	3	1/4-28	14	34,5	17	14	3,5	-17/16	0,8	4,5	10	K0344.99
K0634.001004AK	K0634.002004AK	4	5/16-24	18	43	21	18	4	-1 1/2	1	6	12	K0344.90
K0634.001105AL	K0634.002105AL	5	3/8-24	21	50	24	21	5	-19/16	1,3	5	12	K0344.91
K0634.001206A5	K0634.002206A5	6	1/2-13	25	59	28	25	6	-1 3/4	1,8	6	14	K0344.92
K0634.001308A6	K0634.002308A6	8	5/8-11	33	77	36	33	8	-1 15/16	2,3	15	35	K0344.93
K0634.001410A7	K0634.002410A7	10	3/4-10	33	83	40	33	10	-1 1/8	2,6	15	34	K0344.94
K0634.001412A0	K0634.002412A0	12	3/4-16	33	87	42	33	12	-1 1/8	2,8	15	39	K0344.94
K0634.001516A8	K0634.002516A8	16	1"-8	40	106	50	40	16	-1 1/2	3,2	20	46	K0344.95



Indexing Plungers

without collar, stainless steel

KIPP Indexing Plungers, without collar, in stainless steel, locking pin not hardened, inch

Item No. Style G	Item No. Style H	D	D1	D2	L	L1	L2	H	SW	F x 30°	Spring force initial pressure F1 approx. N	Spring force final pressure F2 approx. N	Item No. screw-in washer
K0634.111903AJ	K0634.112903AJ	3	1/4-28	14	34,5	17	14	3,5	- 17/16	0,8	4,5	10	K0344.99
K0634.111004AK	K0634.112004AK	4	5/16-24	18	43	21	18	4	- 1 1/2	1	6	12	K0344.90
K0634.111105AL	K0634.112105AL	5	3/8-24	21	50	24	21	5	- 19/16	1,3	5	12	K0344.91
K0634.111206A5	K0634.112206A5	6	1/2-13	25	59	28	25	6	- 1 3/4	1,8	6	14	K0344.92
K0634.111308A6	K0634.112308A6	8	5/8-11	33	77	36	33	8	- 1 15/16	2,3	15	35	K0344.93
K0634.111410A7	K0634.112410A7	10	3/4-10	33	83	40	33	10	- 1 1/8	2,6	15	34	K0344.94
K0634.111412A0	K0634.112412A0	12	3/4-16	33	87	42	33	12	- 1 1/8	2,8	15	39	K0344.94
K0634.111516A8	K0634.112516A8	16	1"-8	40	106	50	40	16	- 1 1/2	3,2	20	46	K0344.95

KIPP Indexing Plungers, without collar, in stainless steel, locking pin hardened, metric

Item No. Style G	Item No. Style H	D	D1	D2	L	L1	L2	H	SW	F x 30°	Spring force initial pressure F1 approx. N	Spring force final pressure F2 approx. N	Item No. screw-in washer
K0634.001903	K0634.002903	3	M6x0,75	14	34,5	17	14	3,5	- / 10	0,8	4,5	10	K0344.99
K0634.001004	K0634.002004	4	M8x1	18	43	21	18	4	- / 13	1	6	12	K0344.90
K0634.001105	K0634.002105	5	M10x1	21	50	24	21	5	- / 17	1,3	5	12	K0344.91
K0634.001206	K0634.002206	6	M12x1,5	25	59	28	25	6	- / 19	1,8	6	14	K0344.92
K0634.001308	K0634.002308	8	M16x1,5	33	77	36	33	8	- / 24	2,3	15	35	K0344.93
K0634.001410	K0634.002410	10	M20x1,5	33	83	40	33	10	- / 30	2,8	15	34	K0344.94
K0634.001412	K0634.002412	12	M20x1,5	33	87	42	33	12	- / 30	2,8	15	39	K0344.94
K0634.001516	K0634.002516	16	M24x2	40	106	50	40	16	- / 36	3,2	20	46	K0344.95

KIPP Indexing Plungers, without collar, in stainless steel, locking pin not hardened, metric

Item No. Style G	Item No. Style H	D	D1	D2	L	L1	L2	H	SW	F x 30°	Spring force initial pressure F1 approx. N	Spring force final pressure F2 approx. N	Item No. screw-in washer
K0634.111903	K0634.112903	3	M6x0,75	14	34,5	17	14	3,5	- / 10	0,8	4,5	10	K0344.99
K0634.111004	K0634.112004	4	M8x1	18	43	21	18	4	- / 13	1	6	12	K0344.90
K0634.111105	K0634.112105	5	M10x1	21	50	24	21	5	- / 17	1,3	5	12	K0344.91
K0634.111206	K0634.112206	6	M12x1,5	25	59	28	25	6	- / 19	1,8	6	14	K0344.92
K0634.111308	K0634.112308	8	M16x1,5	33	77	36	33	8	- / 24	2,3	15	35	K0344.93
K0634.111410	K0634.112410	10	M20x1,5	33	83	40	33	10	- / 30	2,8	15	34	K0344.94
K0634.111412	K0634.112412	12	M20x1,5	33	87	42	33	12	- / 30	2,8	15	39	K0344.94
K0634.111516	K0634.112516	16	M24x2	40	106	50	40	16	- / 36	3,2	20	46	K0344.95