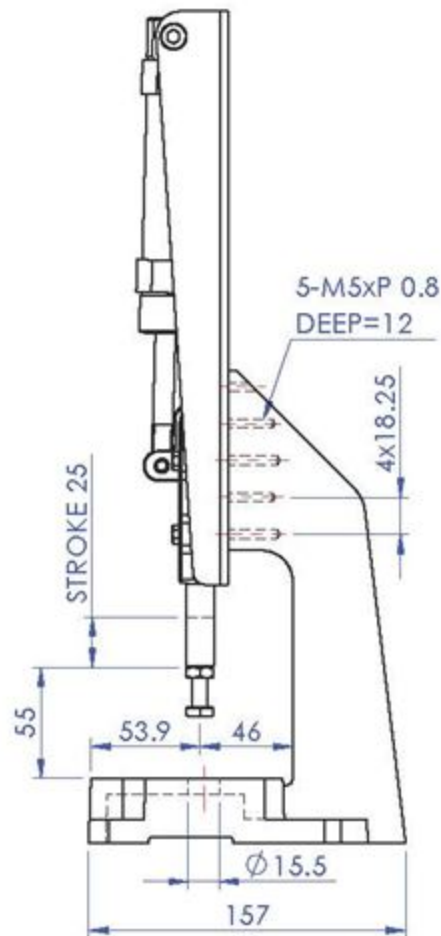
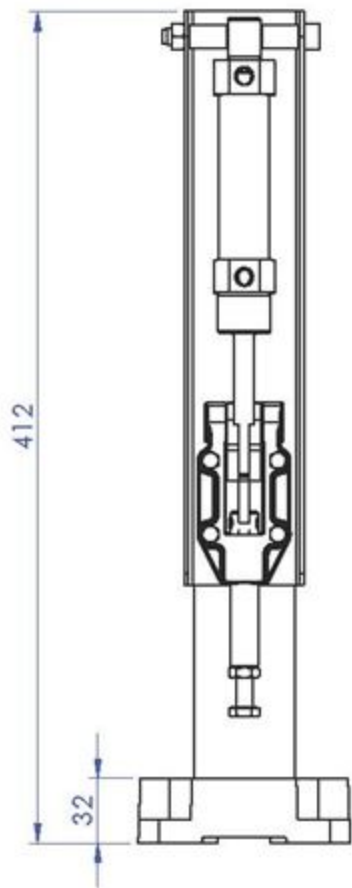
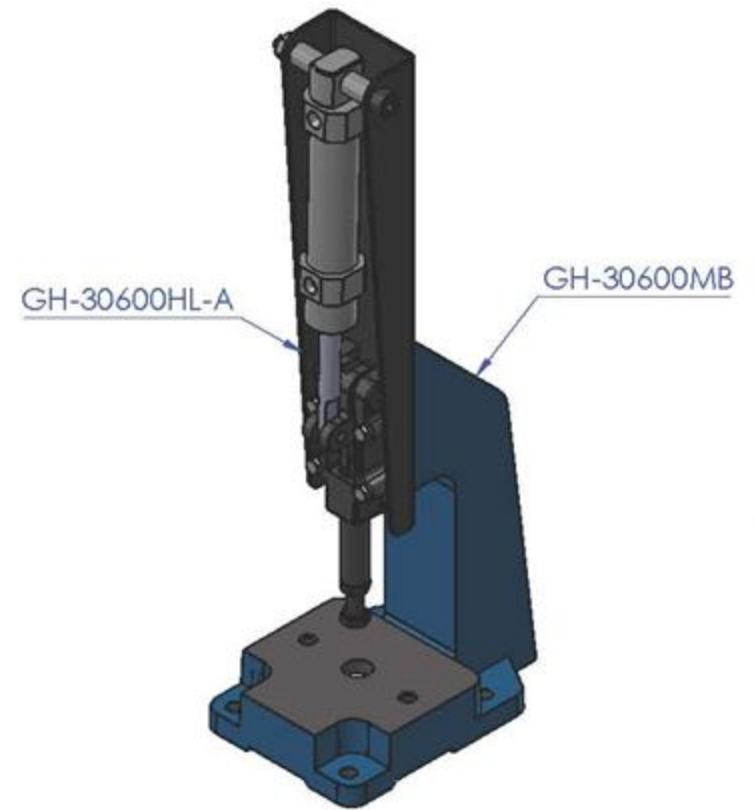
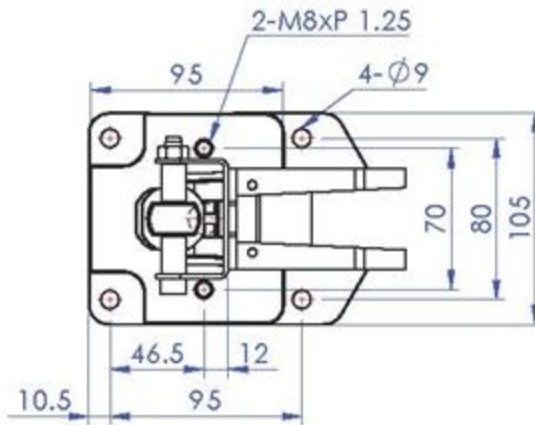


Part No:	GH-30600PR-A
Holding Capacity:	600Kg
Plunger Stroke:	25mm
Weight:	4.195Kg
Spindle Supplied:	SA-086512
Air Connection Size:	1/8NPT
Cylinder Bore:	25mm
Max Cylinder Air Pressure:	9Kgf/cm ²



Unit:mm

Scale: 1:4

Good Hand UK Ltd

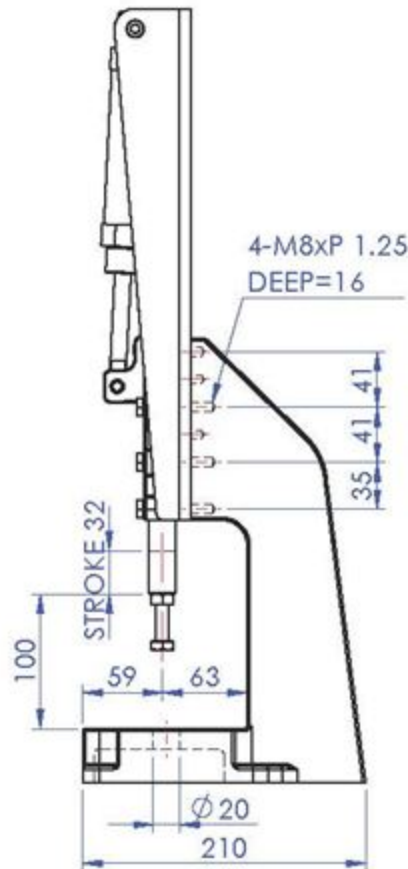
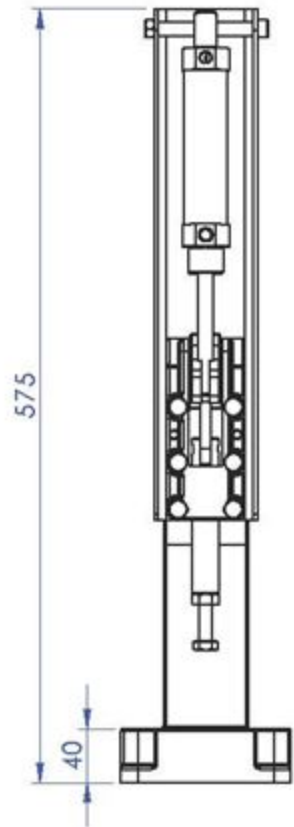
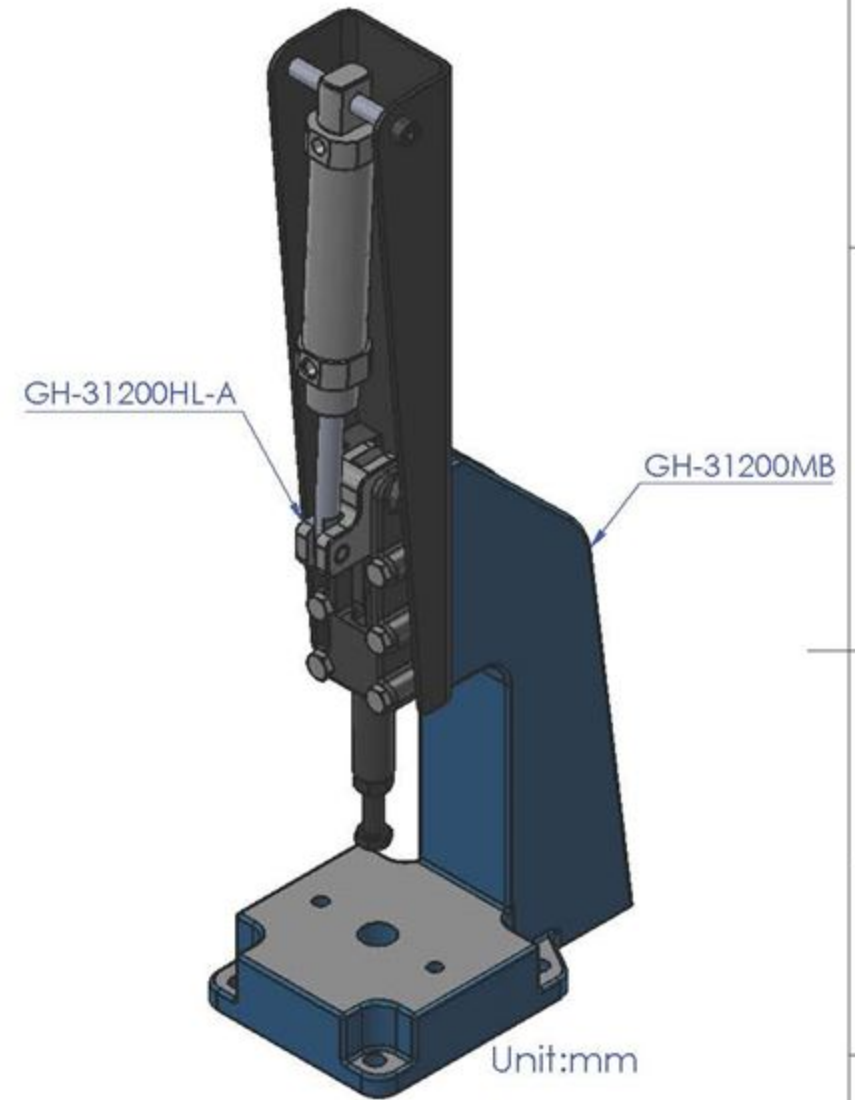
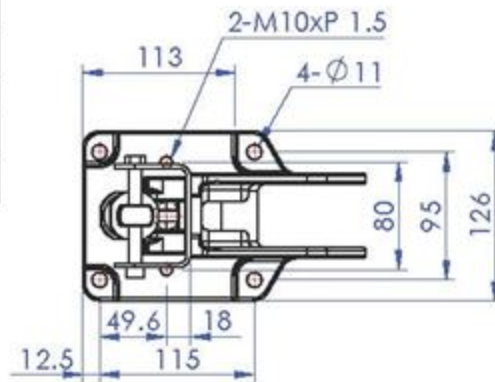
TITLE:

DWG NO.

GH-30600PR-A

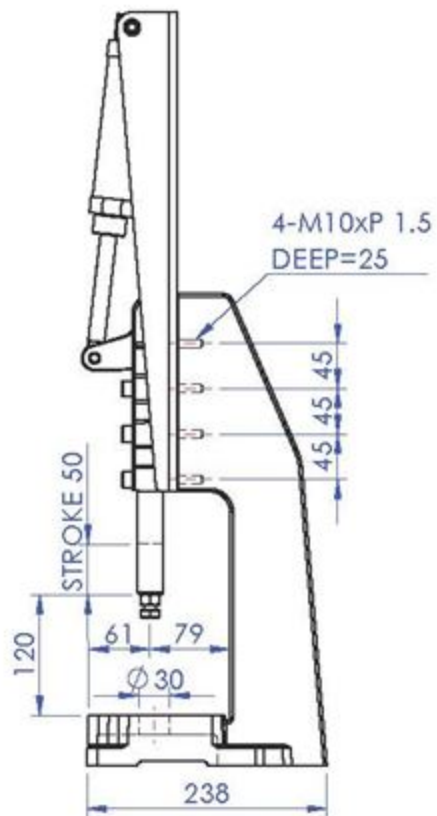
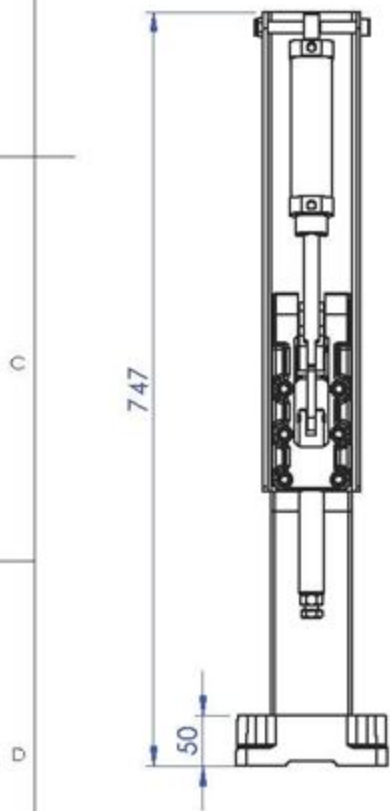
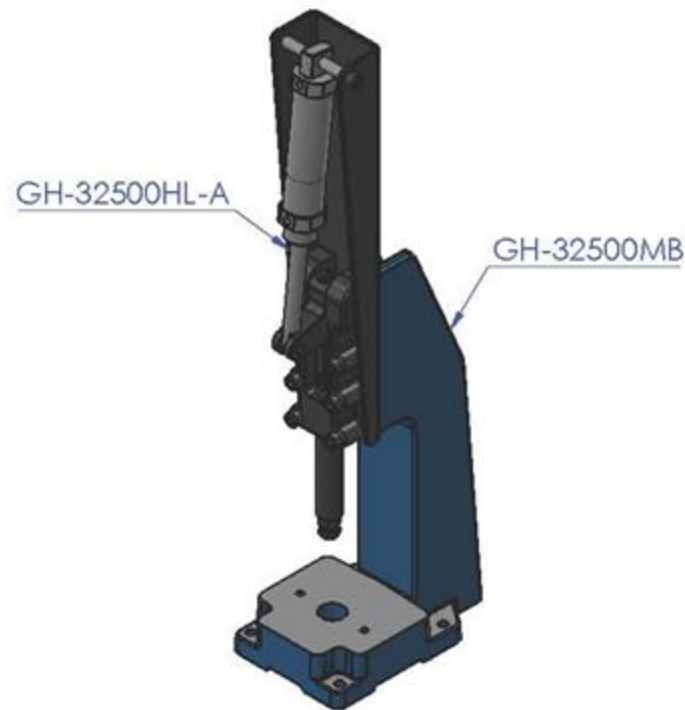
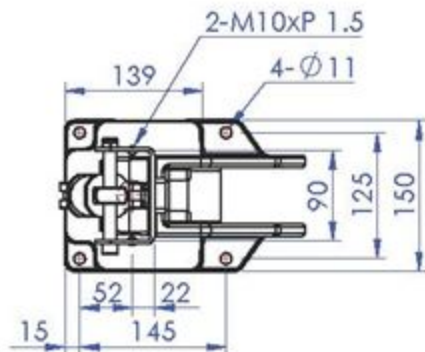
A4

Part No:	GH-31200PR-A
Holding Capacity:	1200Kg
Plunger Stroke:	32mm
Weight:	10Kg
Spindle Supplied:	SA-107515
Air Connection Size:	1/8NPT
Cylinder Bore:	32mm
Max Cylinder Air Pressure:	9Kgf/cm ²



Good Hand UK Ltd	
TITLE:	
DWG NO.	GH-31200PR-A
	A4

Part No:	GH-32500PR-A
Holding Capacity:	2500Kg
Plunger Stroke:	50mm
Weight:	19.62Kg
Spindle Supplied:	SA-127515
Air Connection Size:	1/8NPT
Cylinder Bore:	40mm
Max Cylinder Air Pressure:	9Kgf/cm ²



Unit:mm

Scale: 1:8

Good Hand UK Ltd

TITLE:

DWG NO. GH-32500PR-A

A4