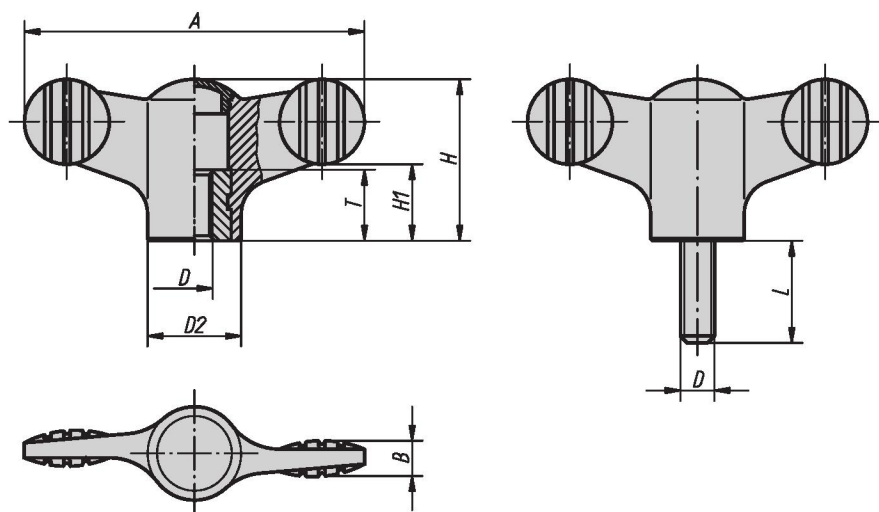


Wing Grips

INCH
Parts

METRIC
Parts



The modern design and hi-tech engineering of Novo-Grip Wing Grips appeal offers perfect performance and ergonomic functionality. These Novo-Grip Wing Grips will improve appearance and functionality of any application, increasing performance while offering a more comfortable grip.

Material:

Black gray thermoplastic;
bushing and threaded bolt in steel 5.8 or
stainless steel 1.4305

Type:

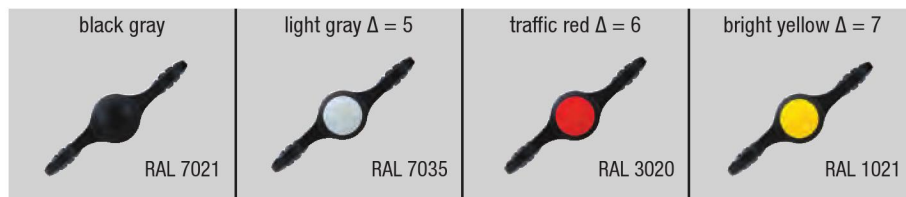
Grip black gray
bushing and threaded bolt in steel blue chromate
or stainless steel natural finish

Part Number Example:

K0274.9AE7X10
(cap color bright yellow; include length L)

Note:

Δ Add the desired cap color here; no color code is
required for black gray caps.





Wing Grips

KIPP Wing Grips, internal thread, inch

Item No. bushing steel	Item No. bushing stainless steel	D	D2	A	B	H	H1	T
K0274.9AEΔ	K0274.09AEΔ	8-32	12	38	4.5	18	8.5	10
K0274.9A1Δ	K0274.09A1Δ	10-32	12	38	4.5	18	8.5	10
K0274.9A2Δ	K0274.09A2Δ	1/4-20	12	38	4.5	18	8.5	10
K0274.1A1Δ	K0274.01A1Δ	10-32	14	50	5	24	11.5	10
K0274.1A2Δ	K0274.01A2Δ	1/4-20	14	50	5	24	11.5	10
K0274.2A3Δ	K0274.02A3Δ	5/16-18	21	75	7	35.6	16.5	14
K0274.2A4Δ	K0274.02A4Δ	3/8-16	21	75	7	35.6	16.5	14

KIPP Wing Grips, external thread, inch

Item No. stud steel	Item No. stud stainless steel	D	D2	A	B	H	H1	L
K0274.9AEΔX	K0274.09AEΔX	8-32	12	38	4.5	18	8.5	10/20
K0274.9A1ΔX	K0274.09A1ΔX	10-32	12	38	4.5	18	8.5	10/20
K0274.9A2ΔX	K0274.09A2ΔX	1/4-20	12	38	4.5	18	8.5	20/30/40
K0274.1A1ΔX	K0274.01A1ΔX	10-32	14	50	5	24	11.5	10/20
K0274.1A2ΔX	K0274.01A2ΔX	1/4-20	14	50	5	24	11.5	20/30/40
K0274.1A3ΔX	K0274.01A3ΔX	5/16-18	14	50	5	24	11.5	20/40
K0274.2A3ΔX	K0274.02A3ΔX	5/16-18	21	75	7	35.6	16.5	20/40
K0274.2A4ΔX	K0274.02A4ΔX	3/8-16	21	75	7	35.6	16.5	20/40

KIPP Wing Grips, internal thread, metric

Item No. bushing steel	Item No. bushing stainless steel	D	D2	A	B	H	H1	T
K0274.904Δ	K0274.0904Δ	M4	12	38	4,5	18	8,5	10
K0274.905Δ	K0274.0905Δ	M5	12	38	4,5	18	8,5	10
K0274.906Δ	K0274.0906Δ	M6	12	38	4,5	18	8,5	10
K0274.105Δ	K0274.0105Δ	M5	14	50	5	24	11,5	10
K0274.106Δ	K0274.0106Δ	M6	14	50	5	24	11,5	10
K0274.208Δ	K0274.0208Δ	M8	21	75	7	35,6	16,5	14
K0274.210Δ	K0274.0210Δ	M10	21	75	7	35,6	16,5	14

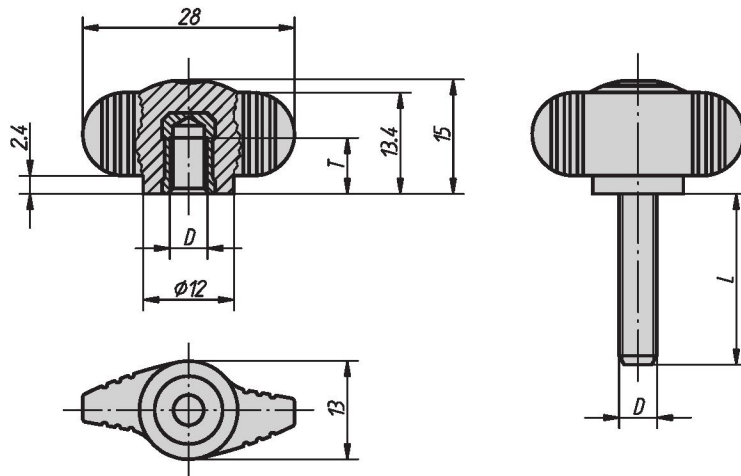
KIPP Novo-Grip Wing Grips, external thread, metric

Item No. bolt steel	Item No. bolt stainless steel	D	D2	A	B	H	H1	L
K0274.904ΔX	K0274.0904ΔX	M4	12	38	4,5	18	8,5	10/15
K0274.905ΔX	K0274.0905ΔX	M5	12	38	4,5	18	8,5	15/20/30
K0274.906ΔX	K0274.0906ΔX	M6	12	38	4,5	18	8,5	20/30/40
K0274.105ΔX	K0274.0105ΔX	M5	14	50	5	24	11,5	15/20
K0274.106ΔX	K0274.0106ΔX	M6	14	50	5	24	11,5	20/30/40
K0274.108ΔX	K0274.0108ΔX	M8	14	50	5	24	11,5	20/30/40
K0274.208ΔX	K0274.0208ΔX	M8	21	75	7	35,6	16,5	20/30/40
K0274.210ΔX	K0274.0210ΔX	M10	21	75	7	35,6	16,5	20/30/40/50

Mini Wings

INCH
Parts

METRIC
Parts



This unique and technically superior Novo-Grip product, brings advanced ergonomic design, durability, strength, eye appeal and finger specific precision performance to any application. The perfect solution for high performance and precise gripping requirements in a "mini" space.

Material:

Grip black gray thermoplastic.
Brass bushing or stainless steel 1.4305.
Threaded bolt steel 5.8 or stainless steel 1.4305.

Type:

Steel blue chromate.
Stainless steel natural finish.

Part Number Example:

K0274.0AEX10 (include length L)

Mini Wings



KIPP Mini Wings, internal thread, inch

Item No.	Version	D	T
K0274.0AE	bushing brass	8-32	6
K0274.0A1	bushing brass	10-32	7.5
K0274.0A2	bushing brass	1/4-20	9
K0274.00AE	bushing stainless steel	8-32	6
K0274.00A1	bushing stainless steel	10-32	7.5
K0274.00A2	bushing stainless steel	1/4-20	9

KIPP Mini Wings, external thread, inch

Item No.	Version	D	L
K0274.0AEX	stud steel	8-32	10/20
K0274.0A1X	stud steel	10-32	10/20
K0274.0A2X	stud steel	1/4-20	20/30
K0274.0A3X	stud steel	5/16-18	20/40
K0274.00AEX	stud stainless steel	8-32	10/20
K0274.00A1X	stud stainless steel	10-32	10/20
K0274.00A2X	stud stainless steel	1/4-20	20/30
K0274.00A3X	stud stainless steel	5/16-18	20/40

KIPP Mini Wings, internal thread, metric

Item No.	Version	D	T
K0274.004	bushing brass	M4	6
K0274.005	bushing brass	M5	7,5
K0274.006	bushing brass	M6	9
K0274.0004	bushing stainless steel	M4	6
K0274.0005	bushing stainless steel	M5	7,5
K0274.0006	bushing stainless steel	M6	9

KIPP Mini Wings, external thread, metric

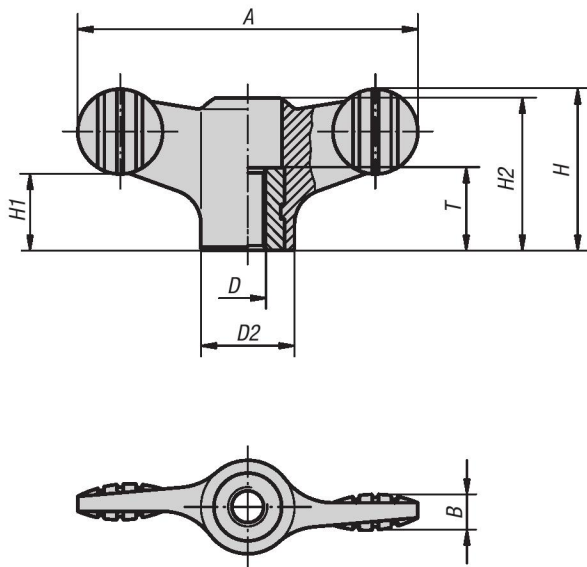
Item No.	Version	D	L
K0274.004X	stud steel	M4	8
K0274.005X	stud steel	M5	10/15/20
K0274.006X	stud steel	M6	10/15/20/25/30
K0274.008X	stud steel	M8	20/25/30/40
K0274.0004X	stud stainless steel	M4	8
K0274.0005X	stud stainless steel	M5	10/15/20
K0274.0006X	stud stainless steel	M6	10/15/20/25/30
K0274.0008X	stud stainless steel	M8	20/25/30/40



Wing Grips

with continuous internal thread

INCH Parts
METRIC Parts



For many the modern Novo-Grip Wing Grips represent the perfect constructive and technical solution for absolutely "natural" gripping. It enables more comfortable handling than ever before.

Material:

Black gray thermoplastic,
bushing steel 5.8 or
stainless steel 1.4305.

Type:

Bushing steel blue chromate or
stainless steel natural finish.

Part Number Example:

K0274.19AE

KIPP Wing Grips with continuous internal thread, inch

Item No. bushing in steel	Item No. bushing in stainless steel	D	D2	A	B	H	H1	H2	T
K0274.19AE	K0274.109AE	8-32	12	38	4.5	18	8.5	16.1	10
K0274.19A1	K0274.109A1	10-32	12	38	4.5	18	8.5	16.1	10
K0274.19A2	K0274.109A2	1/4-20	12	38	4.5	18	8.5	16.1	10
K0274.11A1	K0274.101A1	10-32	14	50	5	24	11.5	22	10
K0274.11A2	K0274.101A2	1/4-20	14	50	5	24	11.5	22	10
K0274.12A3	K0274.102A3	5/16-18	21	75	7	35.6	17	33.3	14
K0274.12A4	K0274.102A4	3/8-16	21	75	7	35.6	17	33.3	14

KIPP Wing Grips with continuous internal thread, metric

Item No. bushing in steel	Item No. bushing in stainless steel	D	D2	A	B	H	H1	H2	T
K0274.1904	K0274.10904	M4	12	38	4,5	18	8,5	16,1	10
K0274.1905	K0274.10905	M5	12	38	4,5	18	8,5	16,1	10
K0274.1906	K0274.10906	M6	12	38	4,5	18	8,5	16,1	10
K0274.1105	K0274.10105	M5	14	50	5	24	11,5	22	10
K0274.1106	K0274.10106	M6	14	50	5	24	11,5	22	10
K0274.1208	K0274.10208	M8	21	75	7	35,6	17	33,3	14
K0274.1210	K0274.10210	M10	21	75	7	35,6	17	33,3	14