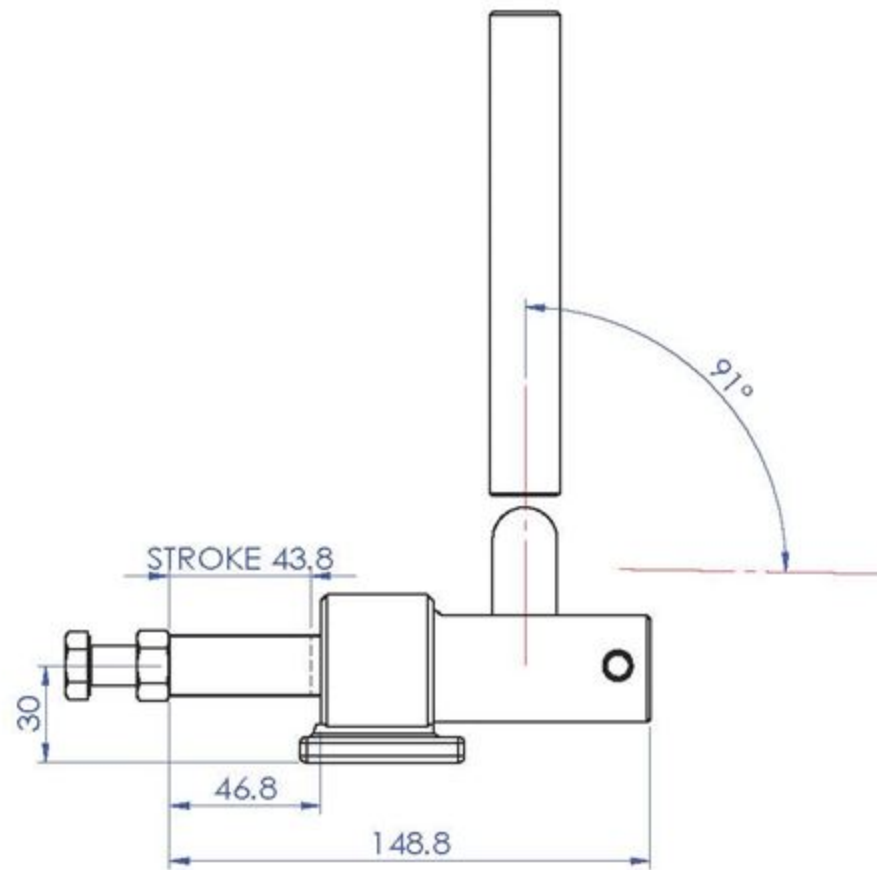
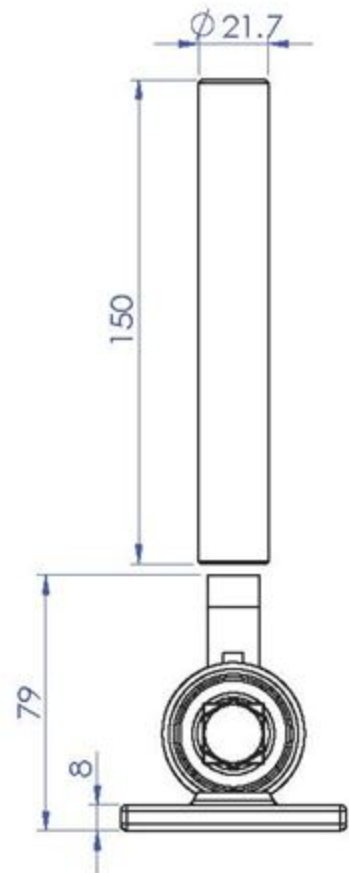
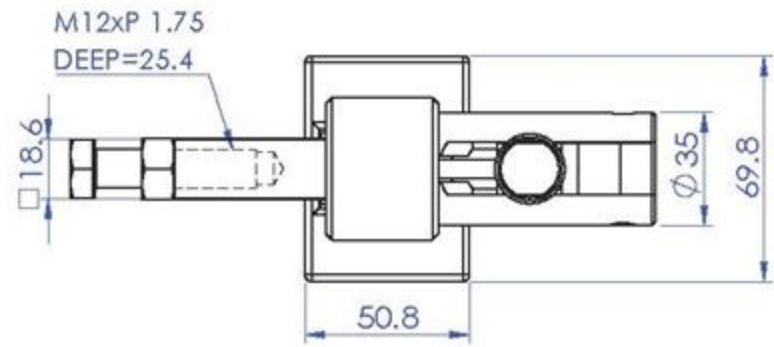


Part No:	GH-30509M
Holding Capacity:	1136Kg
Plunger Stroke:	43.8 mm
Handle Opens:	91°
Weight:	1.396Kg
Spindle Supplied:	SA-125017

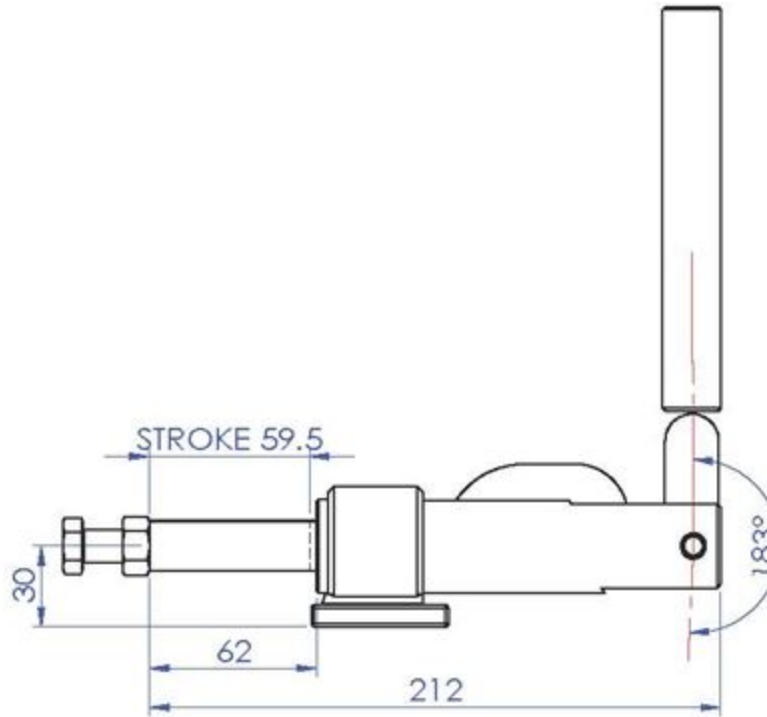
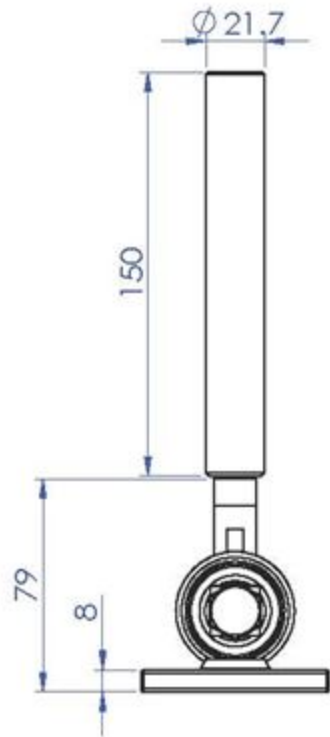
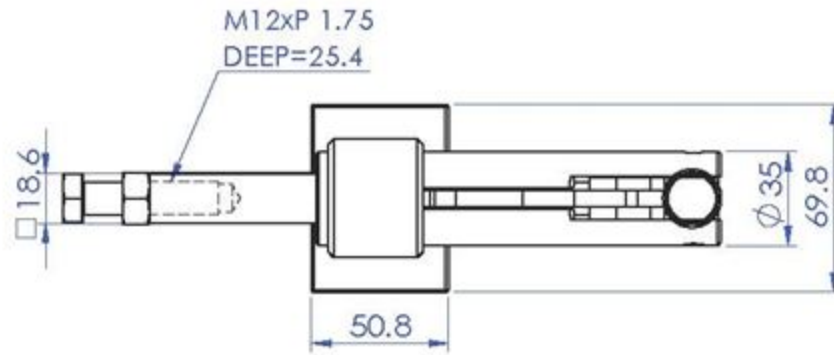


Unit:mm
Scale: 1:2.5

Good Hand UK Ltd

TITLE:		
DWG NO.	GH-30509M	A4

Part No:	GH-30519M
Holding Capacity:	1136Kg
Plunger Stroke:	59.5 mm
Handle Opens:	183°
Weight:	1.692Kg
Spindle Supplied:	SA-125017



Unit:mm
Scale: 1:3

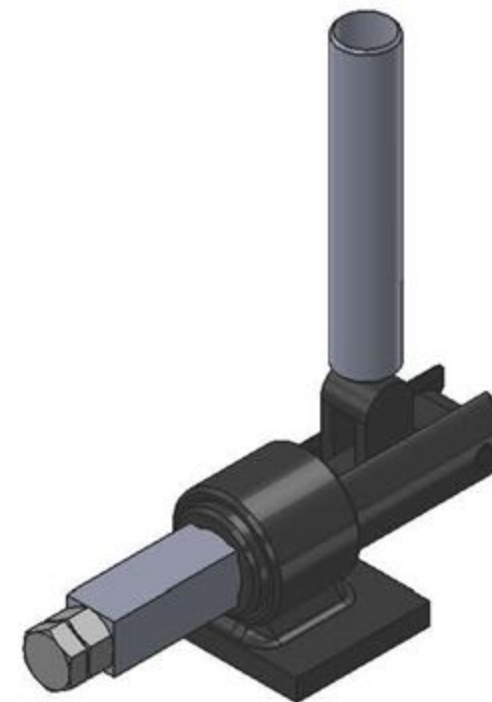
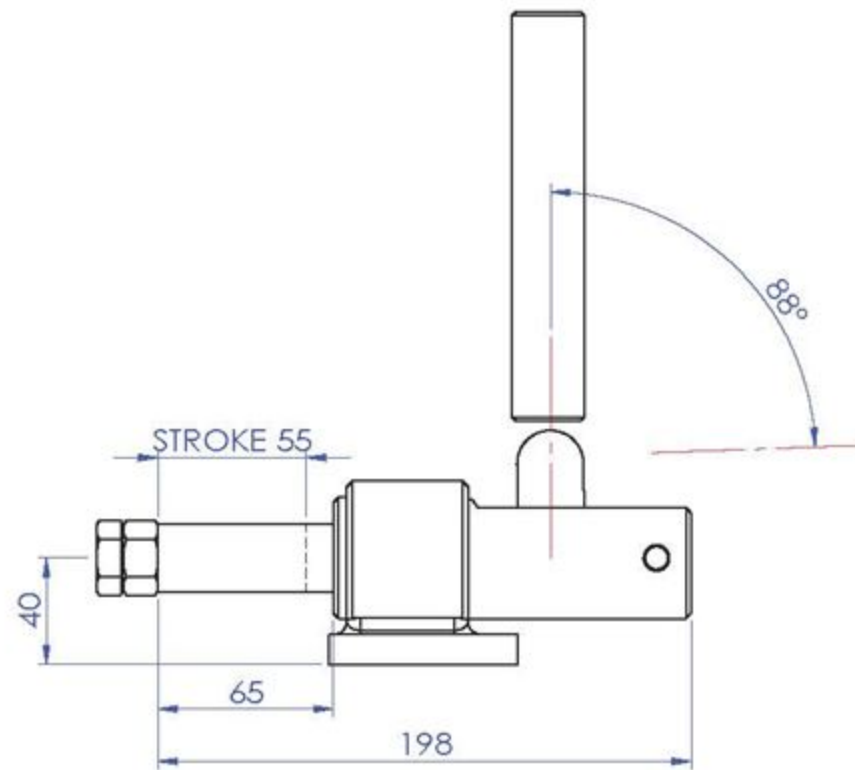
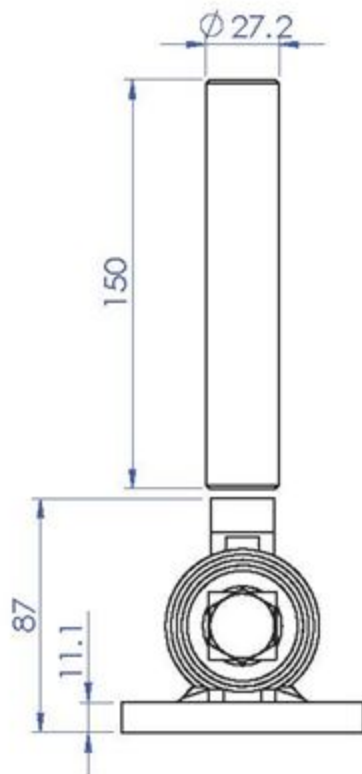
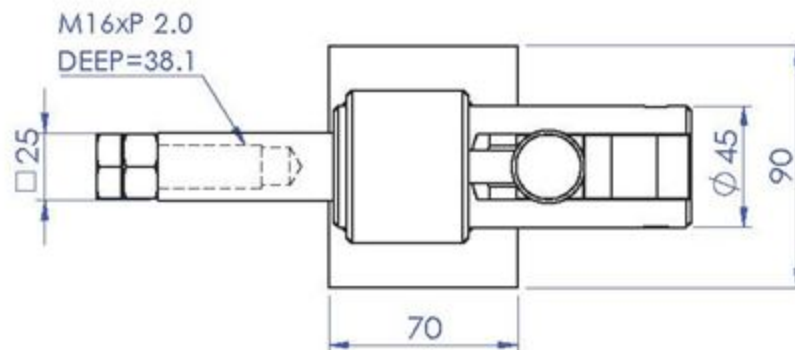
Good Hand UK Ltd

TITLE:

DWG NO. GH-30519M

A4

Part No:	GH-30609M
Holding Capacity:	2273Kg
Plunger Stroke:	55 mm
Handle Opens:	88°
Weight:	2.937Kg
Spindle Supplied:	SA-165020



Unit:mm
Scale: 1:3

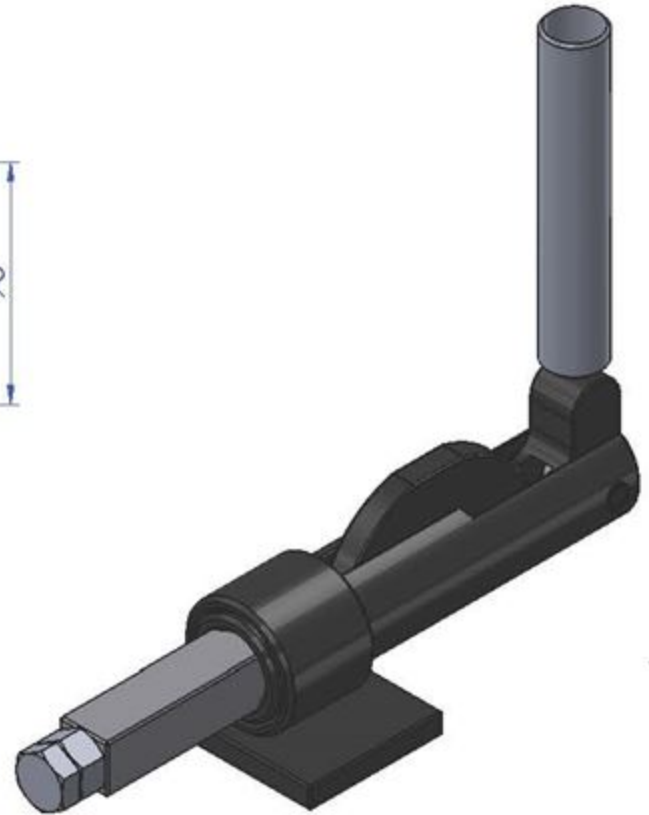
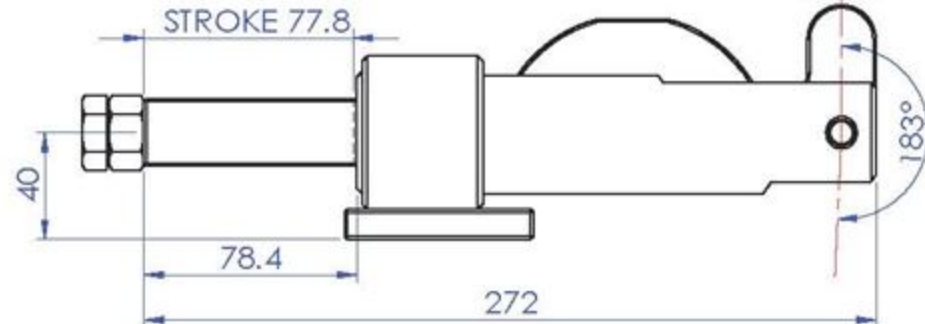
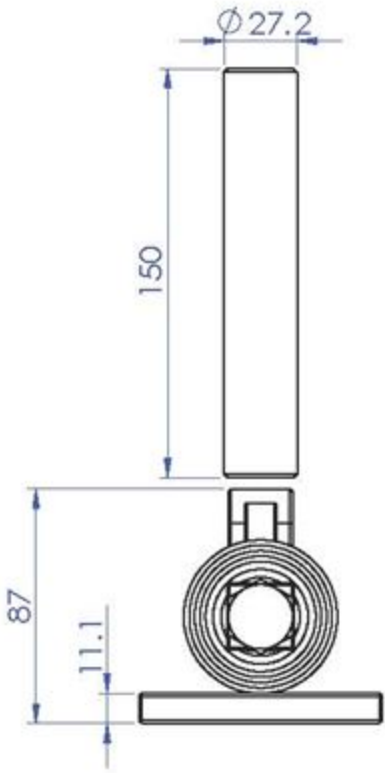
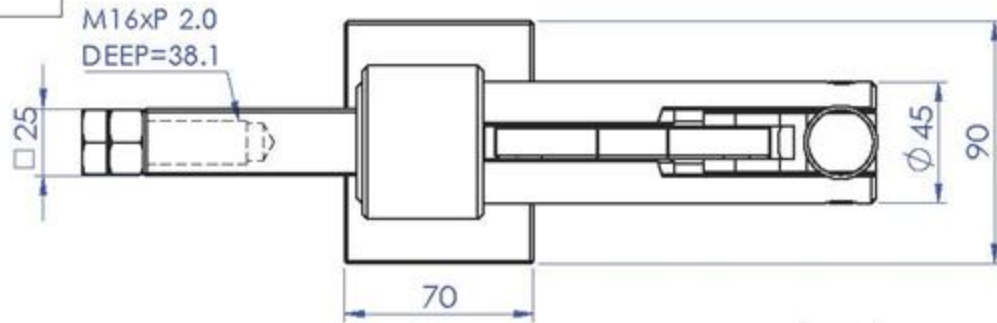
Good Hand UK Ltd

TITLE:

DWG NO. GH-30609M

A4

Part No:	GH-30619M
Holding Capacity:	2273Kg
Plunger Stroke:	77.8 mm
Handle Opens:	183°
Weight:	3.6Kg
Spindle Supplied:	SA-165020



Unit:mm
Scale: 1:3

Good Hand UK Ltd	
TITLE:	
DWG NO.	GH-30619M
	A4