



Handwheels

with revolving handle

INCH Parts
METRIC Parts



Material:

Black gray thermoplastic.

Type:

Steel parts black oxide finish.

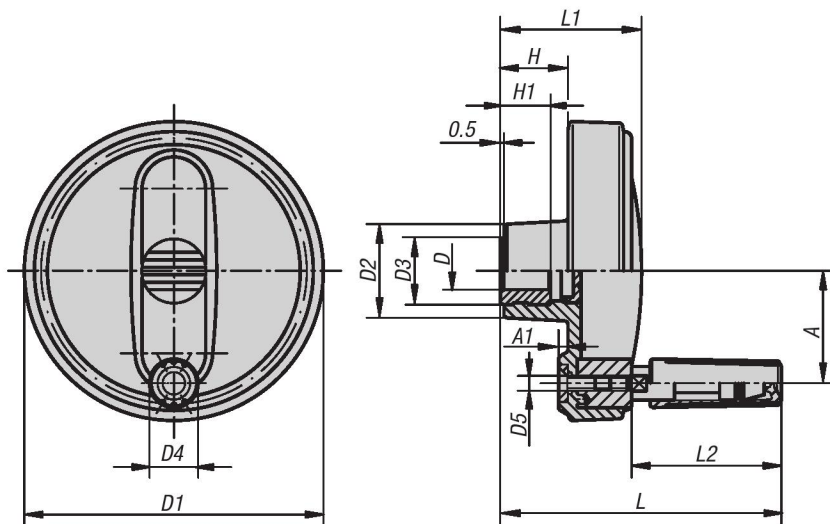
Part Number Example:

K0257.1080C0

Note:

The hub cover and the revolving grip are supplied loose. To assemble the grip, simply screw it into the existing hole.

The handwheels can be secured using a transverse pin or by parallel key connection together with a DIN 6912 socket head screw and a DIN 7349 washer.



KIPP Handwheels, with revolving handle, inch

Item No.	Size	D	D1	D2	D3	D4	D5	A	A1	H	H1	L	L1	L2
K0257.1080C0	1	.375	80	25	19	13	M4	30	2.5	17.5	13	75	37.5	40
K0257.2100C0	2	.375	100	28	19	16	M5	38	3	20	13	90	44	49.5
K0257.2100CP	2	.500	100	28	19	16	M5	38	3	20	13	90	44	49.5
K0257.3125CP	3	.500	125	35	25	20	M6	47.5	4	23.5	18.5	109	53	60
K0257.4160CP	4	.500	160	45	25	25	M8	62	5.6	28	18.5	144	64.5	83.5
K0257.4160CQ	4	.625	160	45	25	25	M8	62	5.6	28	18.5	144	64.5	83.5

KIPP Handwheels, with revolving handle, metric

Item No.	Size	D	D1	D2	D3	D4	D5	A	A1	H	H1	L	L1	L2
K0257.108008	1	8	80	25	19	13	M4	30	2,5	17,5	13	75	37,5	40
K0257.210010	2	10	100	28	19	16	M5	38	3	20	13	90	44	49,5
K0257.210012	2	12	100	28	19	16	M5	38	3	20	13	90	44	49,5
K0257.312512	3	12	125	35	25	20	M6	47,5	4	23,5	18,5	109	53	60
K0257.416014	4	14	160	45	25	25	M8	62	5,6	28	18,5	144	64,5	83,5
K0257.416016	4	16	160	45	25	25	M8	62	5,6	28	18,5	144	64,5	83,5