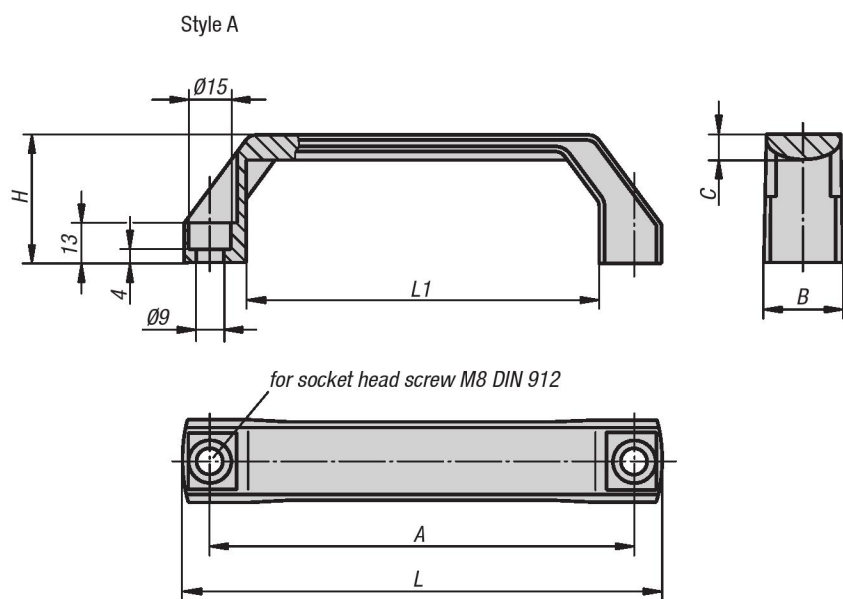


Pull Handles

thermoplastic

METRIC
Parts



Material:

Glass-ball reinforced thermoplastic

Type:

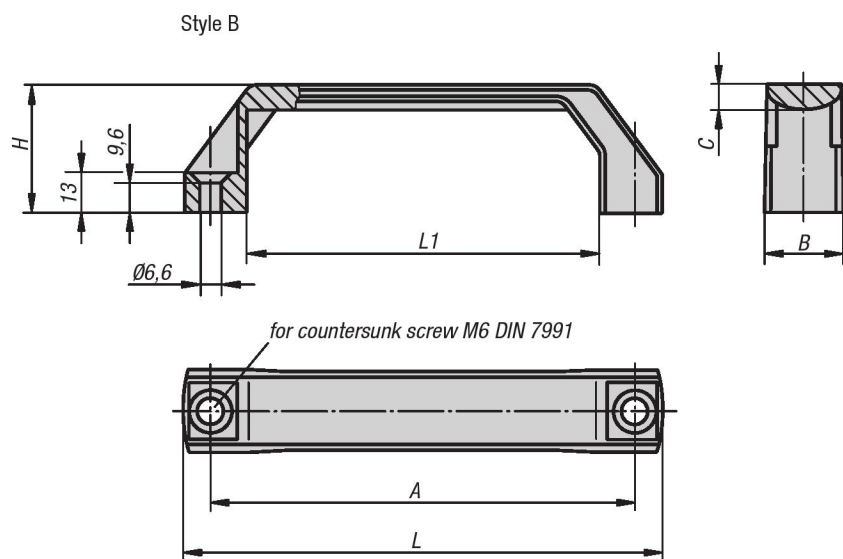
Matt black or orange

Part Number Example:

K0191.1120081

Note:

Dimension "A" applies after mounting. Before mounting it can be up to 2 mm smaller due to the release of the bending stress.



KIPP Pull Handles thermoplastic, metric

Item No. matt black	Item No. orange	Style	A	B	C	H	L	L1	Load capacity N
K0191.1120081	K0191.1120082	A	120	26	8	42	138	96	1000
K0191.1140081	K0191.1140082	A	140	26	8	42	158	116	1000
K0191.1160081	K0191.1160082	A	160	28	9	45	178	136	1000
K0191.2120061	K0191.2120062	B	120	26	8	42	138	96	1000
K0191.2140061	K0191.2140062	B	140	26	8	42	158	116	1000
K0191.2160061	K0191.2160062	B	160	28	9	45	178	136	1000