

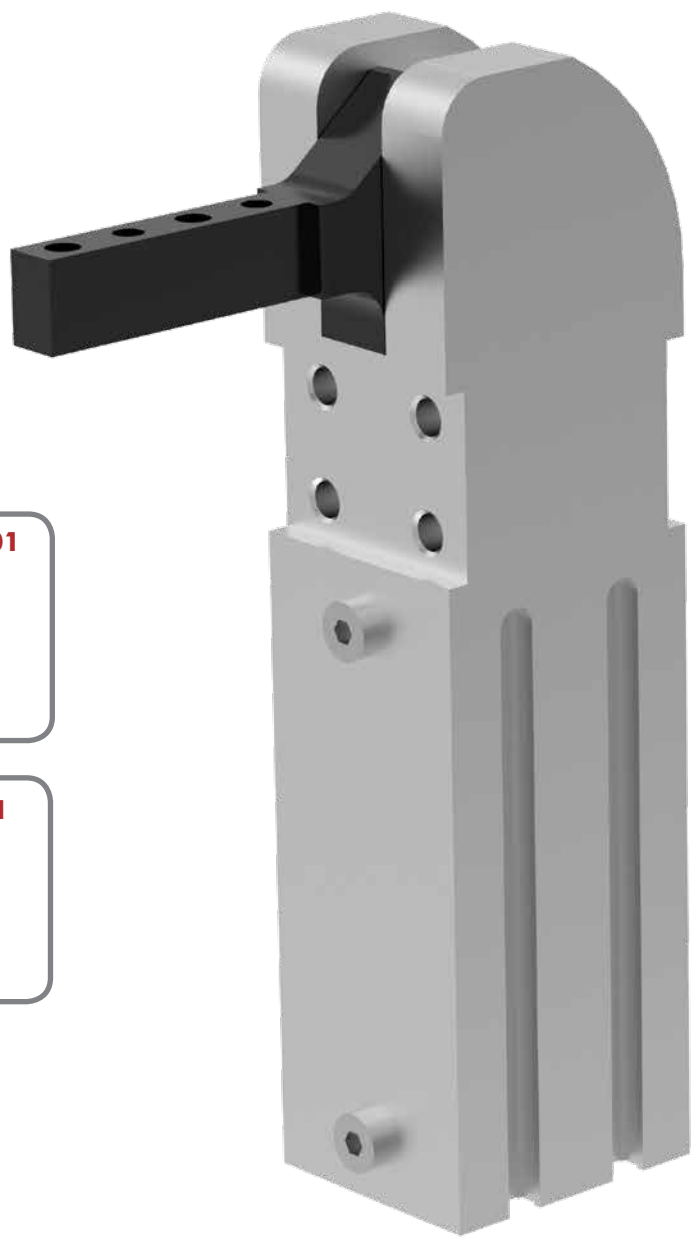
81L SERIES

Pneumatic Power Clamps | Ordering Information

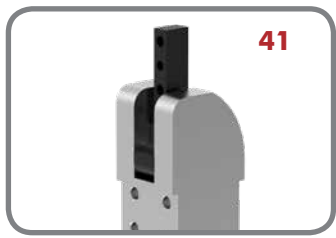
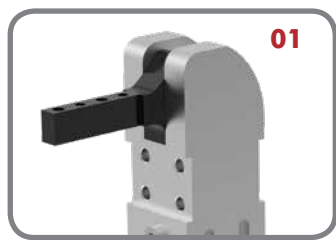


Base Model	Size	Description	Arm Style	Description	Design	Description
	12-1	12mm Cylinder Bore Size	01	Clamping arm, horizontal	00	Standard design
	16-1	16mm Cylinder Bore Size	41	Clamping arm, vertical		
	20-1	20mm Cylinder Bore Size				
	25-1	25mm Cylinder Bore Size				

See below for further details



Arm Style



81L SERIES

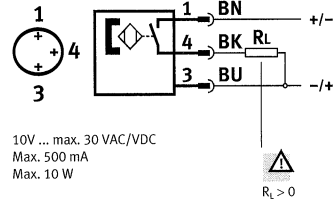
Pneumatic Power Clamps | Ordering Information

Accessories

8EA-109-1
82ZB-004-1

Description (order separately)

Sensor, 3-wire cable, M8x1 connector, 3-pin
Adapter for mounting 81L20-1, 81L25-1 to 25mm dia. bar



12

Max Holding Torque
25 Nm
Max Clamping Torque
4,5 Nm at 5bar

16

Max Holding Torque
60 Nm
Max Clamping Torque
7,0 Nm at 5bar

20

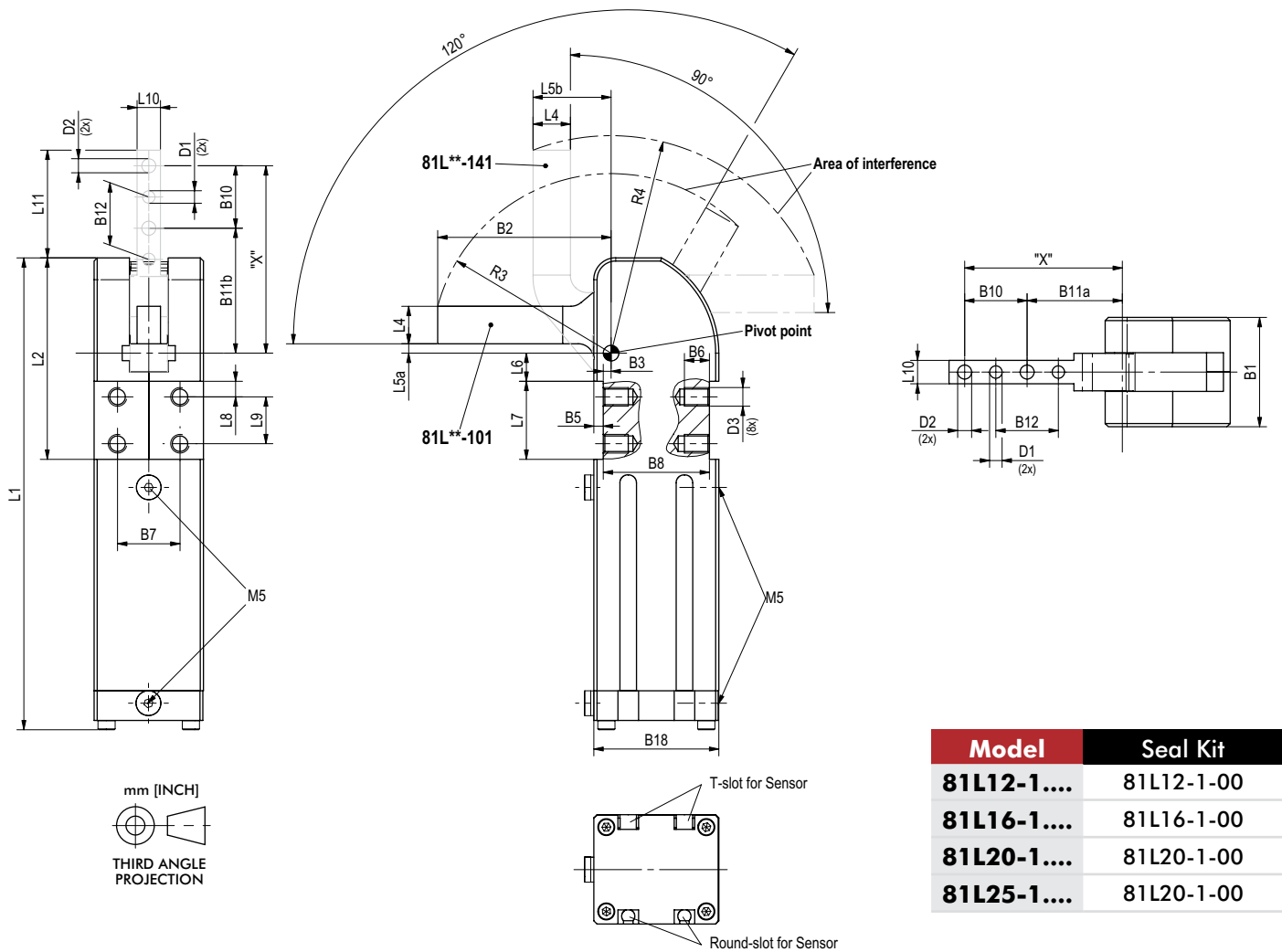
Max Holding Torque
100 Nm
Max Clamping Torque
18 Nm at 5bar

25

Max Holding Torque
100 Nm
Max Clamping Torque
18 Nm at 5bar

81L SERIES

Pneumatic Power Clamps | Dimensions and Seal Kits



Model	Seal Kit
81L12-1....	81L12-1-00
81L16-1....	81L16-1-00
81L20-1....	81L20-1-00
81L25-1....	81L20-1-00

Power by compressed air, max. 6 bar Operation with oil-free air is permissible.

Model	D1 Ø [H7]	D2 Ø	D3 Ø	B1	B2	B3 ±0,1	B5 ±0,2	B6	B7 ±0,1	B8 ±0,1	B10 ±0,2	B11α	B11b	B12
81L12-1....	[0.12] 3	[0.13] 3,3	M4	[0.94] 24	[1.57] 40	[0.10] 2,5	[0.06] 1,5	[0.24] 6	[0.59] 15	[0.98] 25	[0.35] 9	[1.06] 27	[1.24] 31,5	[0.35] 9
81L16-1....	[0.12] 3	[0.17] 4,3	M5	[1.12] 30	[1.97] 50	[0.08] 2	[0.08] 2	[0.19] 5	[0.79] 20	[1.02] 26	[0.59] 15	[1.18] 30	[1.56] 39,5	[0.59] 15
81L20-1....	[0.16] 4	[0.18] 4,5	M6	[1.38] 35	[2.12] 55,5	[0.10] 2,5	[0.12] 3	[0.28] 7	[0.79] 20	[1.34] 34	[0.79] 20	[1.20] 30,5	[1.57] 40	[0.79] 20
81L25-1....	[0.16] 4	[0.26] 6,5	M6	[1.38] 35	[2.58] 65,5	[0.10] 2,5	[0.12] 3	[0.28] 7	[0.79] 20	[1.34] 34	[0.79] 20	[1.59] 40,5	[1.97] 50	[0.79] 20

Model	B18	L1 ~	L2	L4	L5α	L5b	L6	L7 ±0,1	L8	L9	L10	L11	R3 ~	R4 ~
81L12-1....	[1.10] 28	[4.09] 104	[1.59] 40,5	[0.28] 7	[0.10] 2,5	[0.7] 17,5	[0.18] 4,5	[0.59] 15	[0.12] 3	[0.35] 9	[0.24] 6	[0.93] 23,5	[1.61] 41	[1.89] 48
81L16-1....	[1.18] 30	[4.69] 119	[1.95] 49,5	[0.35] 9	0.09 2,25	[0.8] 20,5	[0.23] 5,75	[0.79] 20	[0.16] 4	[0.47] 12	[0.31] 8	[1.41] 35,75	[2.00] 51	[2.48] 63
81L20-1....	[1.57] 40	[5.94] 151	[2.54] 64,5	[0.47] 12	[0.12] 3	[0.98] 25	[0.35] 9	[0.98] 25	[0.19] 5	[0.59] 15	[0.29] 7,5	[1.36] 34,5	[2.26] 57,5	[2.75] 70
81L25-1....	[1.57] 40	[5.94] 151	[2.54] 64,5	[0.47] 12	[0.12] 3	[0.98] 25	[0.35] 9	[0.98] 25	[0.19] 5	[0.59] 15	[0.47] 12	[1.75] 44,5	[2.64] 67	[3.11] 79

81L SERIES

Pneumatic Power Clamps | Technical Specifications

Model	Max. Holding Torque Nm [lb ft]	Max. Clamping Torque at 5 bar [72 psi] Nm [lb ft]	Weight kg [lb]	Air Consumption per double stroke at 5 bar [72 psi] dm ³ [ft ³]	Max. Added Load (at Position, "X") g [oz]
81L12-101..	25 [18.4]	4,5 [3.3]	0,16 [0.4]	0,25 [0.01]	50 [1.8]
81L12-141..	20 [14.8]	4,5 [3.3]	0,17 [0.4]	0,25 [0.01]	50 [1.8]
81L16-101..	60 [44]	6,5 [4.8]	0,25 [0.6]	0,27 [0.01]	80 [2.8]
81L16-141..	40 [29.5]	7,0 [5.23]	0,27 [0.6]	0,26 [0.01]	80 [2.8]
81L20-101..	100 [73.8]	18 [13.3]	0,50 [1.1]	0,40 [0.02]	90 [3.2]
81L20-141..	80 [59]	17 [12.5]	0,52 [1.2]	0,35 [0.01]	90 [3.2]
81L25-101..	100 [73.8]	18 [13.3]	0,52 [1.2]	0,40 [0.02]	100 [3.5]
81L25-141..	80 [59]	17 [12.5]	0,54 [1.25]	0,35 [0.01]	100 [3.5]