

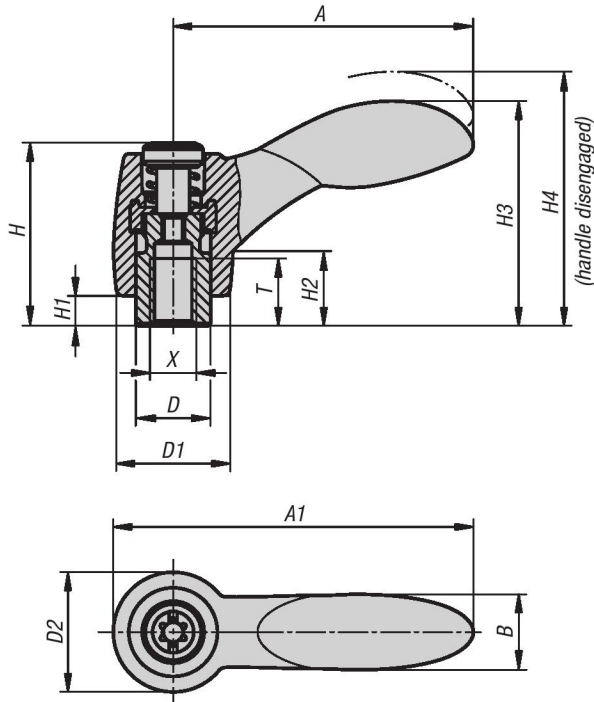


Adjustable Handles 2K "Cockatoo"

two-component with internal thread, steel parts in stainless steel

INCH
Parts

METRIC
Parts



Material:

Handle:

Hard component in glass-fibre-reinforced plastic with die cast zinc toothed ring.

Soft component: Thermoflex based on SEBS.

Steel parts:

Stainless steel, 1.4305.

Type:

Steel parts natural finish.

Part Number Example:

K0126.1A001

Note:

The hard and soft components are supplied in black gray RAL 7021 as standard.

On request:

Other internal threads, color combinations and special versions.

Dimension "H1" can be produced in other lengths at an additional charge.

KIPP Adjustable Handles 2K with internal thread, steel parts in stainless steel, inch

Item No.	Size	X	T	D	D1	D2	H	H1	H2	H3	H4	A	A1	B	No. of teeth
K0126.1A001	1	10-24	9	10	15	16	24.5	4	10	30	33.5	40.1	48.1	10.1	16
K0126.1A101	1	10-32	9	10	15	16	24.5	4	10	30	33.5	40.1	48.1	10.1	16
K0126.1A201	1	1/4-20	9	10	15	16	24.5	4	10	30	33.5	40.1	48.1	10.1	16
K0126.2A201	2	1/4-20	12	13.5	17.5	19	28.5	6.5	12.5	41.2	45.2	64.9	74.4	17.6	20
K0126.2A301	2	5/16-18	12	13.5	17.5	19	28.5	6.5	12.5	41.2	45.2	64.9	74.4	17.6	20
K0126.3A301	3	5/16-18	14	16	21	22	37	10	17	51.6	56.1	80.2	91.2	20.7	22
K0126.3A401	3	3/8-16	14	16	21	22	37	10	17	51.6	56.1	80.2	91.2	20.7	22

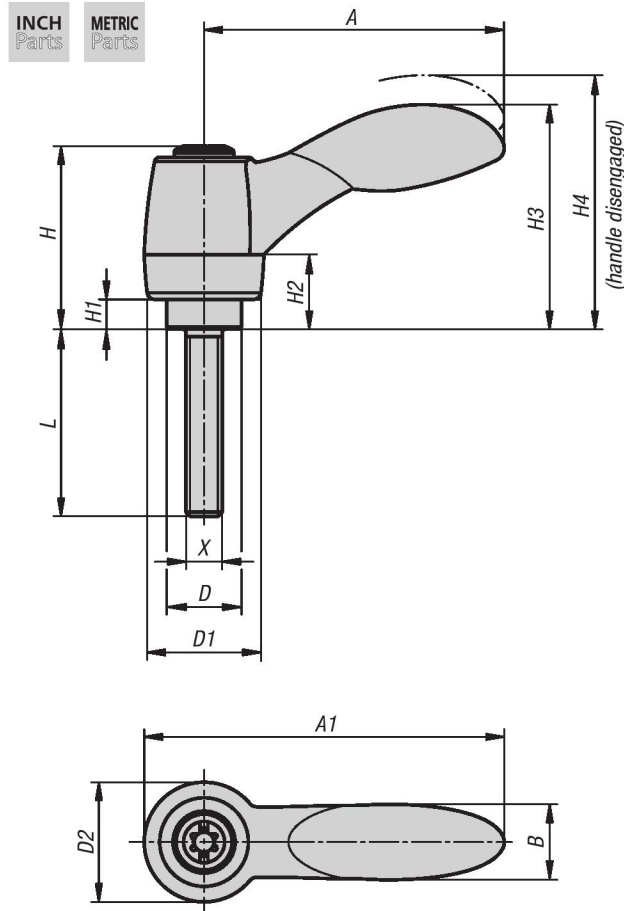
KIPP Adjustable Handles 2K with internal thread, steel parts in stainless steel, metric

Item No.	Size	X	T	D	D1	D2	H	H1	H2	H3	H4	A	A1	B	No. of teeth
K0126.10401	1	M4	9	10	15	16	24,5	4	10	30	33,5	40,1	48,1	10,1	16
K0126.10501	1	M5	9	10	15	16	24,5	4	10	30	33,5	40,1	48,1	10,1	16
K0126.10601	1	M6	9	10	15	16	24,5	4	10	30	33,5	40,1	48,1	10,1	16
K0126.20601	2	M6	12	13,5	17,5	19	28,5	6,5	12,5	41,2	45,2	64,9	74,4	17,6	20
K0126.20801	2	M8	12	13,5	17,5	19	28,5	6,5	12,5	41,2	45,2	64,9	74,4	17,6	20
K0126.30801	3	M8	14	16	21	22	37	10	17	51,6	56,1	80,2	91,2	20,7	22
K0126.31001	3	M10	14	16	21	22	37	10	17	51,6	56,1	80,2	91,2	20,7	22



Adjustable Handles 2K "Cockatoo"

two-component with external thread, steel parts in stainless steel



Material:

Handle:

Hard component in glass-fibre-reinforced plastic with die cast zinc toothed ring.

Soft component: Thermoflex based on SEBS.

Steel parts:

Stainless steel 1.4305

Type:

Steel parts natural finish.

Part Number Example:

K0126.1A001X10

(include length L)

Note:

The hard and soft components are supplied in black gray RAL 7021 as standard.

On request:

Other external threads, screw lengths, color combinations and special versions.

Dimension "H1" can be produced in other lengths at an additional charge.

KIPP Adjustable Handles 2K with external thread, steel parts in stainless steel, inch

Item No.	Size	X	D	D1	D2	H	H1	H2	H3	H4	A	A1	B	No. of teeth	L
K0126.1A001X	1	10-24	10	15	16	24.5	4	10	30	33.5	40.1	48.1	10.1	16	10/15/20/25
K0126.1A101X	1	10-32	10	15	16	24.5	4	10	30	33.5	40.1	48.1	10.1	16	10/15/20/25
K0126.1A201X	1	1/4-20	10	15	16	24.5	4	10	30	33.5	40.1	48.1	10.1	16	10/15/20/25/30/40/50
K0126.2A201X	2	1/4-20	13.5	17.5	19	28.5	6.5	12.5	41.2	45.2	64.9	74.4	17.6	20	15/20/25/30/40/50/60
K0126.2A301X	2	5/16-18	13.5	17.5	19	28.5	6.5	12.5	41.2	45.2	64.9	74.4	17.6	20	15/20/25/30/40/50/60
K0126.2A401X	2	3/8-16	13.5	17.5	19	28.5	6.5	12.5	41.2	45.2	64.9	74.4	17.6	20	20/25/30/40/50/60
K0126.3A301X	3	5/16-18	16	21	22	37	10	17	51.6	56.1	80.2	91.2	20.7	22	20/25/30/40/50/60
K0126.3A401X	3	3/8-16	16	21	22	37	10	17	51.6	56.1	80.2	91.2	20.7	22	20/25/30/40/50/60

KIPP Adjustable Handles 2K with external thread, steel parts in stainless steel, metric

Item No.	Size	X	D	D1	D2	H	H1	H2	H3	H4	A	A1	B	No. of teeth	L
K0126.10501X	1	M5	10	15	16	24,5	4	10	30	33,5	40,1	48,1	10,1	16	10/15/20/25
K0126.10601X	1	M6	10	15	16	24,5	4	10	30	33,5	40,1	48,1	10,1	16	10/15/20/25/30/40/50
K0126.20601X	2	M6	13,5	17,5	19	28,5	6,5	12,5	41,2	45,2	64,9	74,4	17,6	20	15/20/25/30/40/50/60
K0126.20801X	2	M8	13,5	17,5	19	28,5	6,5	12,5	41,2	45,2	64,9	74,4	17,6	20	15/20/25/30/40/50/60
K0126.21001X	2	M10	13,5	17,5	19	28,5	6,5	12,5	41,2	45,2	64,9	74,4	17,6	20	20/25/30/40/50/60
K0126.30801X	3	M8	16	21	22	37	10	17	51,6	56,1	80,2	91,2	20,7	22	20/25/30/40/50/60
K0126.31001X	3	M10	16	21	22	37	10	17	51,6	56,1	80,2	91,2	20,7	22	20/25/30/40/50/60