



Adjustable Handles

Classic Ball Style, Steel, internal thread

INCH Parts METRIC Parts

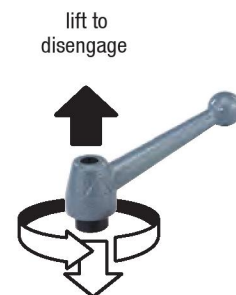
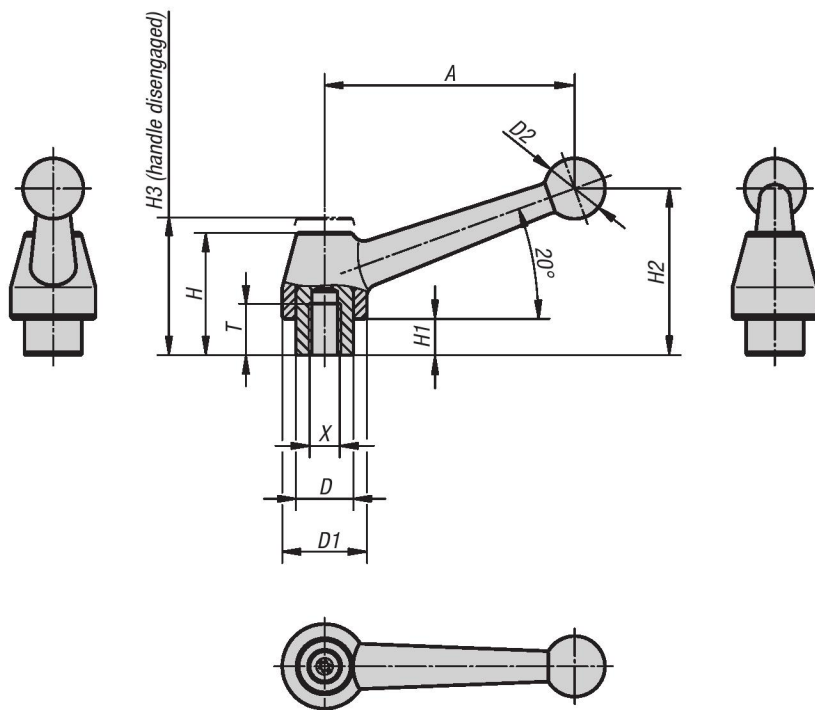


Material:
Handle 1.0401.
All other steel parts quality class 5.8.

Type:
Handle painted silver-gray with hammertone finish, steel parts black oxide finish.

Part Number Example:
K0120.1A3

On request:
Other internal threads and special versions.
Dimension "H1" can be produced in other lengths at an additional charge.



KIPP Adjustable Handles, Classic Ball Style, with internal thread, inch

Item No.	Version	Size	X	T	D	D1	D2	H	H1	H2	H3	A	No. of teeth
K0120.1A3	silver-gray steel	1	5/16-18	17	19	28	20	41	12	54	49	83	24
K0120.1A4	silver-gray steel	1	3/8-16	17	19	28	20	41	12	54	49	83	24
K0120.1A5	silver-gray steel	1	1/2-13	17	19	28	20	41	12	54	49	83	24
K0120.2A5	silver-gray steel	2	1/2-13	23	23	35	25	50	12	69	56	108	26
K0120.2A6	silver-gray steel	2	5/8-11	23	23	35	25	50	12	69	56	108	26
K0120.3A6	silver-gray steel	3	5/8-11	27	30	43	30	58.5	12	78	65	132	36
K0120.3A7	silver-gray steel	3	3/4-10	27	30	43	30	58.5	12	78	65	132	36

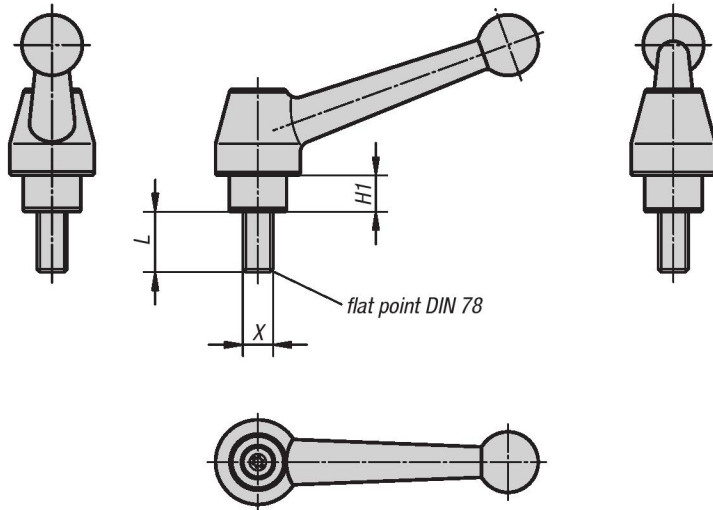
KIPP Adjustable Handles, Classic Ball Style, with internal thread, metric

Item No.	Version	Size	X	T	D	D1	D2	H	H1	H2	H3	A	No. of teeth
K0120.108	silver-gray steel	1	M8	17	19	28	20	41	12	54	49	83	24
K0120.110	silver-gray steel	1	M10	17	19	28	20	41	12	54	49	83	24
K0120.112	silver-gray steel	1	M12	17	19	28	20	41	12	54	49	83	24
K0120.212	silver-gray steel	2	M12	23	23	35	25	50	12	69	56	108	26
K0120.216	silver-gray steel	2	M16	23	23	35	25	50	12	69	56	108	26
K0120.316	silver-gray steel	3	M16	27	30	43	30	58,5	12	78	65	132	36
K0120.320	silver-gray steel	3	M20	27	30	43	30	58,5	12	78	65	132	36

Adjustable Handles

Classic Ball Style, Steel, external thread

INCH Parts
METRIC Parts



Material:

Handle 1.0401.

All other steel parts quality class 5.8.

Type:

Handle painted silver-gray with hammertone finish, steel parts black oxide finish.

Part Number Example:

K0120.1A4X20

(include length L)

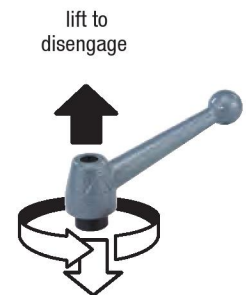
Note:

For other dimensions see adjustable handles with internal thread.

On request:

Other external threads, screw lengths and special versions.

Dimension "H1" can be produced in other lengths at an additional charge.



KIPP Adjustable Handles, Classic Ball Style, with external thread, inch

Item No.	Version	Size	X	H1	L
K0120.1A4X	silver-gray steel	1	3/8-16	12	20/30/40/45/50/60
K0120.1A5X	silver-gray steel	1	1/2-13	12	20/30/40/45/50/60
K0120.2A5X	silver-gray steel	2	1/2-13	12	25/30/40/45/50/60
K0120.2A6X	silver-gray steel	2	5/8-11	12	25/30/40/45/50/60
K0120.3A6X	silver-gray steel	3	5/8-11	12	30/40/50/60
K0120.3A7X	silver-gray steel	3	3/4-10	12	30/40/50/60

KIPP Adjustable Handles, Classic Ball Style, with external thread, metric

Item No.	Version	Size	X	H1	L
K0120.110X	silver-gray steel	1	M10	12	20/25/30/35/40/45/50/55/60/70/80/90
K0120.112X	silver-gray steel	1	M12	12	20/25/30/35/40/45/50/55/60/70/80/90
K0120.212X	silver-gray steel	2	M12	12	25/30/35/40/45/50/55/60/70/80/90
K0120.216X	silver-gray steel	2	M16	12	25/30/35/40/45/50/55/60/70/80/90
K0120.316X	silver-gray steel	3	M16	12	30/40/50/60/70/80/90
K0120.320X	silver-gray steel	3	M20	12	30/40/50/60/70/80/90