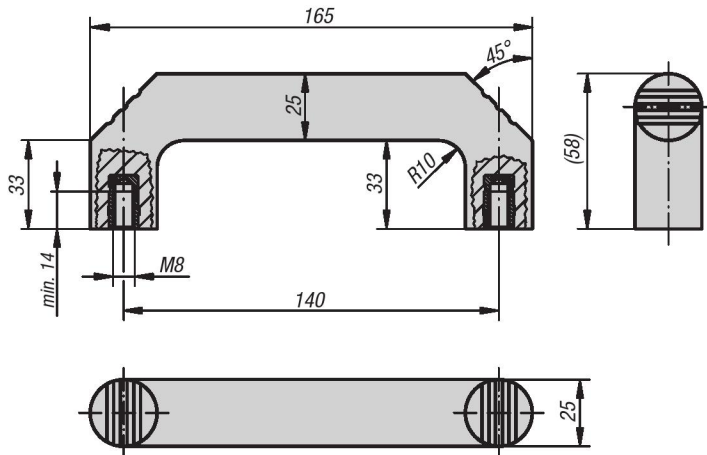


Pull Handles

duroplast

METRIC
Parts



Material:

Black Duroplast PF 31, bushing in brass or in galvanized steel

Type:

High-polish finish.

Part Number Example:

K0188.114008

KIPP Pull Handles duroplast, metric

Item No.	Bushing material	Load capacity N
K0188.114008	brass	500
K0188.214008	galvanized steel	500