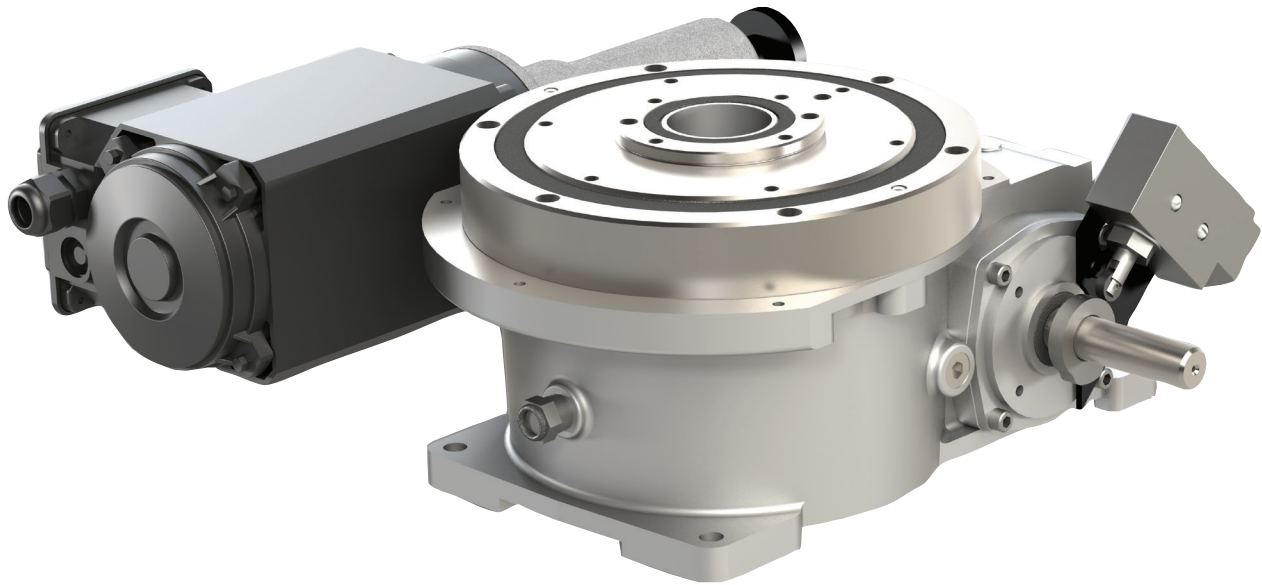


# RDM SERIES ROTARY INDEX DRIVES

Precision Indexing | Features, Table of Contents



## Features:

The **CAMCO RDM Series Index Drive** is ideal for rotary dial applications with features including:

Large output Mounting Surface supported by 4-point contact bearing offering superior thrust and moment capacity

Large Center Thru Hole

Low Profile

Complete, Motorized Drive Packages

Optional Output Overload Clutch

## Table of Contents

How to Order .....	40
80RDM .....	42
601RDM .....	44
902RDM .....	46
1100RDM .....	48
1305RDM .....	50
1800RDM .....	52

# RDM SERIES ROTARY INDEX DRIVES

## Precision Indexing | How To Order

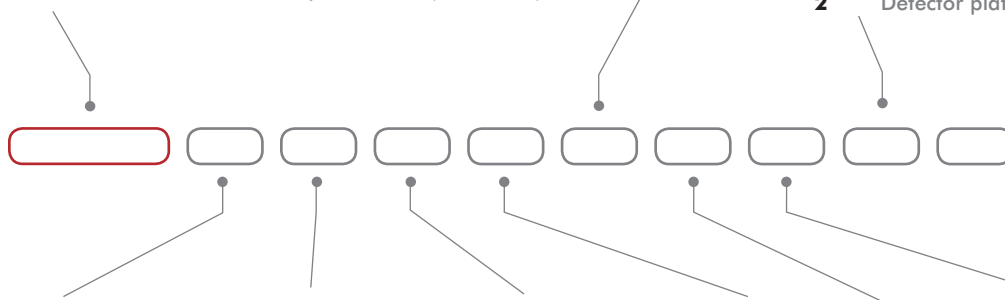
Base Model	Description
<b>80RDM</b>	w/ R180 reducer & 1/3 hp AC motor (220/440V)
<b>601RDM</b>	w/ R180 reducer & 1/3 hp AC motor (220/440V)
<b>902RDM</b>	w/ R225 reducer & 1 hp AC motor (220/440V)
<b>1100RDM</b>	w/ KH47 reducer & 1-1/2 hp AC motor (220/440V)
<b>1305RDM</b>	w/ 7300C reducer & 2 hp AC motor (220/440V)
<b>1800RDM</b>	w/ 7400C reducer & 3 hp AC motor (220/440V)

Control	Description
<b>1</b>	1 hp 120V 80RDM,601RDM & 902RDM only
<b>2</b>	1 hp 240V 80RDM,601RDM & 902RDM only
<b>3</b>	1 hp 440V 80RDM,601RDM & 902RDM only
<b>4</b>	2 hp 240V 1100RDM & 1305RDM only
<b>5</b>	2 hp 440V 1100RDM & 1305RDM only
<b>6</b>	3 hp 240V 1800RDM only
<b>7</b>	3 hp 440V 1800RDM only

Clutch	Description
<b>1</b>	Standard detector plate
<b>2</b>	Detector plate with hole

Setting	(in-lbs)
<b>A</b>	420
<b>B</b>	620
<b>C</b>	750
<b>D</b>	1150
<b>E</b>	1750
<b>F</b>	2950
<b>G</b>	4000

\* Eg: For 601RDM



Motion	Stops	Index Period
<b>A</b>	2	330
<b>B</b>	3	330
<b>C</b>	4	330
<b>D</b>	6	330
<b>E</b>	8	330
<b>F</b>	12	330
<b>G</b>	16	330

Index Mounting	(See Figure 3)
<b>1</b>	
<b>2</b>	
<b>3</b>	
<b>4</b>	
<b>5</b>	
<b>6</b>	

Reducer Ratio	1100RDM	
<b>A</b>	15	15.86
<b>B</b>	20	19.58
<b>C</b>	25	24.06
<b>D</b>	30	29.37
<b>E</b>	40	39.61
<b>F</b>	50	48.95
<b>G</b>	60	56.83
<b>H</b>	15	--

Reducer Mounting	(See Figure 4)
<b>A</b>	<b>J</b>
<b>B</b>	<b>K</b>
<b>C</b>	<b>L</b>
<b>D</b>	<b>M</b>
<b>E</b>	<b>N</b>
<b>F</b>	<b>P</b>
<b>G</b>	<b>R</b>
<b>H</b>	<b>S</b>

Signal Switch	Signal Switch Side
---------------	--------------------

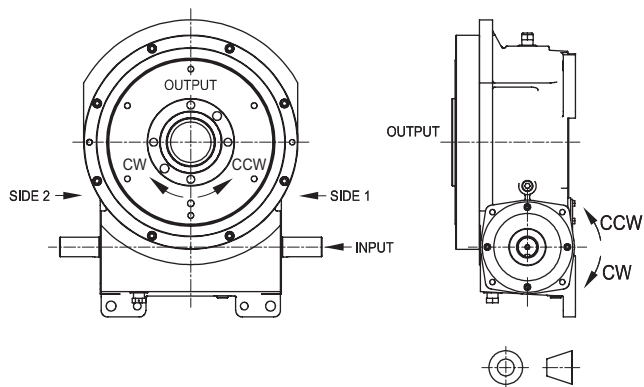
<b>M</b> Mechanical	<b>R</b> Reducer
<b>D</b> Double	<b>S</b> Shaft
<b>P</b> Proximity	

**Example: MR, MS, DR, DS, PR or PS**

Note about signal switch options:  
 a) Mechanical is a single switch with cam.  
 b) Proximity option is a mounting bracket for 8 or 12 mm proximity switch. A proximity switch will not be supplied. Cam supplied as target.

Other Motions (stops and index periods) available. Contact your DE-STA-CO sales representative for more information.

### Input Shaft Configuration/Rotation (Figure 1)



#### Relative Rotation for Right Hand Cam:

CW Input Side 1 CCW Output  
 CCW Input Side 2 CW Output

NOTE: Input can be driven in either direction

### Signal Switch Mounting Position (Figure 2)

