

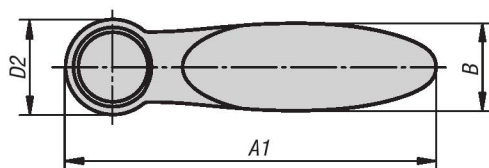
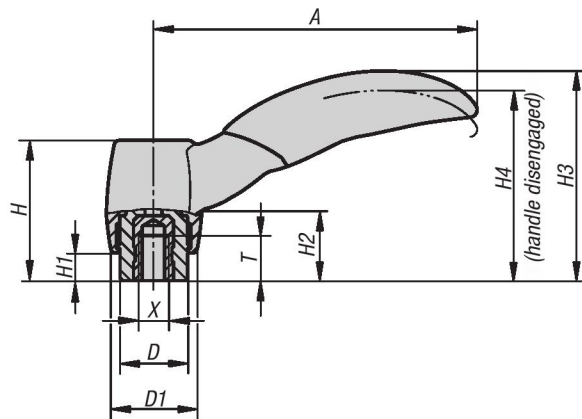


Adjustable Handles "TOUCAN"

internal thread

INCH Parts METRIC Parts

New Item



Material:

Handle and insert reinforced plastic.

For size 1 and 2, brass bush.

For size 3, steel bush.

Type:

Steel blue chromate.

Part Number Example:

K0252.1AE1

Note:

Standard color is black gray RAL 7021.

On request:

Other internal threads, colors and special versions at an additional charge.

KIPP Adjustable Handles "TOUCAN" internal thread, inch

Item No.	Size	X	T	D	D1	D2	H	H1	H2	H3	H4	A	A1	B	No. of teeth
K0252.1AE1	1	8-32	6	10	12.6	14.1	21.7	5	11.3	32	29.1	47.9	55	13	12
K0252.1A11	1	10-32	6	10	12.6	14.1	21.7	5	11.3	32	29.1	47.9	55	13	12
K0252.2A11	2	10-32	7.5	13.5	17	19	28	5.5	14	41.9	38	64.5	74	17.5	12
K0252.2A21	2	1/4-20	9	13.5	17	19	28	5.5	14	41.9	38	64.5	74	17.5	12
K0252.2A31	2	5/16-18	9	13.5	17	19	28	5.5	14	41.9	38	64.5	74	17.5	12
K0252.3A31	3	5/16-18	14.5	17	20.4	23.9	40.7	10	23.1	58.1	53.3	81.1	93	22	12
K0252.3A41	3	3/8-16	14.5	17	20.4	23.9	40.7	10	23.1	58.1	53.3	81.1	93	22	12

KIPP Adjustable Handles "TOUCAN" internal thread, metric

Item No.	Size	X	T	D	D1	D2	H	H1	H2	H3	H4	A	A1	B	No. of teeth
K0252.1041	1	M4	6	10	12,6	14,1	21,7	5	11,3	32	29,1	47,9	55	13	12
K0252.1051	1	M5	6	10	12,6	14,1	21,7	5	11,3	32	29,1	47,9	55	13	12
K0252.2051	2	M5	7,5	13,5	17	19	28	5,5	14	41,9	38	64,5	74	17,5	12
K0252.2061	2	M6	9	13,5	17	19	28	5,5	14	41,9	38	64,5	74	17,5	12
K0252.2081	2	M8	9	13,5	17	19	28	5,5	14	41,9	38	64,5	74	17,5	12
K0252.3081	3	M8	14,5	17	20,4	23,9	40,7	10	23,1	58,1	53,3	81,1	93	22	12
K0252.3101	3	M10	14,5	17	20,4	23,9	40,7	10	23,1	58,1	53,3	81,1	93	22	12



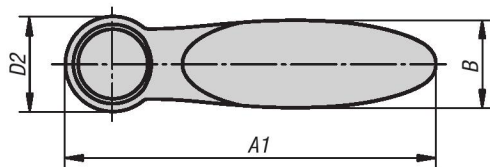
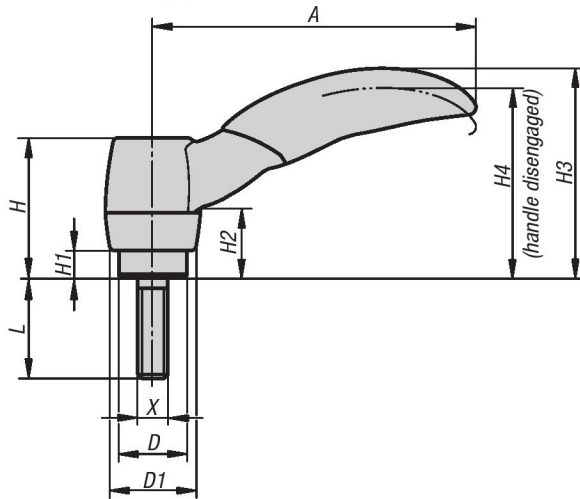
Adjustable Handles "TOUCAN"

external thread

INCH
Parts

METRIC
Parts

New Item



Material:

Handle and insert reinforced plastic.
Steel parts quality class 5.8.

Type:

Steel blue chromate.

Part Number Example:

K0252.1041X10
(include length L)

Note:

Standard color is black
gray RAL 7021.

On request:

Other external threads, colors and
special versions at an additional charge.

KIPP Adjustable Handles "TOUCAN" external thread, inch

Item No.	Size	X	D	D1	D2	H	H1	H2	H3	H4	A	A1	B	No. of teeth	L
K0252.1AE1X	1	8-32	10	12.6	14.1	21.7	5	11.3	32	29.1	47.9	55	13	12	10/20
K0252.1A11X	1	10-32	10	12.6	14.1	21.7	5	11.3	32	29.1	47.9	55	13	12	10/20
K0252.2A11X	2	10-32	13.5	17	19	28	5.5	14	41.9	38	64.5	74	17.5	12	20/30/40
K0252.2A21X	2	1/4-20	13.5	17	19	28	5.5	14	41.9	38	64.5	74	17.5	12	20/30/40
K0252.2A31X	2	5/16-18	13.5	17	19	28	5.5	14	41.9	38	64.5	74	17.5	12	20/30/40
K0252.3A31X	3	5/16-18	17	20.4	23.9	40.7	10	23.1	58.1	53.3	81.1	93	22	12	20/40/60
K0252.3A41X	3	3/8-16	17	20.4	23.9	40.7	10	23.1	58.1	53.3	81.1	93	22	12	20/40/60

KIPP Adjustable Handles "TOUCAN" external thread, metric

Item No.	Size	X	D	D1	D2	H	H1	H2	H3	H4	A	A1	B	No. of teeth	L
K0252.1041X	1	M4	10	12,6	14,1	21,7	5	11,3	32	29,1	47,9	55	13	12	10/15/20
K0252.1051X	1	M5	10	12,6	14,1	21,7	5	11,3	32	29,1	47,9	55	13	12	10/15/20/25
K0252.2051X	2	M5	13,5	17	19	28	5,5	14	41,9	38	64,5	74	17,5	12	10/15/20/25/30/40
K0252.2061X	2	M6	13,5	17	19	28	5,5	14	41,9	38	64,5	74	17,5	12	10/15/20/25/30/40
K0252.2081X	2	M8	13,5	17	19	28	5,5	14	41,9	38	64,5	74	17,5	12	10/15/20/25/30/40
K0252.3081X	3	M8	17	20,4	23,9	40,7	10	23,1	58,1	53,3	81,1	93	22	12	20/25/30/40/50/60
K0252.3101X	3	M10	17	20,4	23,9	40,7	10	23,1	58,1	53,3	81,1	93	22	12	20/25/30/40/50/60