



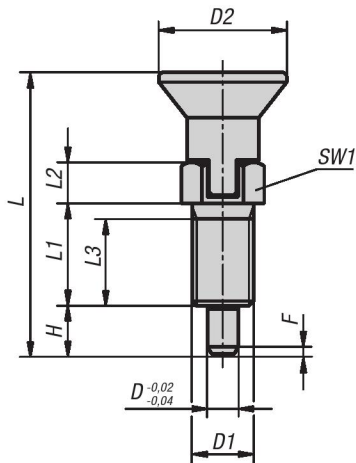
Indexing Plungers

pull knob, with extended locking pin

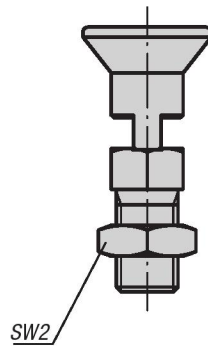
INCH
Parts



Style C
with locking slot
without locknut



Style D
with locking slot
with locknut



Material:

- Steel version, locking pin hardened: quality class 5.8
- Stainless steel version, locking pin hardened: threaded sleeve 1.4305 locking pin 1.4034
- Stainless steel version, locking pin not hardened: threaded sleeve 1.4305 locking pin 1.4305

Mushroom knob in black gray thermoplastic

Type:

- Steel version, locking pin hardened: black oxide finish, locking pin ground
- Stainless steel version, locking pin hardened: natural finish, locking pin ground
- Stainless steel version, locking pin not hardened: natural finish, locking pin ground

Part Number Example:

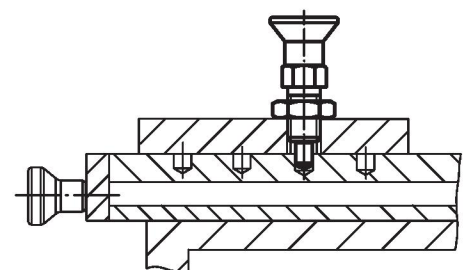
K0630.21903AJ

Note:

Indexing plungers are used to prevent any change in locking position due to lateral forces. A new locking position can only be set after the pin has been manually disengaged.

On request:

Special versions and spacer rings.





Indexing Plungers

pull knob, with extended locking pin

KIPP Indexing Plungers with extended locking pin, pull knob, steel, locking pin hardened, inch

Item No. Style A	Item No. Style B	D	D1	D2	L	L1	L2	L3	H	SW1	SW2	F x 30°	Spring force initial pressure F1 approx. N	Spring force final pressure F2 approx. N
K0630.21903AJ	K0630.22903AJ	3	1/4-28	14	33	12	5	10	5	8	-17/16	.8	4.5	12
K0630.21004AK	K0630.22004AK	4	5/16-24	18	40.5	15	6	13	6	10	-11/2	1	6	15
K0630.21105AL	K0630.22105AL	5	3/8-24	21	46.5	17	7	15	8	13	-19/16	1.3	5	16
K0630.21206A5	K0630.22206A5	6	1/2-13	25	55	20	8	17	9	14	-13/4	1.8	6	18
K0630.21308A6	K0630.22308A6	8	5/8-11	33	72	26	10	23	12	19	-115/16	2.3	15	45
K0630.21410A7	K0630.22410A7	10	3/4-10	33	79	28	12	25	15	22	-111/8	2.8	15	43
K0630.21412A0	K0630.22412A0	12	3/4-16	33	84	28	14	25	18	22	-111/8	2.8	15	51
K0630.21516A8	K0630.22516A8	16	1"-8	40	104	32	18	28	24	27	-111/2	3.2	20	60

KIPP Indexing Plungers with extended locking pin, pull knob, stainless steel, locking pin hardened, inch

Item No. Style A	Item No. Style B	D	D1	D2	L	L1	L2	L3	H	SW1	SW2	F x 30°	Spring force initial pressure F1 approx. N	Spring force final pressure F2 approx. N
K0630.201903AJ	K0630.202903AJ	3	1/4-28	14	33	12	5	10	5	8	-17/16	.8	4.5	12
K0630.201004AK	K0630.202004AK	4	5/16-24	18	40.5	15	6	13	6	10	-11/2	1	6	15
K0630.201105AL	K0630.202105AL	5	3/8-24	21	46.5	17	7	15	8	13	-19/16	1.3	5	16
K0630.201206A5	K0630.202206A5	6	1/2-13	25	55	20	8	17	9	14	-13/4	1.8	6	18
K0630.201308A6	K0630.202308A6	8	5/8-11	33	72	26	10	23	12	19	-115/16	2.3	15	45
K0630.201410A7	K0630.202410A7	10	3/4-10	33	79	28	12	25	15	22	-111/8	2.8	15	43
K0630.201412A0	K0630.202412A0	12	3/4-16	33	84	28	14	25	18	22	-111/8	2.8	15	51
K0630.201516A8	K0630.202516A8	16	1"-8	40	104	32	18	28	24	27	-111/2	3.2	20	60

KIPP Indexing Plungers with extended locking pin, pull knob, stainless steel, locking pin not hardened, inch

Item No. Style A	Item No. Style B	D	D1	D2	L	L1	L2	L3	H	SW1	SW2	F x 30°	Spring force initial pressure F1 approx. N	Spring force final pressure F2 approx. N
K0630.211903AJ	K0630.212903AJ	3	1/4-28	14	33	12	5	10	5	8	-17/16	.8	4.5	12
K0630.211004AK	K0630.212004AK	4	5/16-24	18	40.5	15	6	13	6	10	-11/2	1	6	15
K0630.211105AL	K0630.212105AL	5	3/8-24	21	46.5	17	7	15	8	13	-19/16	1.3	5	16
K0630.211206A5	K0630.212206A5	6	1/2-13	25	55	20	8	17	9	14	-13/4	1.8	6	18
K0630.211308A6	K0630.212308A6	8	5/8-11	33	72	26	10	23	12	19	-115/16	2.3	15	45
K0630.211410A7	K0630.212410A7	10	3/4-10	33	79	28	12	25	15	22	-111/8	2.8	15	43
K0630.211412A0	K0630.212412A0	12	3/4-16	33	84	28	14	25	18	22	-111/8	2.8	15	51
K0630.211516A8	K0630.212516A8	16	1"-8	40	104	32	18	28	24	27	-111/2	3.2	20	60



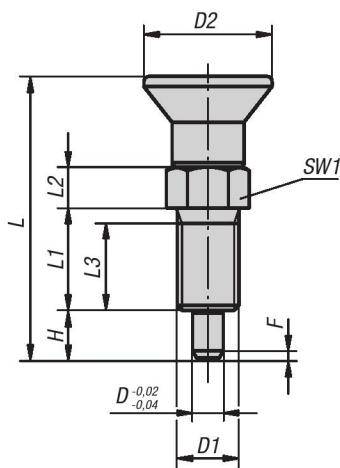
Indexing Plungers

pull knob, with extended locking pin

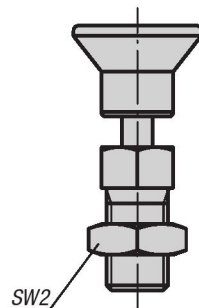
METRIC
Parts



Style A
non-lockout type
without locknut



Style B
non-lockout type
with locknut



Material:

- Steel version, locking pin hardened: quality class 5.8
- Stainless steel version, locking pin hardened: threaded sleeve 1.4305 locking pin 1.4034
- Stainless steel version, locking pin not hardened: threaded sleeve 1.4305 locking pin 1.4305

Mushroom knob in black gray thermoplastic

Type:

- Steel version, locking pin hardened: black oxide finish, locking pin ground
- Stainless steel version, locking pin hardened: natural finish, locking pin ground
- Stainless steel version, locking pin not hardened: natural finish, locking pin ground

Part Number Example:

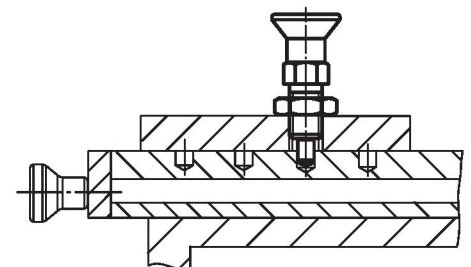
K0630.21903AJ

Note:

Indexing plungers are used to prevent any change in locking position due to lateral forces. A new locking position can only be set after the pin has been manually disengaged.

On request:

Special versions and spacer rings.





Indexing Plungers

pull knob, with extended locking pin

KIPP Indexing Plungers with extended locking pin, pull knob, steel, locking pin hardened, metric

Item No. Style A	Item No. Style B	D	D1	D2	L	L1	L2	L3	H	SW1	SW2	F x 30°	Spring force initial pressure F1 approx. N	Spring force final pressure F2 approx. N
K0630.21903	K0630.22903	3	M6x0,75	14	33	12	5	10	5	8	- / 10	0,8	4,5	12
K0630.21004	K0630.22004	4	M8x1	18	40,5	15	6	13	6	10	- / 13	1	6	15
K0630.21105	K0630.22105	5	M10x1	21	46,5	17	7	15	8	13	- / 17	1,3	5	16
K0630.21206	K0630.22206	6	M12x1,5	25	54,7	20	8	17	9	14	- / 19	1,8	6	18
K0630.21308	K0630.22308	8	M16x1,5	33	72	26	10	23	12	19	- / 24	2,3	15	45
K0630.21410	K0630.22410	10	M20x1,5	33	79	28	12	25	15	22	- / 30	2,8	15	43
K0630.21412	K0630.22412	12	M20x1,5	33	84	28	14	25	18	22	- / 30	2,8	15	51
K0630.21516	K0630.22516	16	M24x2	40	104	32	18	28	24	27	- / 36	3,2	20	60

KIPP Indexing Plungers with extended locking pin, pull knob, stainless steel, locking pin hardened, metric

Item No. Style A	Item No. Style B	D	D1	D2	L	L1	L2	L3	H	SW1	SW2	F x 30°	Spring force initial pressure F1 approx. N	Spring force final pressure F2 approx. N
K0630.201903	K0630.202903	3	M6x0,75	14	33	12	5	10	5	8	- / 10	0,8	4,5	12
K0630.201004	K0630.202004	4	M8x1	18	40,5	15	6	13	6	10	- / 13	1	6	15
K0630.201105	K0630.202105	5	M10x1	21	46,5	17	7	15	8	13	- / 17	1,3	5	16
K0630.201206	K0630.202206	6	M12x1,5	25	54,7	20	8	17	9	14	- / 19	1,8	6	18
K0630.201308	K0630.202308	8	M16x1,5	33	72	26	10	23	12	19	- / 24	2,3	15	45
K0630.201410	K0630.202410	10	M20x1,5	33	79	28	12	25	15	22	- / 30	2,8	15	43
K0630.201412	K0630.202412	12	M20x1,5	33	84	28	14	25	18	22	- / 30	2,8	15	51
K0630.201516	K0630.202516	16	M24x2	40	104	32	18	28	24	27	- / 36	3,2	20	60

KIPP Indexing Plungers with extended locking pin, pull knob, stainless steel, locking pin not hardened, metric

Item No. Style A	Item No. Style B	D	D1	D2	L	L1	L2	L3	H	SW1	SW2	F x 30°	Spring force initial pressure F1 approx. N	Spring force final pressure F2 approx. N
K0630.211903	K0630.212903	3	M6x0,75	14	33	12	5	10	5	8	- / 10	0,8	4,5	12
K0630.211004	K0630.212004	4	M8x1	18	40,5	15	6	13	6	10	- / 13	1	6	15
K0630.211105	K0630.212105	5	M10x1	21	46,5	17	7	15	8	13	- / 17	1,3	5	16
K0630.211206	K0630.212206	6	M12x1,5	25	54,7	20	8	17	9	14	- / 19	1,8	6	18
K0630.211308	K0630.212308	8	M16x1,5	33	72	26	10	23	12	19	- / 24	2,3	15	45
K0630.211410	K0630.212410	10	M20x1,5	33	79	28	12	25	15	22	- / 30	2,8	15	43
K0630.211412	K0630.212412	12	M20x1,5	33	84	28	14	25	18	22	- / 30	2,8	15	51
K0630.211516	K0630.212516	16	M24x2	40	104	32	18	28	24	27	- / 36	3,2	20	60