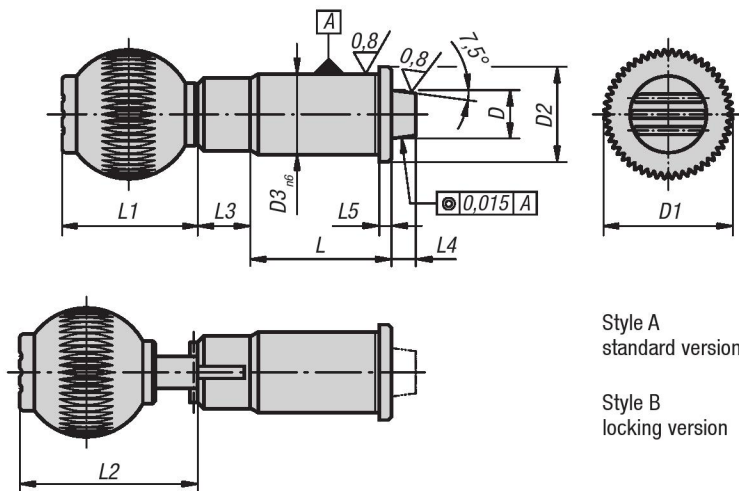


Precision Indexing Plungers

with tapered pins

METRIC
Parts



Style A
standard version

Style B
locking version

Material:

Steel, grip ball thermoplastic

Type:

Hardened and ground, grip ball black gray

Part Number Example:

K0359.010

Note:

The Indexing Plungers with bushings are a perfect combination for rapid positioning and fixing. The precise design of both the Indexing Plunger and the bushing guarantees high repeating accuracy when assembling two elements.

Technical information see assembly and installation instructions.

KIPP Precision indexing plungers with tapered pins, metric

Item No. Style A	Item No. Style B	D	D1	D2	D3	L	L1	L2	L3	L4 min.	L5	Spring force initial pressure F1 approx. N	Spring force final pressure F2 approx. N	Internal thread Grip Ball
K0359.010	K0359.110	10	25	19	16	31	25	-/32,5	13	6	2,5	19	29	M6
K0359.012	K0359.112	12	32	23	20	35	33	-/40,5	13	6	3	22	35	M8
K0359.016	K0359.116	16	40	28	25	42	41,5	-/49	13	6	3	30	50	M10
K0359.020	K0359.120	20	40	33	30	50	41,5	-/49	13	6	3	46	63	M10
K0359.025	K0359.125	25	50	42	38	60	51	-/58,5	13	6	3	39	73	M10