

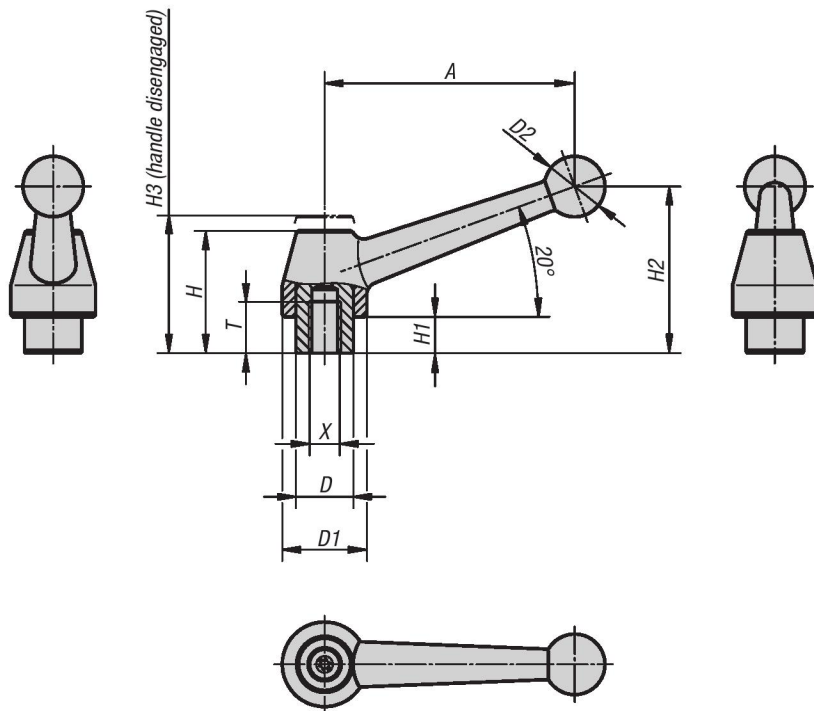
Adjustable Handles

Classic Ball Style, Stainless steel components, internal thread



INCH Parts

METRIC Parts



Material:

Handle in stainless steel 1.4308;
all other steel parts stainless steel 1.4305

Type:

Handle in stainless steel electrolytic-polish.
Steel parts natural finish.

Part Number Example:

K0121.11A3

On request:

Other internal threads and special versions.
Dimension "H1" can be produced in other lengths at an additional charge.



KIPP Adjustable Handles, Classic Ball Style, with internal thread, inch

Item No.	Version	Size	X	T	D	D1	D2	H	H1	H2	H3	A	No. of teeth
K0121.11A3	electrolytic-polish stainless steel	1	5/16-18	17	19	28	20	41	12	54	49	83	24
K0121.11A4	electrolytic-polish stainless steel	1	3/8-16	17	19	28	20	41	12	54	49	83	24
K0121.11A5	electrolytic-polish stainless steel	1	1/2-13	17	19	28	20	41	12	54	49	83	24

KIPP Adjustable Handles, Classic Ball Style, with internal thread, metric

Item No.	Version	Size	X	T	D	D1	D2	H	H1	H2	H3	A	No. of teeth
K0121.1108	electrolytic-polish stainless steel	1	M8	17	19	28	20	41	12	54	49	83	24
K0121.1110	electrolytic-polish stainless steel	1	M10	17	19	28	20	41	12	54	49	83	24
K0121.1112	electrolytic-polish stainless steel	1	M12	17	19	28	20	41	12	54	49	83	24

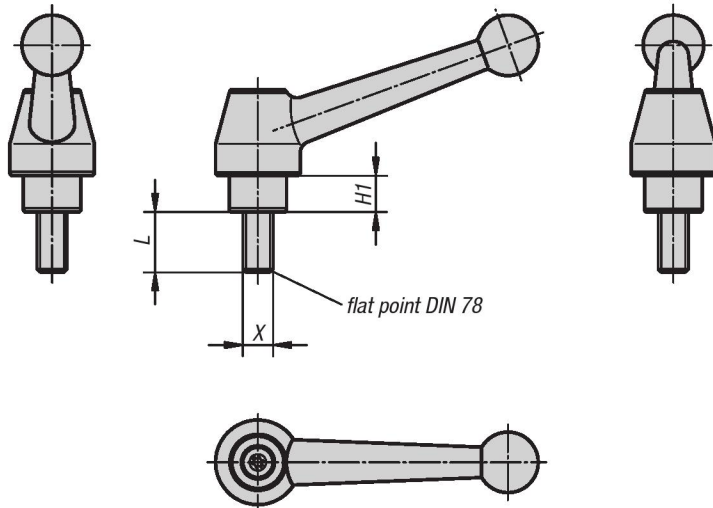
Adjustable Handles

Classic Ball Style, Stainless steel components, external thread



INCH
Parts

METRIC
Parts



Material:

Handle in stainless steel 1.4308;
all other steel parts stainless steel 1.4305

Type:

Handle in stainless steel electrolytic-polish.
Steel parts natural finish.

Part Number Example:

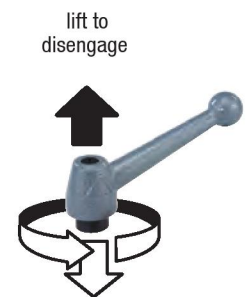
K0121.11A4X20
(include length L)

Note:

For other dimensions see adjustable handles
with internal thread.

On request:

Other external threads, screw lengths and
special versions.
Dimension "H1" can be produced in other
lengths at an additional charge.



KIPP Adjustable Handles, Classic Ball Style, with external thread, inch

Item No.	Version	Size	X	H1	L
K0121.11A4X	electrolytic-polish stainless steel	1	3/8-16	12	20/30/40/45/50/60
K0121.11A5X	electrolytic-polish stainless steel	1	1/2-13	12	20/30/40/45/50/60

KIPP Adjustable Handles, Classic Ball Style, with external thread, metric

Item No.	Version	Size	X	H1	L
K0121.1110X	electrolytic-polish stainless steel	1	M10	12	25/30/40/50/60
K0121.1112X	electrolytic-polish stainless steel	1	M12	12	25/30/40/50/60