



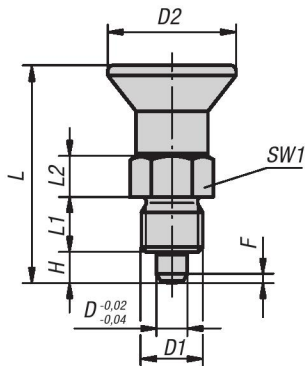
Indexing Plungers

pull knob, short version

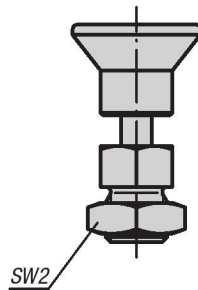
INCH Parts
METRIC Parts



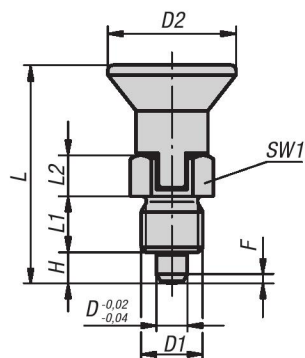
Style A
non-lockout type
without locknut



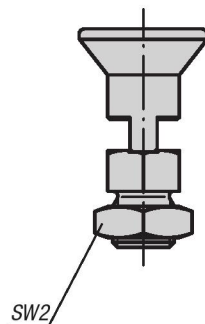
Style B
non-lockout type
with locknut



Style C
lockout type
without locknut



Style D
lockout type
with locknut



Material:

- Steel version, locking pin hardened: quality class 5.8
- Stainless steel version, locking pin not hardened: threaded sleeve 1.4305 locking pin 1.4305

Mushroom knob black gray thermoplastic.

Type:

- Steel version, locking pin hardened: black oxide finish, locking pin ground
- Stainless steel version, locking pin not hardened: natural finish, locking pin ground

Part Number Example:

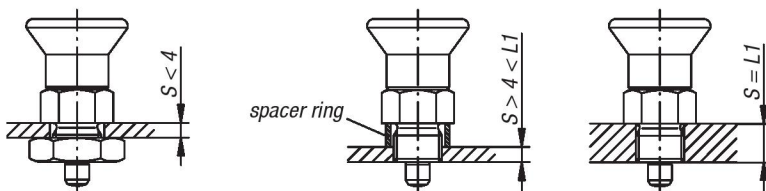
K0631.5004AK

Note:

Indexing plungers are used to prevent any change in position due to lateral forces. A new locking position can only be set after the pin has been manually disengaged. Style C or D is recommended for applications in which the pin is disengaged over extended periods and should be prevented from springing back.

On request:

Special versions and spacer rings.





Indexing Plungers

pull knob, short version

KIPP Indexing Plungers short version, pull knob, steel, locking pin hardened, inch

Item No. Style A	Item No. Style B	Item No. Style C	Item No. Style D	D	D1	D2	L	L1	L2	H	SW1	SW2	F x 30°	Spring force initial pressure F1 approx. N	Spring force final pressure F2 approx. N
K0631.5004AK	K0631.6004AK	K0631.7004AK	K0631.8004AK	4	5/16-24	18	29.5	6	6	4	10	-11/21-11/2	1	6	12
K0631.5105AL	K0631.6105AL	K0631.7105AL	K0631.8105AL	5	3/8-24	21	34.5	8	7	5	13	-19/161-19/16	1.3	5	12
K0631.5206A5	K0631.6206A5	K0631.7206A5	K0631.8206A5	6	1/2-13	25	41.7	10	8	6	14	-13/41-13/4	1.8	6	14
K0631.5308A6	K0631.6308A6	K0631.7308A6	K0631.8308A6	8	5/8-11	33	54	12	10	8	19	-115/161-115/16	2.3	14	28
K0631.5410A7	K0631.6410A7	K0631.7410A7	K0631.8410A7	10	3/4-10	33	61	15	12	10	22	-111/81-111/8	2.8	15	32

KIPP Indexing Plungers, short version, pull knob, stainless steel, locking pin not hardened, inch

Item No. Style A	Item No. Style B	Item No. Style C	Item No. Style D	D	D1	D2	L	L1	L2	H	SW1	SW2	F x 30°	Spring force initial pressure F1 approx. N	Spring force final pressure F2 approx. N
K0631.15004AK	K0631.16004AK	K0631.17004AK	K0631.18004AK	4	5/16-24	18	29.5	6	6	4	10	-11/21-11/2	1	6	12
K0631.15105AL	K0631.16105AL	K0631.17105AL	K0631.18105AL	5	3/8-24	21	34.5	8	7	5	13	-19/161-19/16	1.3	5	12
K0631.15206A5	K0631.16206A5	K0631.17206A5	K0631.18206A5	6	1/2-13	25	41.7	10	8	6	14	-13/41-13/4	1.8	6	14
K0631.15308A6	K0631.16308A6	K0631.17308A6	K0631.18308A6	8	5/8-11	33	54	12	10	8	19	-115/161-115/16	2.3	14	28
K0631.15410A7	K0631.16410A7	K0631.17410A7	K0631.18410A7	10	3/4-10	33	61	15	12	10	22	-111/81-111/8	2.8	15	32

KIPP Indexing Plungers short version, pull knob, steel, locking pin hardened, metric

Item No. Style A	Item No. Style B	Item No. Style C	Item No. Style D	D	D1	D2	L	L1	L2	H	SW1	SW2	F x 30°	Spring force initial pressure F1 approx. N	Spring force final pressure F2 approx. N
K0631.5903	K0631.6903	K0631.7903	K0631.8903	3	M6x0,75	14	25,5	6	5	3,5	8	- / 10 / - / 10	0,8	4	10
K0631.5004	K0631.6004	K0631.7004	K0631.8004	4	M8x1	18	29,5	6	6	4	10	- / 13 / - / 13	1	4	12
K0631.5105	K0631.6105	K0631.7105	K0631.8105	5	M10x1	21	34,5	8	7	5	13	- / 17 / - / 17	1,3	5	12
K0631.5206	K0631.6206	K0631.7206	K0631.8206	6	M12x1,5	25	41,7	10	8	6	14	- / 19 / - / 19	1,8	6	14
K0631.5308	K0631.6308	K0631.7308	K0631.8308	8	M16x1,5	33	54	12	10	8	19	- / 24 / - / 24	2,3	14	28
K0631.5410	K0631.6410	K0631.7410	K0631.8410	10	M20x1,5	33	61	15	12	10	22	- / 30 / - / 30	2,8	15	32

KIPP Indexing Plungers, short version, pull knob, stainless steel, locking pin not hardened, metric

Item No. Style A	Item No. Style B	Item No. Style C	Item No. Style D	D	D1	D2	L	L1	L2	H	SW1	SW2	F x 30°	Spring force initial pressure F1 approx. N	Spring force final pressure F2 approx. N
K0631.15903	K0631.16903	K0631.17903	K0631.18903	3	M6x0,75	14	25,5	6	5	3,5	8	- / 10 / - / 10	0,8	4	10
K0631.15004	K0631.16004	K0631.17004	K0631.18004	4	M8x1	18	29,5	6	6	4	10	- / 13 / - / 13	1	4	12
K0631.15105	K0631.16105	K0631.17105	K0631.18105	5	M10x1	21	34,5	8	7	5	13	- / 17 / - / 17	1,3	5	12
K0631.15206	K0631.16206	K0631.17206	K0631.18206	6	M12x1,5	25	41,7	10	8	6	14	- / 19 / - / 19	1,8	6	14
K0631.15308	K0631.16308	K0631.17308	K0631.18308	8	M16x1,5	33	54	12	10	8	19	- / 24 / - / 24	2,3	14	28
K0631.15410	K0631.16410	K0631.17410	K0631.18410	10	M20x1,5	33	61	15	12	10	22	- / 30 / - / 30	2,8	15	32