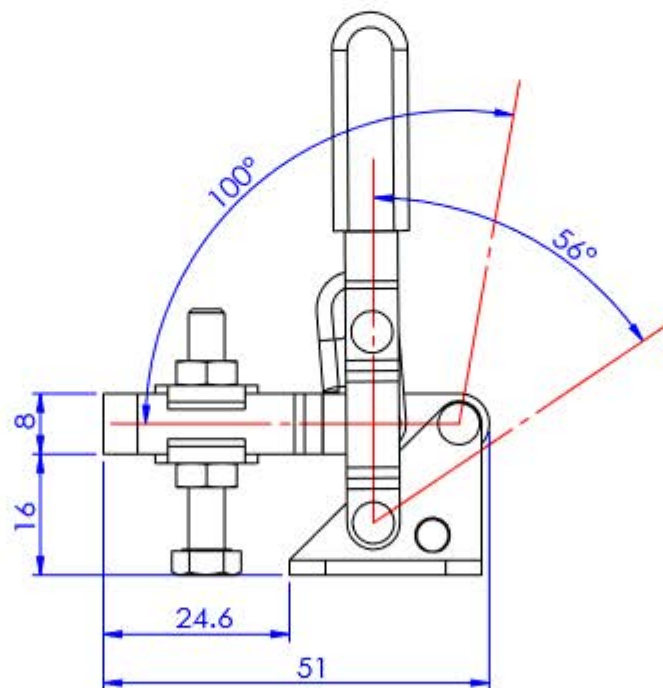
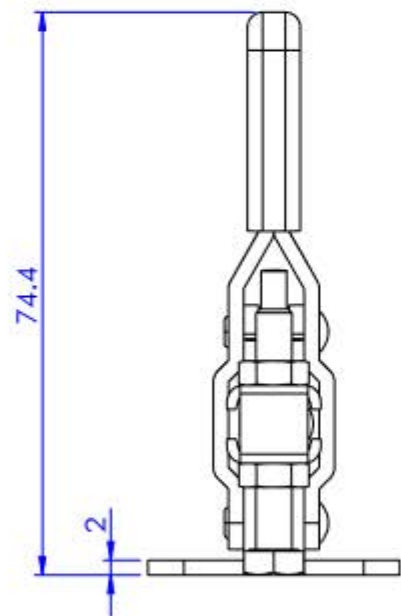
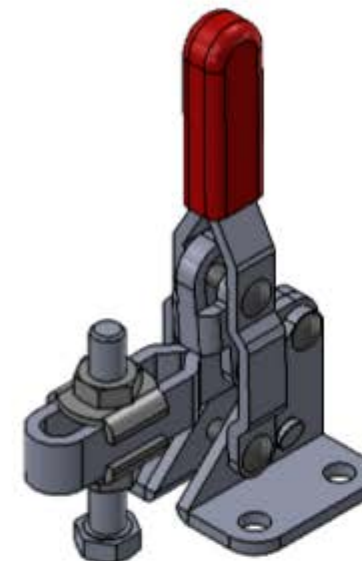
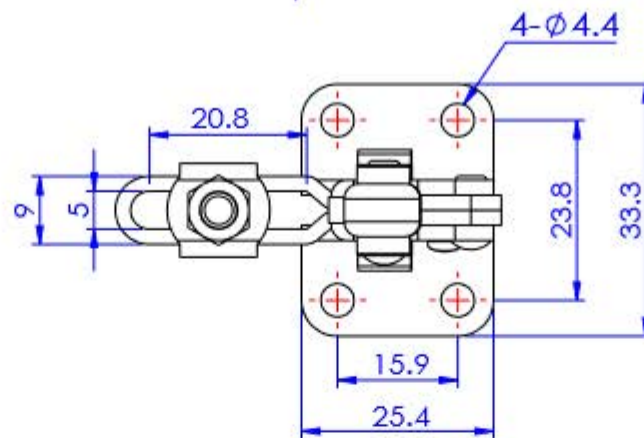


Part No:	GH-101-ASS
Holding Capacity:	50Kg
Bar Opens:	100°
Handle Opens:	56°
Weight:	0.064Kg
Spindle Supplied:	SA-053008-SS
Flanged Washers:	FW-100-SS



Unit:mm

Scale: 1:1

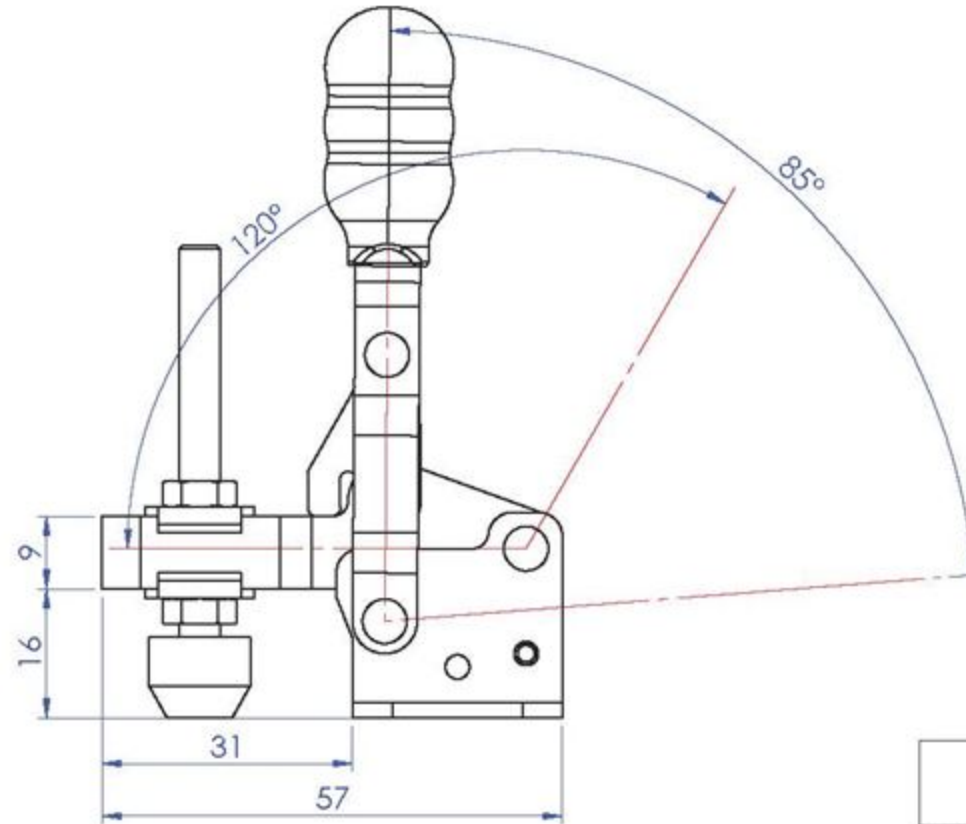
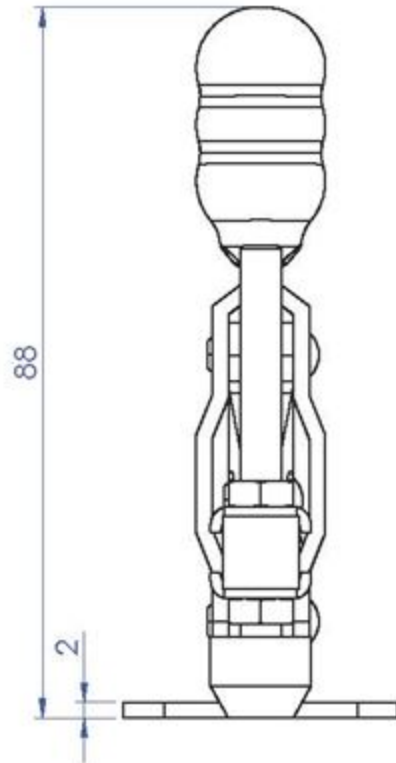
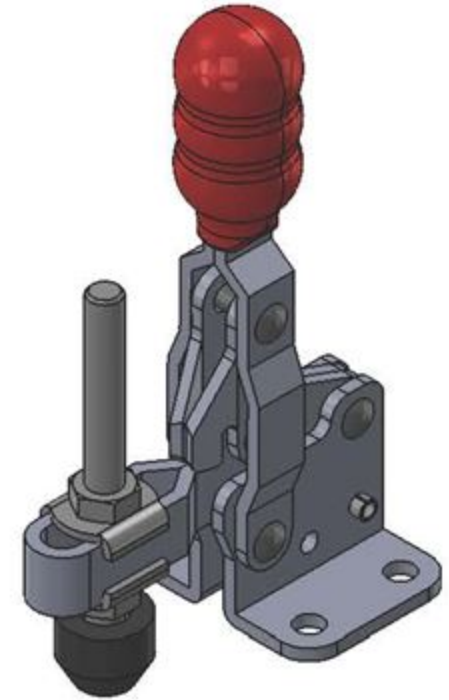
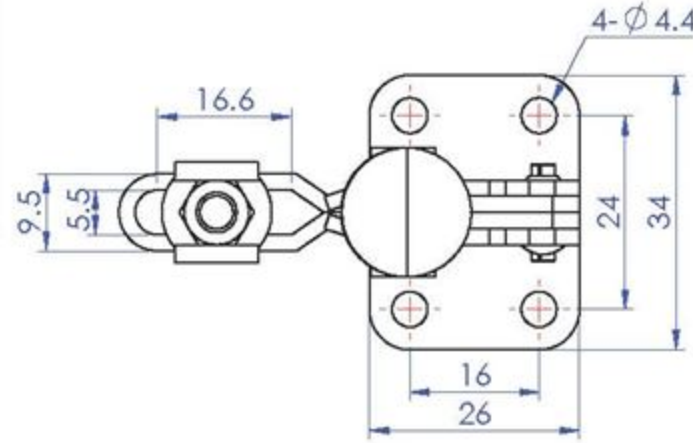
Good Hand UK Ltd

TITLE:

DWG NO. GH-101-ASS

A4

Part No:	GH-10752-BSS
Holding Capacity:	75Kg
Bar Opens:	120°
Handle Opens:	85°
Weight:	0.091Kg
Spindle Supplied:	SA-054008-SS + NC-05
Flanged Washers:	FW-100-SS



Unit:mm
Scale: 1:1

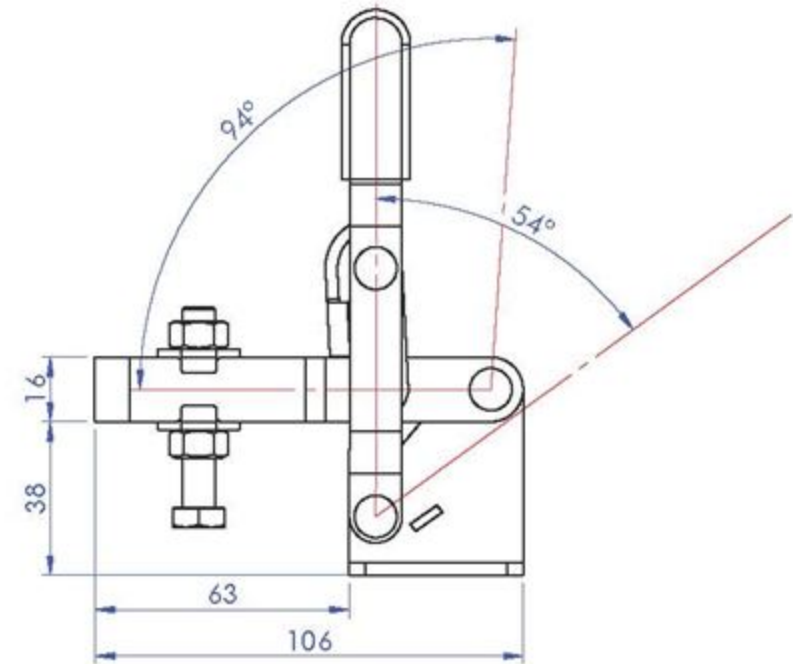
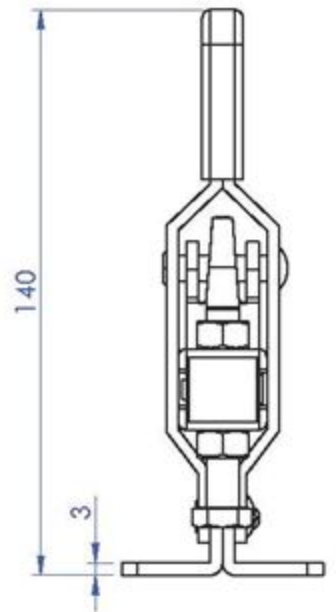
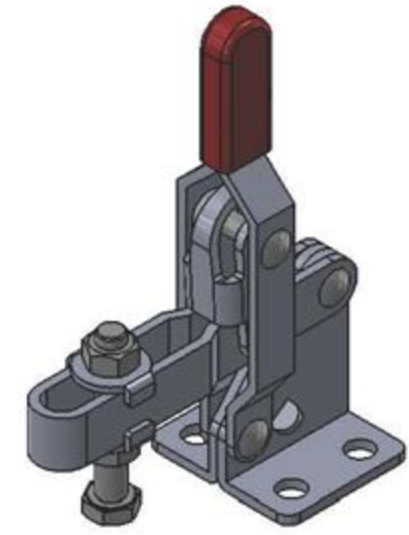
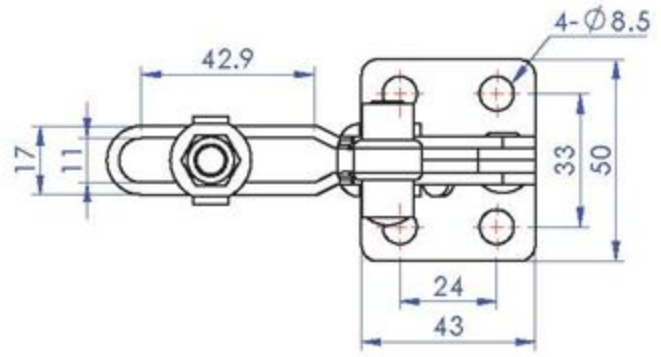
Good Hand UK Ltd

TITLE:

DWG NO. GH-10752-BSS

A4

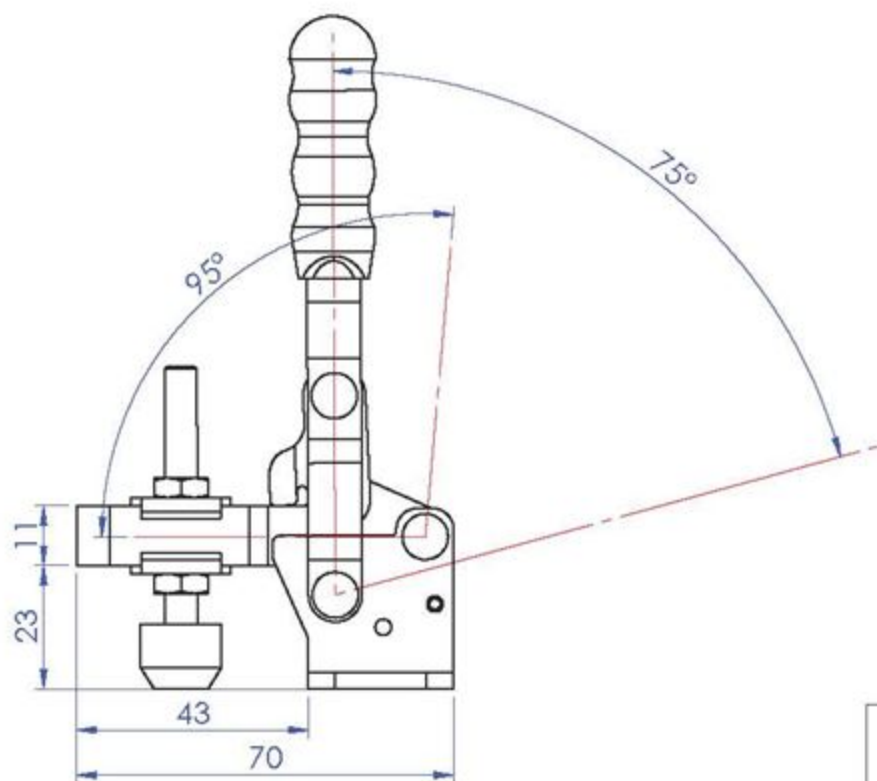
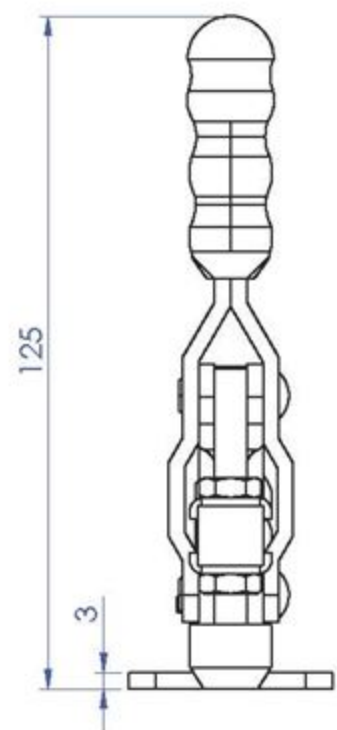
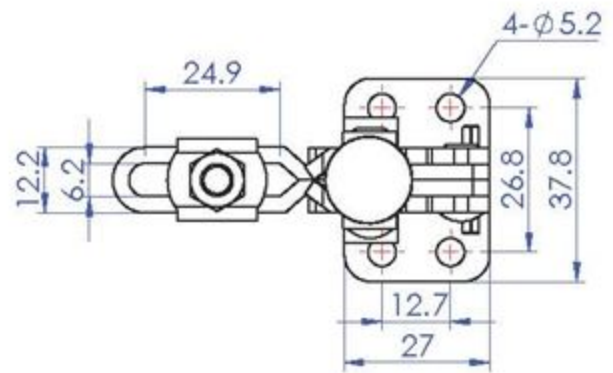
Part No:	GH-11421-SS
Holding Capacity:	200Kg
Bar Opens:	94°
Handle Opens:	54°
Weight:	0.366Kg
Spindle Supplied:	SA-085012-SS
Flanged Washers:	FW-380-SS



Unit:mm
Scale: 1:2

Good Hand UK Ltd	
TITLE:	
DWG NO.	GH-11421-SS
	A4

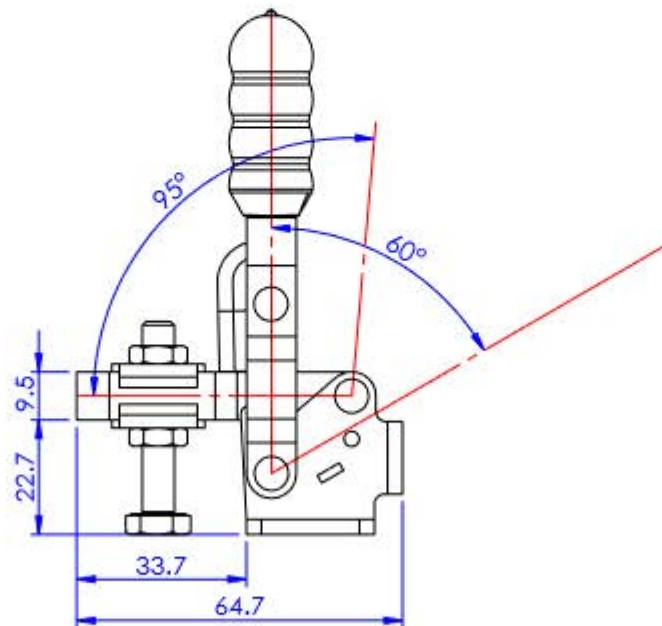
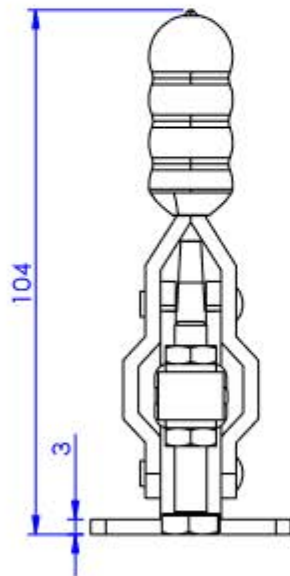
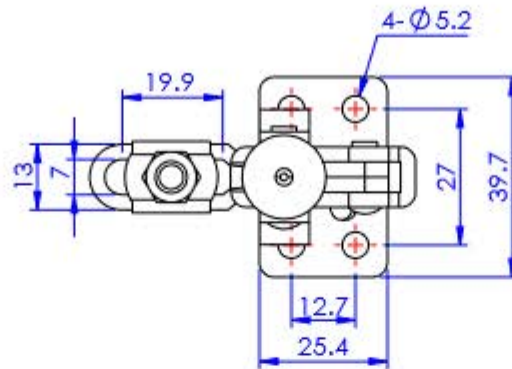
Part No:	GH-11502-BSS
Holding Capacity:	150Kg
Bar Opens:	95° / 185°
Handle Opens:	75° / 110°
Weight:	0.19Kg
Spindle Supplied:	SA-065010-SS + NC-06
Flanged Washers:	FW-142-SS



Unit:mm
Scale: 1:1.5

Good Hand UK Ltd	
TITLE:	
DWG NO.	GH-11502-BSS
	A4

Part No:	GH-12050-USS
Holding Capacity:	91Kg
Bar Opens:	95°
Handle Opens:	60°
Weight:	0.17Kg
Spindle Supplied:	SA-064010-SS
Flanged Washers:	FW-142



Unit:mm
Scale: 1:1.5

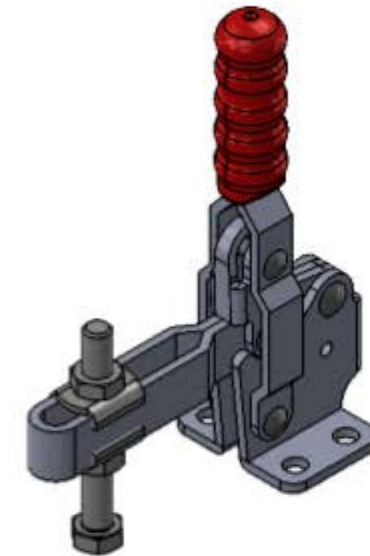
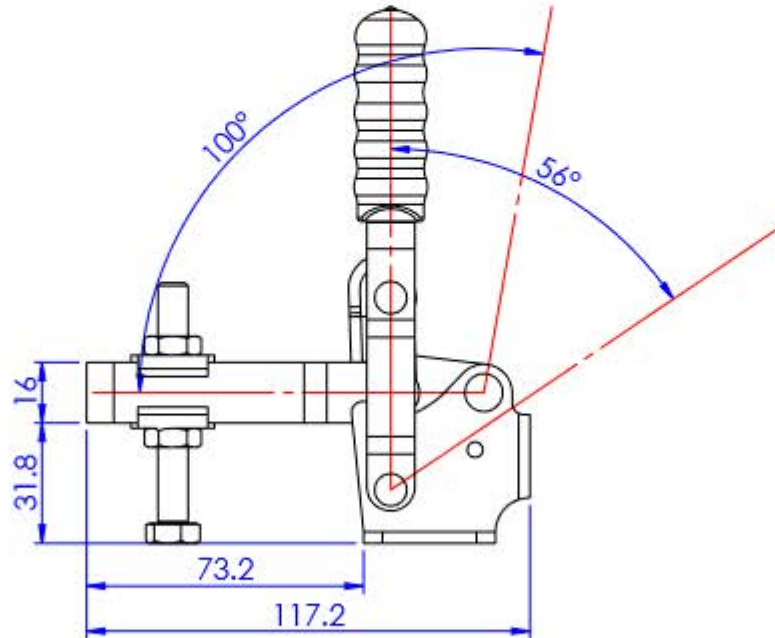
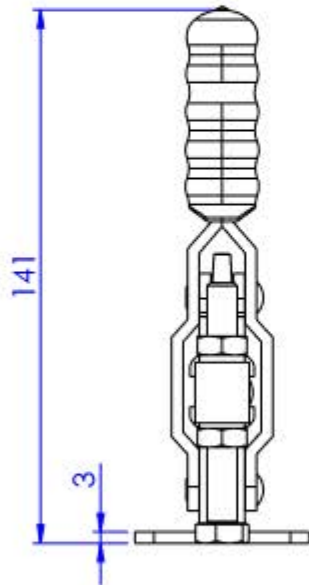
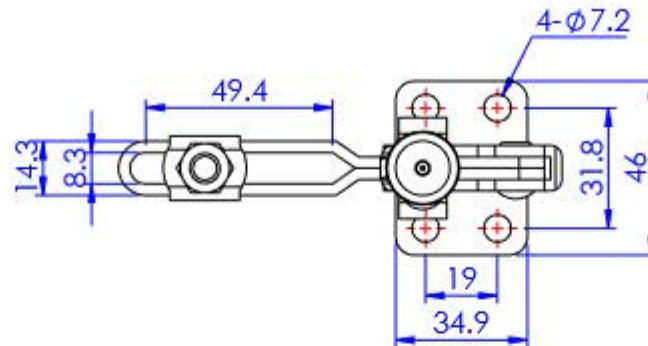
Good Hand UK Ltd

TITLE:

DWG NO. GH-12050-USS

A4

Part No:	GH-12130-SS
Holding Capacity:	227Kg
Bar Opens:	100°
Handle Opens:	56°
Weight:	0.355Kg
Spindle Supplied:	SA-085012-SS
Flanged Washers:	FW-516-SS



Unit:mm

Scale: 1:2

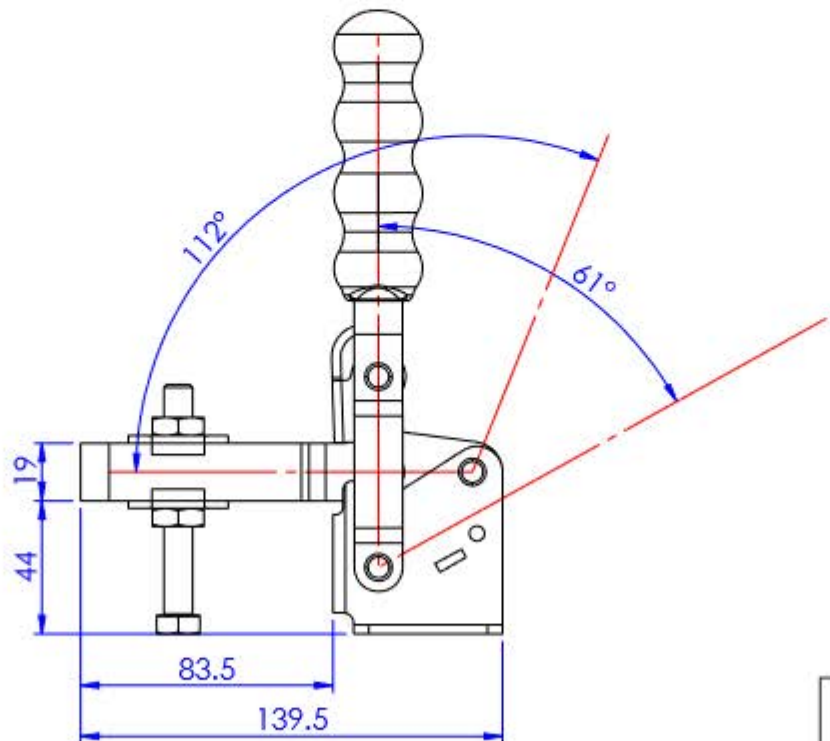
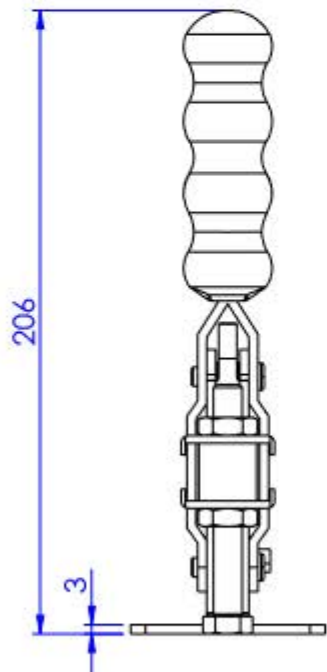
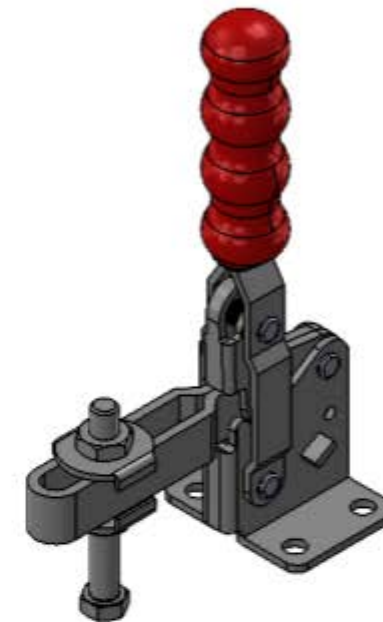
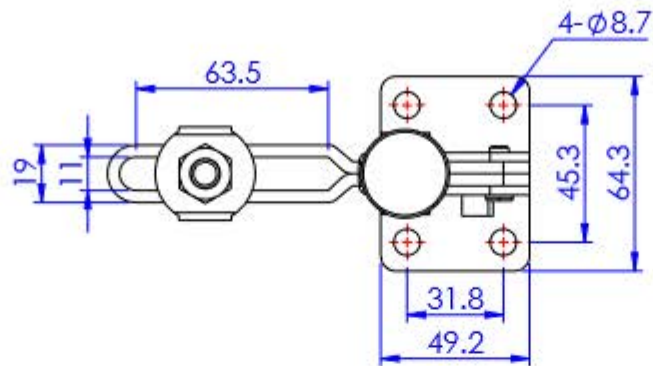
Good Hand UK Ltd

TITLE:

DWG NO. GH-12130-SS

A4

Part No:	GH-12265-SS
Holding Capacity:	340Kg
Bar Opens:	112°
Handle Opens:	61°
Weight:	0.635Kg
Spindle Supplied:	SA-107515-SS
Flanged Washers:	FW-380-SS



Unit:mm

Scale: 1:2.5

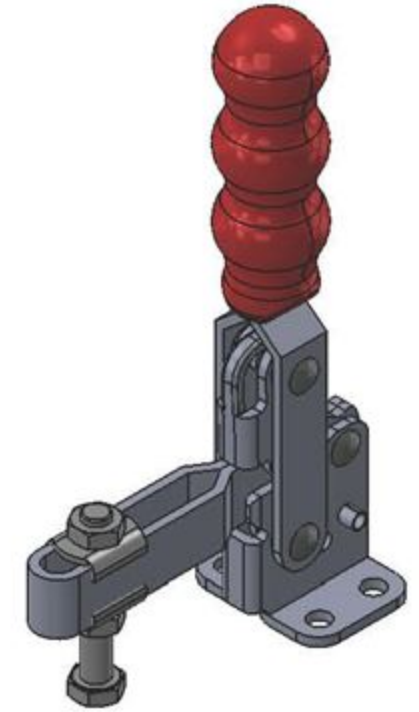
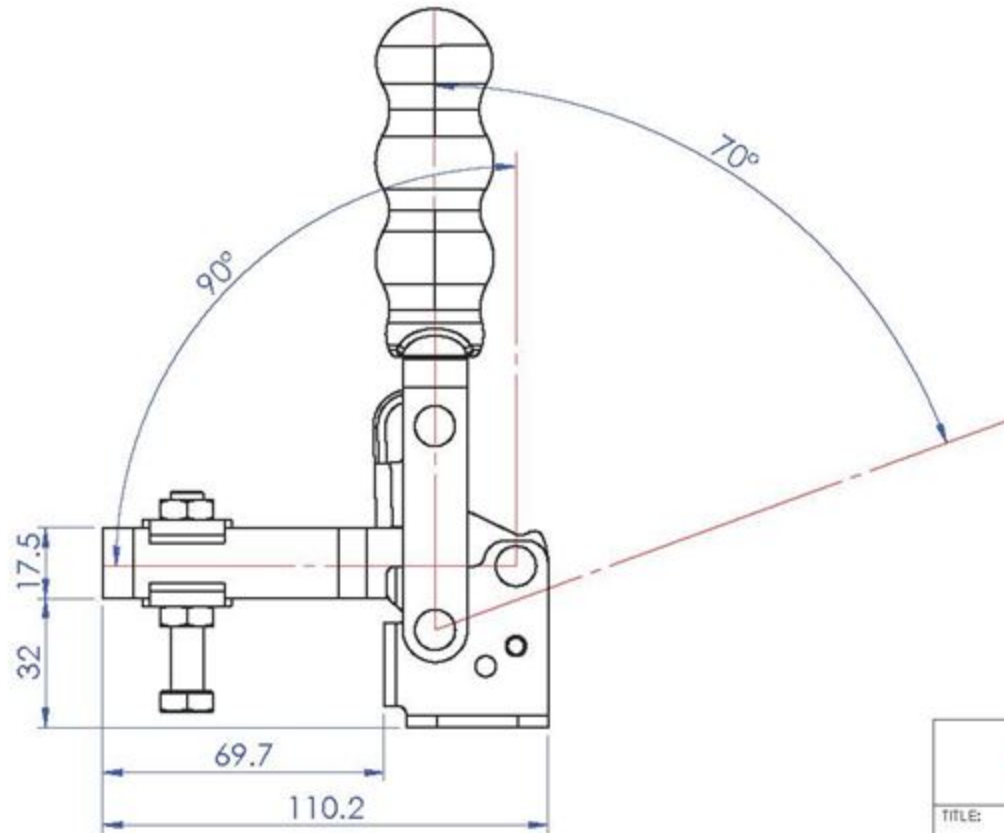
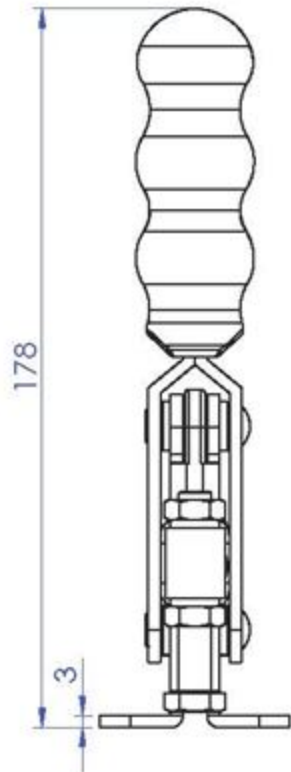
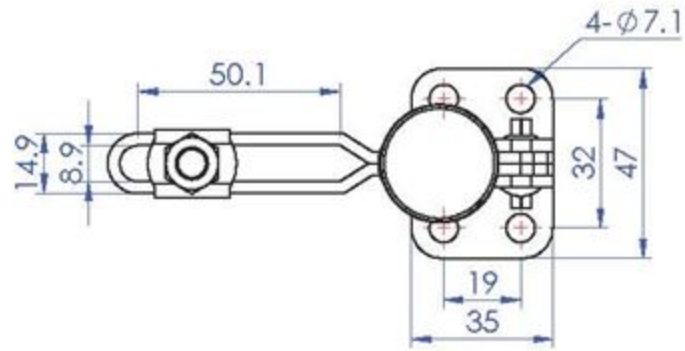
Good Hand UK Ltd

TITLE:

DWG NO. GH-12265-SS

A4

Part No:	GH-12502-BSS
Holding Capacity:	250Kg
Bar Opens:	90° / 150°
Handle Opens:	70° / 100°
Weight:	0.435Kg
Spindle Supplied:	SA-086512-SS
Flanged Washers:	FW-516-SS



Unit:mm

Scale: 1:2

Good Hand UK Ltd

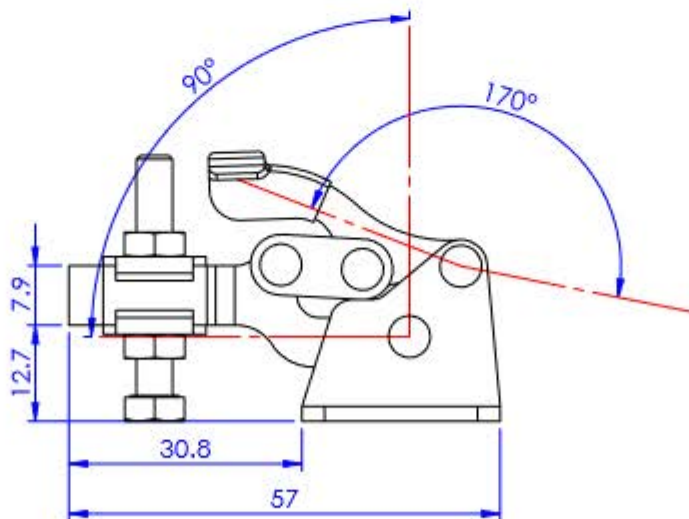
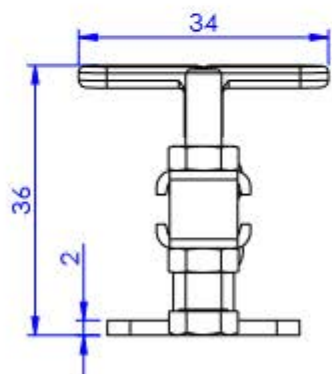
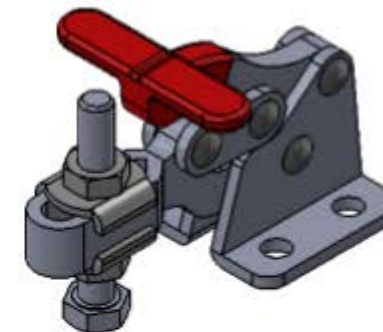
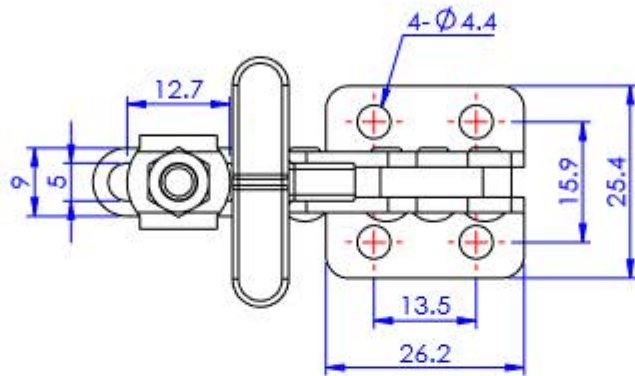
TITLE:

DWG NO.

GH-12502-BSS

A4

Part No:	GH-13005-SS
Holding Capacity:	68Kg
Bar Opens:	90°
Handle Opens:	170°
Weight:	0.06Kg
Spindle Supplied:	SA-053008-SS
Flanged Washers:	FW-100-SS



Unit:mm

Scale: 1:1

Good Hand UK Ltd

TITLE:

DWG NO.

GH-13005-SS

A4