

82P50, 82P63 SERIES

Pneumatic Pin Clamps and Packages | Ordering Information

82P50-720 **D8** **A** **0** **01** **00**

Base Model
82P50-720
82P63-720

Description
 Size 50mm
 Size 63mm

Tolerance Description
A 0-6mm tolerance compensation

Sensor Description
00 No sensor
D8 Sensor with In-line Connector M12x1
 (Replacement Order No.: 8EA-151-1)



82P50

Max Clamping Force
 1800 N at 6bar



82P63

Max Clamping Force
 3000 N at 6bar

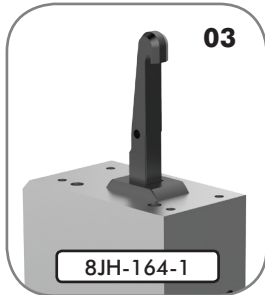
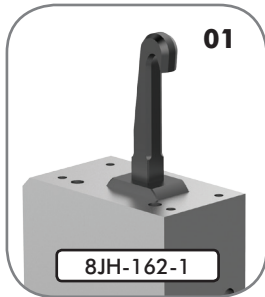


Specification	Unit	82P50	82P63
Clamping Force @ 5 bar	N [lbf]	1500 [337]	2500 [562]
Max. Operating Pressure	bar [psi]	6 [87]	6 [87]
Air Consumption			
Clamping @ 6 bar	liter [in ³]	0,66 [40.28]	0,92 [56.14]
Opening @ 6 bar	liter [in ³]	0,33 [20.13]	0,46 [28.07]
Weight	kg [lb]	3,2 [7.05]	3,9 [8.59]
Time:			
Clamping	sec	0,3	0,3
Opening	sec	0,3	0,3

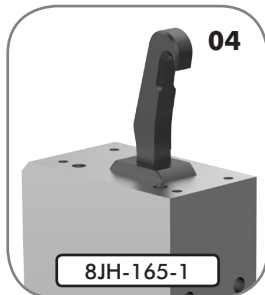
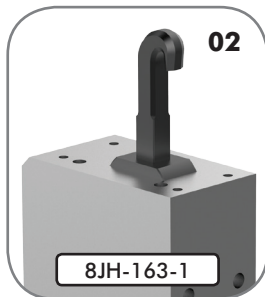
82P50, 82P63 SERIES

Pneumatic Pin Clamps and Packages | Ordering Information

Hooks For 82P50



Hooks For 82P63



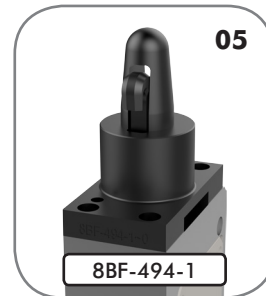
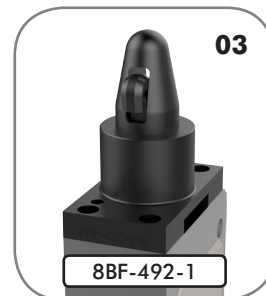
Tips For 82P50 with Hook

00	None	01 or 03
01	18mm Round	01 or 03
02	20mm Round	01 or 03
06	19,9mm Round	01 or 03
07	19,9mm Diamond	01 or 03



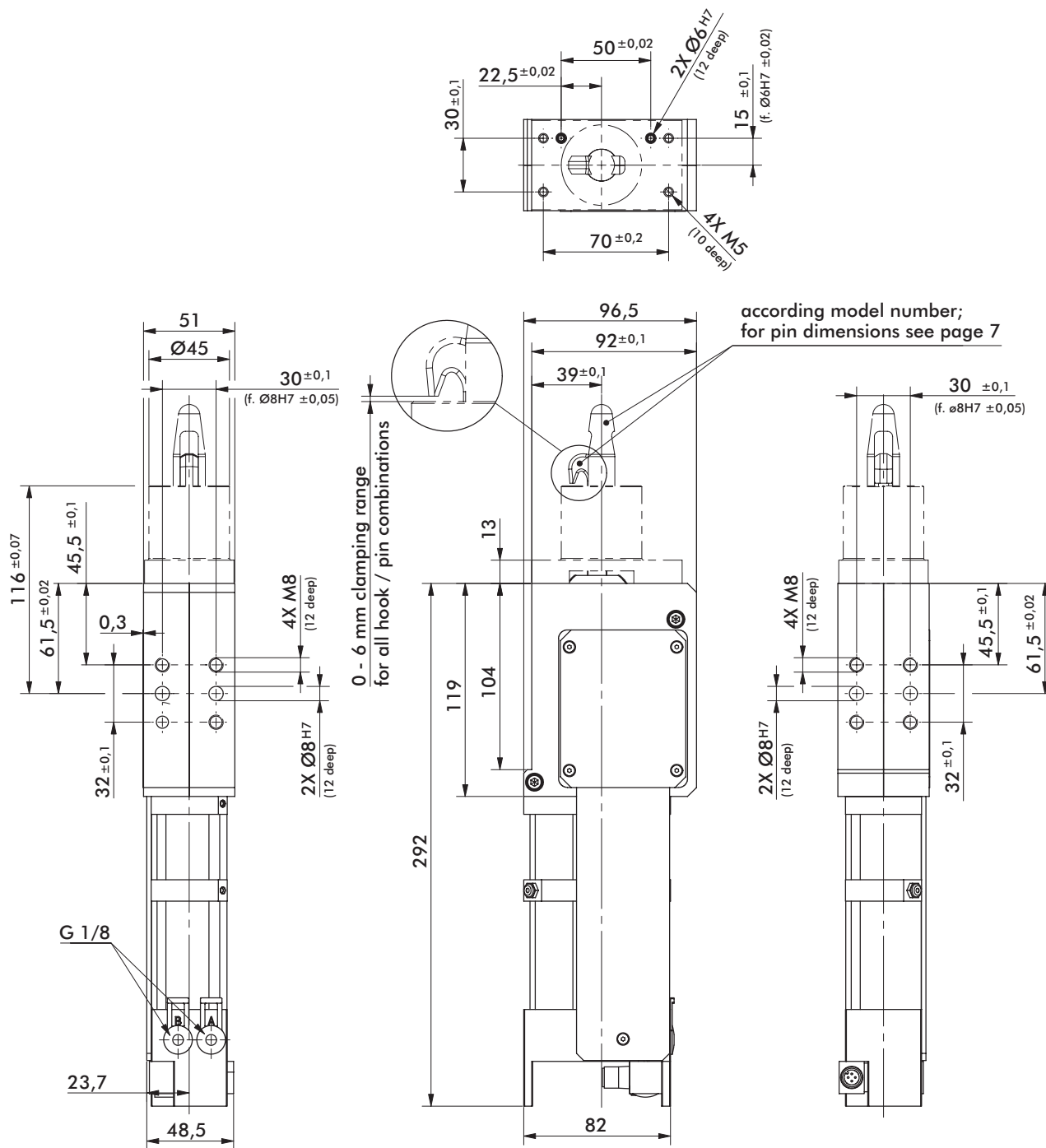
Tips For 82P63 with Hook

00	None	02 or 04
03	30mm Round	02
04	30mm Diamond	02
05	25mm Round	02
08	23mm Round	02
09	28mm Round	02
10	40mm Round	04
11	40mm Diamond	04

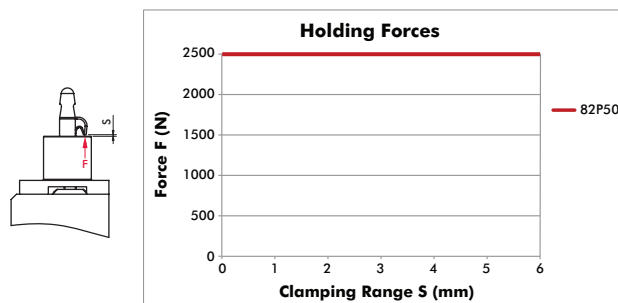
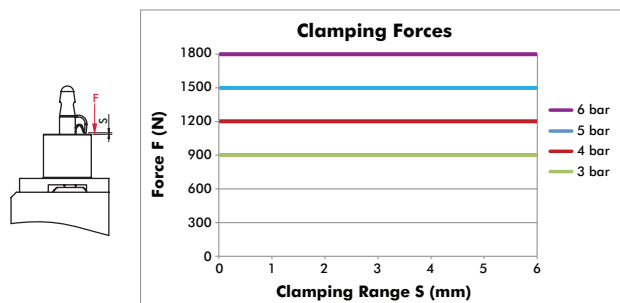


82P50 SERIES

Pneumatic Pin Clamps and Packages | Dimensions and Technical Information

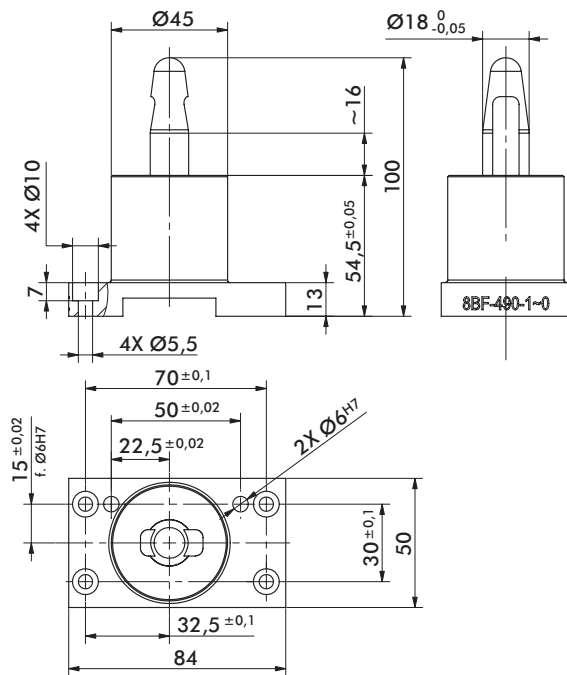


Operation with oil-free air is permissible.

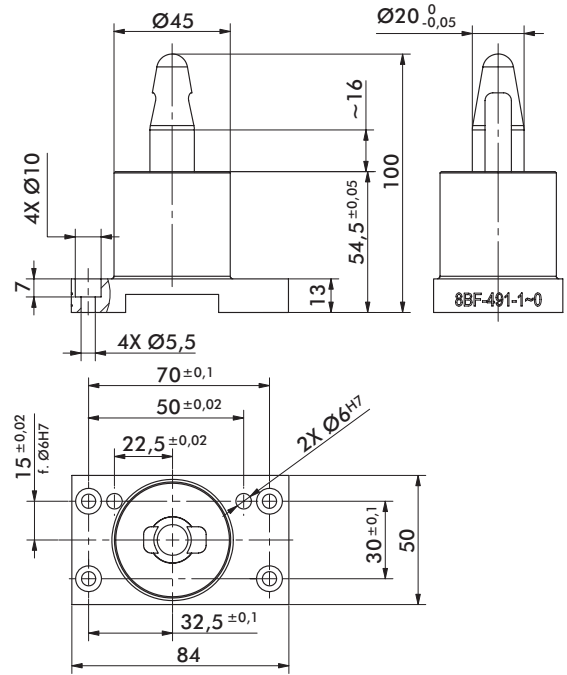


82P50 CENTERING PINS

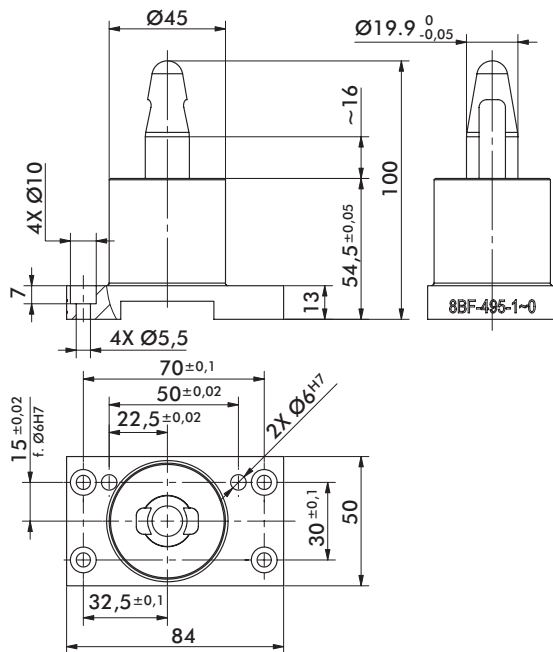
Pneumatic Pin Clamps and Packages | Dimensions and Technical Information



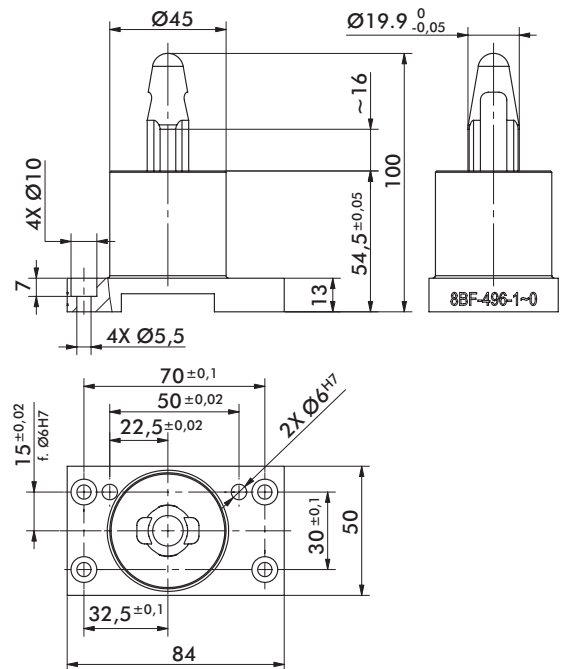
Specification	8BF-490-1
Weight	~0,60 Kg
Diameter and Tolerance	Ø18 -0.05
Shape	Round



Specification	8BF-491-1
Weight	~0,60 Kg
Diameter and Tolerance	Ø20 -0.05
Shape	Round



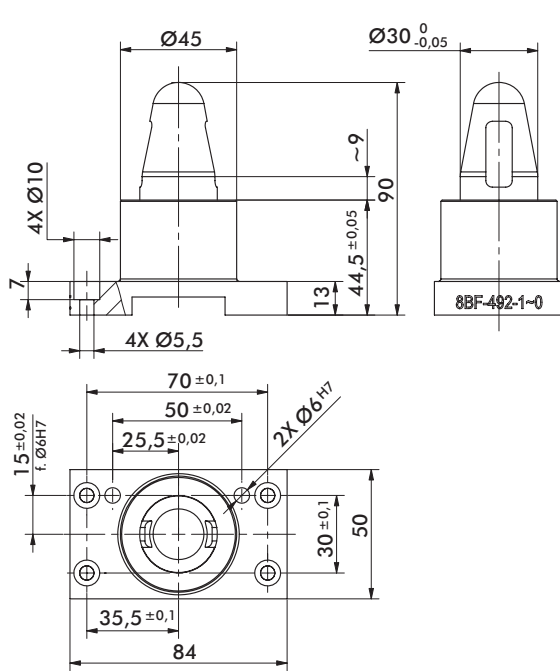
Specification	8BF-495-1
Weight	~0,60 Kg
Diameter and Tolerance	Ø19,90 -0.05
Shape	Round



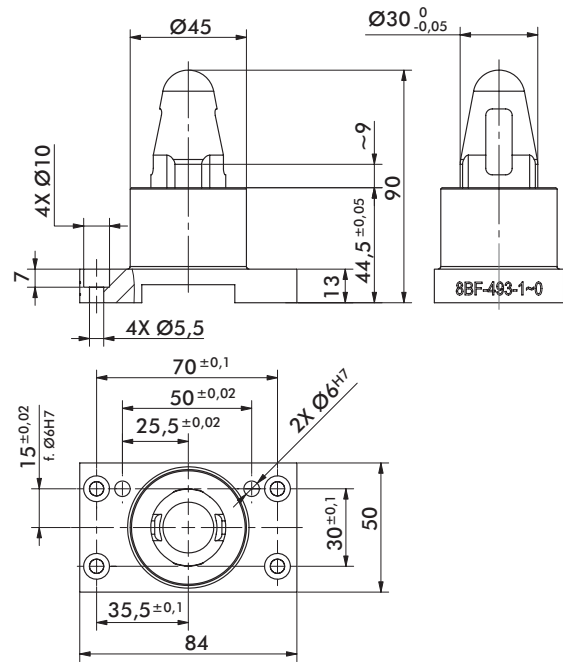
Specification	8BF-496-1
Weight	~0,60 Kg
Diameter and Tolerance	Ø19,90 -0.05
Shape	Diamond

82P63 CENTERING PINS

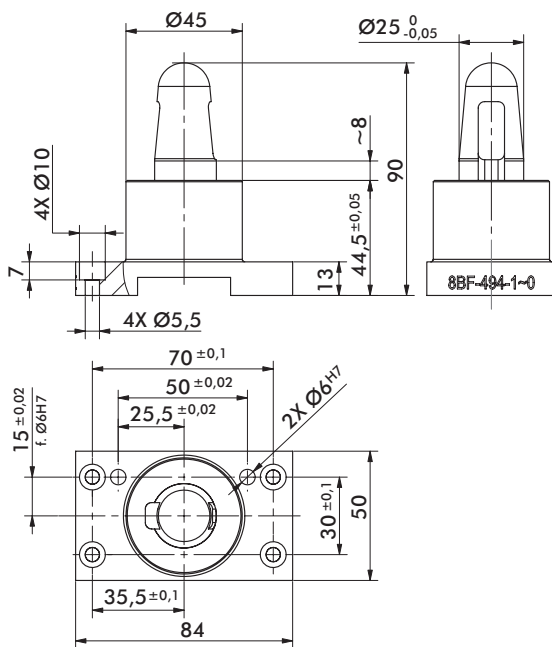
Pneumatic Pin Clamps and Packages | Dimensions and Technical Information



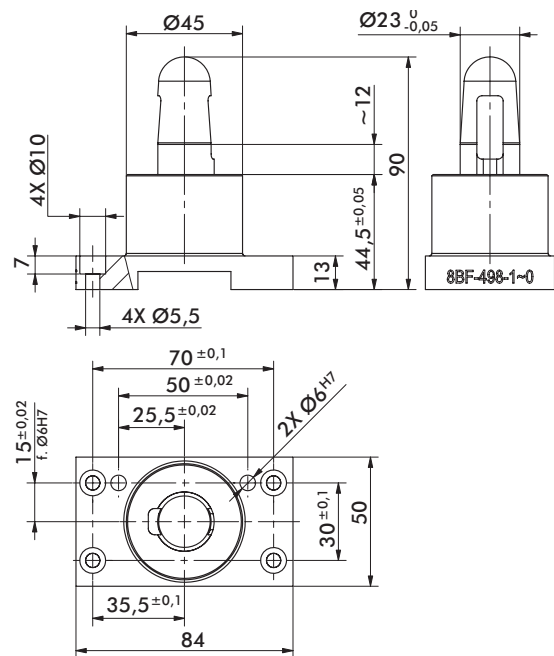
Specification	8BF-492-1
Weight	~0,57 Kg
Diameter and Tolerance	Ø30 -0.05
Shape	Round



Specification	8BF-493-1
Weight	~0,57 Kg
Diameter and Tolerance	Ø30 -0.05
Shape	Diamond



Specification	8BF-494-1
Weight	~0,54 Kg
Diameter and Tolerance	Ø25 -0.05
Shape	Round



Specification	8BF-498-1
Weight	~0,53 Kg
Diameter and Tolerance	Ø23 -0.05
Shape	Round