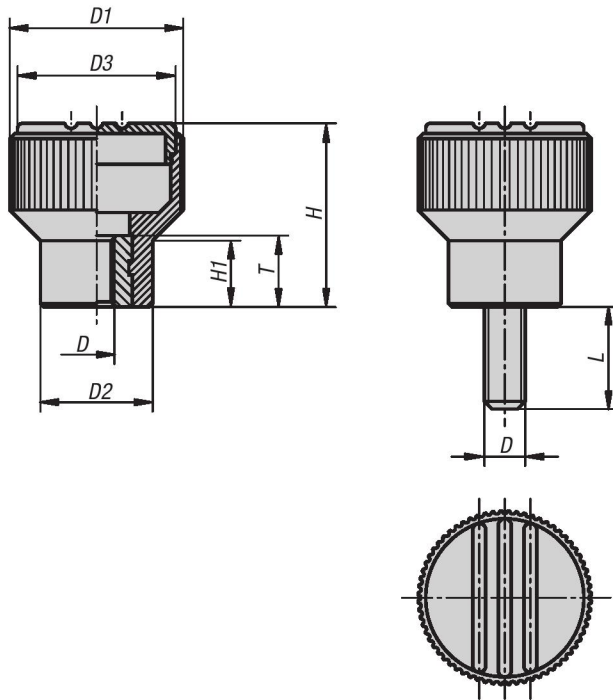


# Knurled Knobs

INCH  
Parts

METRIC  
Parts



The advanced engineering and design of Novo-Grip Knurled Knobs offer significant product advantages: High ergonomic functionality, firm, safe gripping and eye appealing design makes these Knurled Knobs ideal for any application.

**Material:**

Thermoplastic, black gray.  
Bushing and threaded pin steel 5.8  
or stainless steel 1.4305.

**Type:**

Steel blue chromate or  
stainless steel natural finish.

**Part Number Example:**

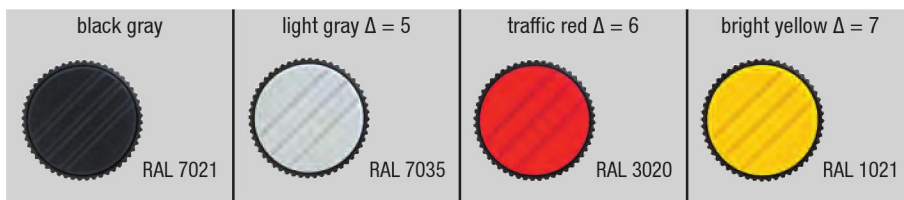
K0247.1A16X20  
(Cap color traffic red. Include length L)

**Note:**

Δ Add the desired cap color here. No color code is  
required for black gray caps.



# Knurled Knobs



## KIPP Knurled Knobs, internal thread, inch

Item No. bushing steel	Item No. bushing stainless steel	Size	D	D1	D2	D3	H	H1	T
K0247.1AEΔ	K0247.01AEΔ	1	8-32	21	14	19	22	8	10
K0247.1A1Δ	K0247.01A1Δ	1	10-32	21	14	19	22	8	10
K0247.1A2Δ	K0247.01A2Δ	1	1/4-20	21	14	19	22	8	10
K0247.2A3Δ	K0247.02A3Δ	2	5/16-18	26	18	23	26	9.5	14
K0247.3A3Δ	K0247.03A3Δ	3	5/16-18	34	22	31	36	13	14
K0247.3A4Δ	K0247.03A4Δ	3	3/8-16	34	22	31	36	13	14

## KIPP Knurled Knobs, external thread, inch

Item No. bolt steel	Item No. bolt stainless steel	Size	D	D1	D2	D3	H	H1	L
K0247.1A1ΔX	K0247.01A1ΔX	1	10-32	21	14	19	22	8	10/20
K0247.1A2ΔX	K0247.01A2ΔX	1	1/4-20	21	14	19	22	8	20/30
K0247.2A3ΔX	K0247.02A3ΔX	2	5/16-18	26	18	23	26	9.5	20/40
K0247.3A4ΔX	K0247.03A4ΔX	3	3/8-16	34	22	31	36	13	20/40

## KIPP Knurled Knobs, internal thread, metric

Item No. bushing steel	Item No. bushing stainless steel	Size	D	D1	D2	D3	H	H1	T
K0247.104Δ	K0247.0104Δ	1	M4	21	14	19	22	8	10
K0247.105Δ	K0247.0105Δ	1	M5	21	14	19	22	8	10
K0247.106Δ	K0247.0106Δ	1	M6	21	14	19	22	8	10
K0247.208Δ	K0247.0208Δ	2	M8	26	18	23	26	9,5	14
K0247.308Δ	K0247.0308Δ	3	M8	34	22	31	36	13	14
K0247.310Δ	K0247.0310Δ	3	M10	34	22	31	36	13	14

## KIPP Knurled Knobs, external thread, metric

Item No. bolt steel	Item No. bolt stainless steel	Size	D	D1	D2	D3	H	H1	L
K0247.105ΔX	K0247.0105ΔX	1	M5	21	14	19	22	8	10/12/15/20/25
K0247.106ΔX	K0247.0106ΔX	1	M6	21	14	19	22	8	15/20/25/30
K0247.208ΔX	K0247.0208ΔX	2	M8	26	18	23	26	9,5	20/25/30/40
K0247.310ΔX	K0247.0310ΔX	3	M10	34	22	31	36	13	20/30/40