



# Indexing Plungers

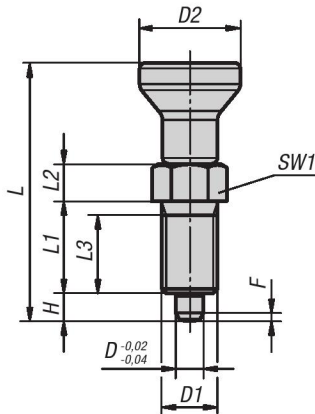
pull knob, stainless steel



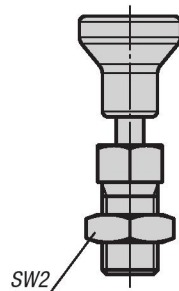
INCH  
Parts

METRIC  
Parts

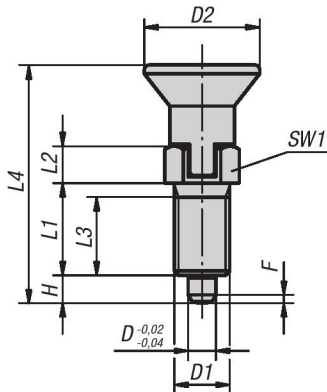
Style A  
non-lockout type  
without locknut



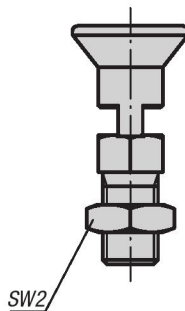
Style B  
non-lockout type  
with locknut



Style C  
lockout type  
without locknut



Style D  
lockout type  
with locknut



### Material:

- Locking pin hardened:  
threaded sleeve 1.4305locking pin 1.4034
- Locking pin not hardened:  
threaded sleeve 1.4305  
locking pin 1.4305

Mushroom knob 1.4305, electrolytic-polish

### Type:

Natural finish; locking pin ground

### Part Number Example:

K0632.001903AJ

### Note:

Indexing plungers are used to prevent any change in locking position due to lateral forces. A new locking position can only be set after the pin has been manually disengaged.

Style C or D is recommended for applications in which the pin is disengaged over extended periods and should be prevented from springing back.

### On request:

Special versions.

## KIPP Measurements, Indexing Plungers pull knob, stainless steel

D	D2	L1	L2	L3	H	SW1	Spring force initial pressure F1 approx. N	Spring force final pressure F2 approx. N
3	14	12	5	10	3.5	8	4.5	10
4	18	15	6	13	4	10	6	12
5	21	17	7	15	5	13	4.5	12
6	25	20	8	17	6	14	6	14
8	33	26	10	23	8	19	15	35
10	33	28	12	25	10	22	15	34
12	33	28	14	25	12	22	15	39
16	40	32	18	28	16	27	20	46



### KIPP Indexing Plungers, pull knob, stainless steel, locking pin hardened, inch

Item No. Style A	Item No. Style B	Item No. Style C	Item No. Style D	D1	L	L4	SW2	F x 30°
K0632.001903AJ	K0632.002903AJ	K0632.003903AJ	K0632.004903AJ	1/4-28	34.5/34.5/-/-	-/-/31.5/31.5	-17/16   -17/16	.8
K0632.001004AK	K0632.002004AK	K0632.003004AK	K0632.004004AK	5/16-24	43/43/-/-	-/-/38.5/38.5	-11/2   -11/2	1
K0632.001105AL	K0632.002105AL	K0632.003105AL	K0632.004105AL	3/8-24	50/50/-/-	-/-/43.5/43.5	-19/16   -19/16	1.3
K0632.001206A5	K0632.002206A5	K0632.003206A5	K0632.004206A5	1/2-13	59/59/-/-	-/-/52/52	-13/4   -13/4	1.8
K0632.001308A6	K0632.002308A6	K0632.003308A6	K0632.004308A6	5/8-11	77/77/-/-	-/-/68/68	-115/16   -115/16	2.3
K0632.001410A7	K0632.002410A7	K0632.003410A7	K0632.004410A7	3/4-10	83/83/-/-	-/-/74/74	-111/8   -111/8	2.6
K0632.001412A0	K0632.002412A0	K0632.003412A0	K0632.004412A0	3/4-16	87/87/-/-	-/-/78/78	-111/8   -111/8	2.8
K0632.001516A8	K0632.002516A8	K0632.003516A8	K0632.004516A8	1"-8	106/106/-/-	-/-/96/96	-111/2   -111/2	3.2

### KIPP Indexing Plungers, pull knob, stainless steel, locking pin not hardened, inch

Item No. Style A	Item No. Style B	Item No. Style C	Item No. Style D	D1	L	L4	SW2	F x 30°
K0632.111903AJ	K0632.112903AJ	K0632.113903AJ	K0632.114903AJ	1/4-28	34.5/34.5/-/-	-/-/31.5/31.5	-17/16   -17/16	.8
K0632.111004AK	K0632.112004AK	K0632.113004AK	K0632.114004AK	5/16-24	43/43/-/-	-/-/38.5/38.5	-11/2   -11/2	1
K0632.111105AL	K0632.112105AL	K0632.113105AL	K0632.114105AL	3/8-24	50/50/-/-	-/-/43.5/43.5	-19/16   -19/16	1.3
K0632.111206A5	K0632.112206A5	K0632.113206A5	K0632.114206A5	1/2-13	59/59/-/-	-/-/52/52	-13/4   -13/4	1.8
K0632.111308A6	K0632.112308A6	K0632.113308A6	K0632.114308A6	5/8-11	77/77/-/-	-/-/68/68	-115/16   -115/16	2.3
K0632.111410A7	K0632.112410A7	K0632.113410A7	K0632.114410A7	3/4-10	83/83/-/-	-/-/74/74	-111/8   -111/8	2.6
K0632.111412A0	K0632.112412A0	K0632.113412A0	K0632.114412A0	3/4-16	87/87/-/-	-/-/78/78	-111/8   -111/8	2.8
K0632.111516A8	K0632.112516A8	K0632.113516A8	K0632.114516A8	1"-8	106/106/-/-	-/-/96/96	-111/2   -111/2	3.2

### KIPP Indexing Plungers, pull knob, stainless steel, locking pin hardened, metric

Item No. Style A	Item No. Style B	Item No. Style C	Item No. Style D	D1	L	L4	SW2	F x 30°
K0632.001903	K0632.002903	K0632.003903	K0632.004903	M6x0,75	34,5/34,5/-/-	-/-/31,5/31,5	- / 10 / - / 10	0,8
K0632.001004	K0632.002004	K0632.003004	K0632.004004	M8x1	43/43/-/-	-/-/38,5/38,5	- / 13 / - / 13	1
K0632.001105	K0632.002105	K0632.003105	K0632.004105	M10x1	50/50/-/-	-/-/43,5/43,5	- / 17 / - / 17	1,3
K0632.001206	K0632.002206	K0632.003206	K0632.004206	M12x1,5	59/59/-/-	-/-/51,7/51,7	- / 19 / - / 19	1,8
K0632.001308	K0632.002308	K0632.003308	K0632.004308	M16x1,5	77/77/-/-	-/-/68/68	- / 24 / - / 24	2,3
K0632.001410	K0632.002410	K0632.003410	K0632.004410	M20x1,5	83/83/-/-	-/-/74/74	- / 30 / - / 30	2,8
K0632.001412	K0632.002412	K0632.003412	K0632.004412	M20x1,5	87/87/-/-	-/-/78/78	- / 30 / - / 30	2,8
K0632.001516	K0632.002516	K0632.003516	K0632.004516	M24x2	106/106/-/-	-/-/96/96	- / 36 / - / 36	3,2

### KIPP Indexing Plungers, pull knob, stainless steel, locking pin not hardened, metric

Item No. Style A	Item No. Style B	Item No. Style C	Item No. Style D	D1	L	L4	SW2	F x 30°
K0632.111903	K0632.112903	K0632.113903	K0632.114903	M6x0,75	34,5/34,5/-/-	-/-/31,5/31,5	- / 10 / - / 10	0,8
K0632.111004	K0632.112004	K0632.113004	K0632.114004	M8x1	43/43/-/-	-/-/38,5/38,5	- / 13 / - / 13	1
K0632.111105	K0632.112105	K0632.113105	K0632.114105	M10x1	50/50/-/-	-/-/43,5/43,5	- / 17 / - / 17	1,3
K0632.111206	K0632.112206	K0632.113206	K0632.114206	M12x1,5	59/59/-/-	-/-/51,7/51,7	- / 19 / - / 19	1,8
K0632.111308	K0632.112308	K0632.113308	K0632.114308	M16x1,5	77/77/-/-	-/-/68/68	- / 24 / - / 24	2,3
K0632.111410	K0632.112410	K0632.113410	K0632.114410	M20x1,5	83/83/-/-	-/-/74/74	- / 30 / - / 30	2,8
K0632.111412	K0632.112412	K0632.113412	K0632.114412	M20x1,5	87/87/-/-	-/-/78/78	- / 30 / - / 30	2,8
K0632.111516	K0632.112516	K0632.113516	K0632.114516	M24x2	106/106/-/-	-/-/96/96	- / 36 / - / 36	3,2