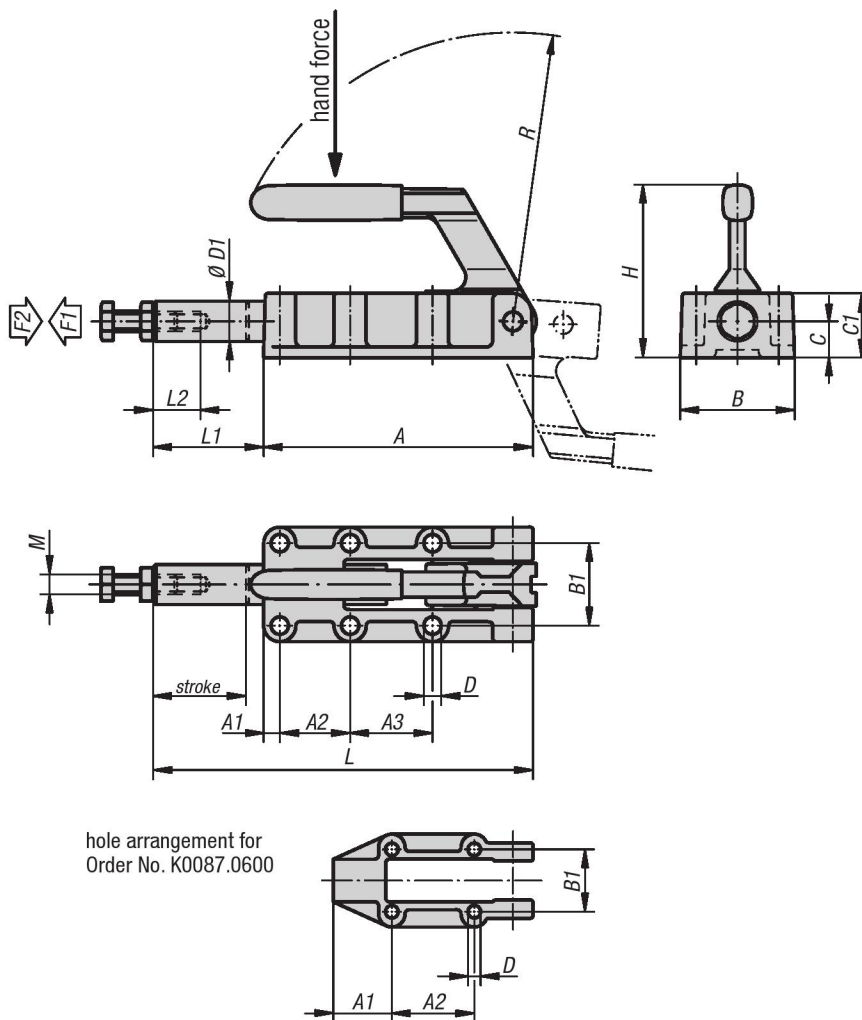
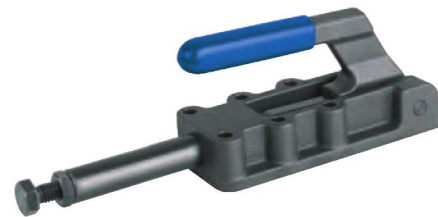


Push-Pull Clamps

heavy-duty version with handle

METRIC Parts **New Item**



Material:

Steel, body in spheroidal graphite cast iron (GJS)

Type:

Phosphated.
Plastic handle oil-resistant

Part Number Example:

K0087.2500

Note:

The clamps lock in the open and closed handle positions. They can be used for thrust or tension clamping. The clamps have a stroke limitation for advance and retraction.

Accessories:

- K0101
- K0102
- K0103
- K0106

KIPP Push-Pull Clamps heavy-duty version with handle, metric

Item No.	Opening angle of handle	Hand force N	Holding force F2 N	Clamping force F1 N
K0087.0600	185°	140	6000	3000
K0087.1200	185°	150	12000	5000
K0087.2500	185°	170	25000	5000
K0087.5000	185°	200	50000	7000

Item No.	A	A1	A2	A3	B	B1	C	C1	D	D1	H	L	L1	L2	M	R	Stroke
K0087.0600	89	25	36,5	-	46	33,4	12	23	5,5	14	63	127	38	30	M8	95	32
K0087.1200	133	8	35	41	61	41	18	32	8,5	20	88	188	55	40	M10	143	50
K0087.2500	197	11	45	45	82	54	22	41	10,3	25	108	300	103	60	M12	200	75
K0087.5000	254	10	70	70	85	57	28	50	10,3	30	127	390	136	60	M16	245	100