



Wing Grips

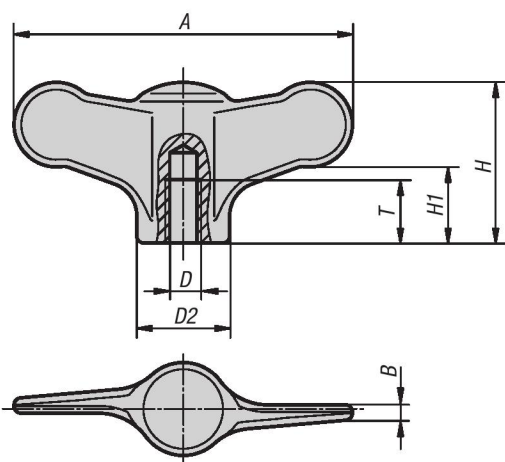
stainless steel



INCH
Parts

METRIC
Parts

Expanded Line

**Material:**

Stainless steel 1.4308

Type:

Blasted or ground and polished.

Part Number Example:

K0273.9AE

On request:

Wing Grips with external threads.



Wing Grips

stainless steel

KIPP Wing Grips, stainless steel, internal thread, inch

Item No.	Version	D	D2	A	B	H	H1	T
K0273.9AE	ground and polished	8-32	10.5	38	1.7	18	8.5	9
K0273.9A1	ground and polished	10-32	10.5	38	1.7	18	8.5	9
K0273.9A2	ground and polished	1/4-20	10.5	38	1.7	18	8.5	9
K0273.1A0	ground and polished	10-24	14	50	2.3	24	11.5	10
K0273.1A1	ground and polished	10-32	14	50	2.3	24	11.5	12
K0273.1A2	ground and polished	1/4-20	14	50	2.3	24	11.5	10
K0273.2A3	ground and polished	5/16-18	21	75	3.4	35	16.5	14
K0273.2A4	ground and polished	3/8-16	21	75	3.4	35	16.5	14
K0273.9AE1	blasted	8-32	10.5	38	1.7	18	8.5	9
K0273.9A11	blasted	10-32	10.5	38	1.7	18	8.5	9
K0273.9A21	blasted	1/4-20	10.5	38	1.7	18	8.5	9
K0273.1A01	blasted	10-24	14	50	2.3	24	11.5	12
K0273.1A11	blasted	10-32	14	50	2.3	24	11.5	12
K0273.1A21	blasted	1/4-20	14	50	2.3	24	11.5	12
K0273.2A31	blasted	5/16-18	21	75	3.4	35	16.5	15
K0273.2A41	blasted	3/8-16	21	75	3.4	35	16.5	15

KIPP Wing Grips, stainless steel, internal thread, metric

Item No.	Version	D	D2	A	B	H	H1	T
K0273.904	ground and polished	M4	10,5	38	1,7	18	8,5	9
K0273.905	ground and polished	M5	10,5	38	1,7	18	8,5	9
K0273.906	ground and polished	M6	10,5	38	1,7	18	8,5	9
K0273.105	ground and polished	M5	14	50	2,3	24	11,5	12
K0273.106	ground and polished	M6	14	50	2,3	24	11,5	12
K0273.208	ground and polished	M8	21	75	3,4	35	16,5	15
K0273.210	ground and polished	M10	21	75	3,4	35	16,5	15
K0273.9041	blasted	M4	10,5	38	1,7	18	8,5	9
K0273.9051	blasted	M5	10,5	38	1,7	18	8,5	9
K0273.9061	blasted	M6	10,5	38	1,7	18	8,5	9
K0273.1051	blasted	M5	14	50	2,3	24	11,5	12
K0273.1061	blasted	M6	14	50	2,3	24	11,5	12
K0273.2081	blasted	M8	21	75	3,4	35	16,5	15
K0273.2101	blasted	M10	21	75	3,4	35	16,5	15