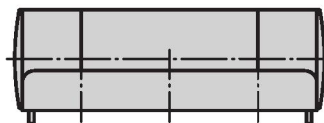
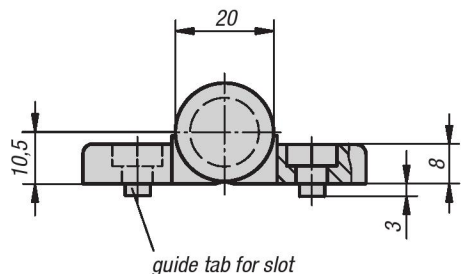


# Hinges

plastic, detent

METRIC  
Parts

New Item



**Material:**

Hinge and caps fibreglass reinforced PA thermoplastic.

Hinge pin stainless steel.

**Type:**

Hinge and caps black.

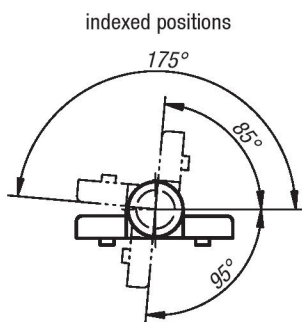
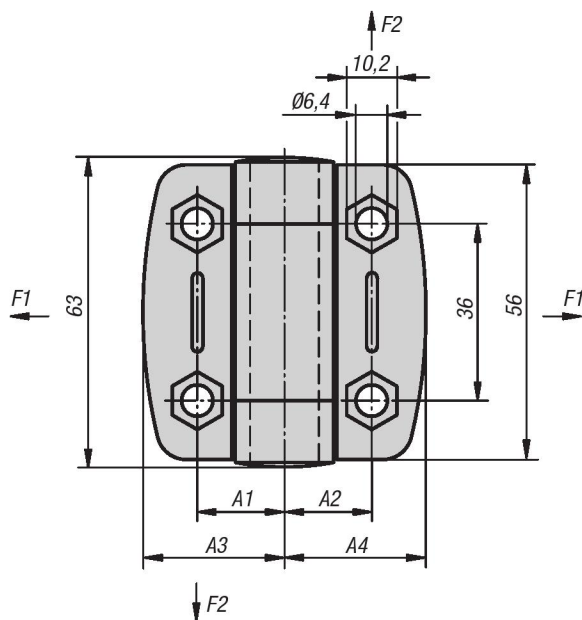
Pin natural finish.

**Part Number Example:**

K0439.56181800

**Note:**

These hinges have a detent mechanism. This mechanism holds a door or lid open at three different angles or tightly closed. The hinges are available with or without guide tabs for aluminum profile slots.



**KIPP Hinges plastic, detent, metric**

Item No.	A1	A2	A3	A4	Guide tabs for slot	F1 max. kN	F2 max. kN
K0439.56181800	17,75	17,75	27	27	-	0,4	0,35
K0439.56181806	17,75	17,75	27	27	6	0,4	0,35
K0439.56181808	17,75	17,75	27	27	8	0,4	0,35
K0439.56232300	22,75	22,75	36,75	36,75	-	0,6	0,425
K0439.56232308	22,75	22,75	36,75	36,75	8	0,6	0,425
K0439.56232310	22,75	22,75	36,75	36,75	10	0,6	0,425