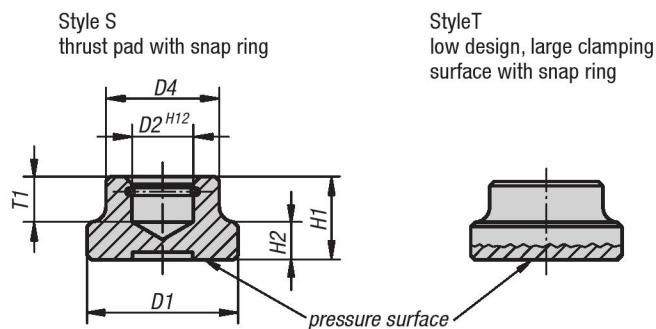


Thrust Pads

DIN 6311 extended

METRIC
Parts



Material:

Steel case-hardened, snap ring in spring steel

Type:

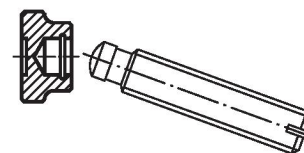
Black oxide finish.

Part Number Example:

K0392.12

Note:

When fitting the Thrust Pad, ensure that it is inclined as far as possible in the direction of the snap ring opening. The snap ring is supplied assembled.



KIPP Thrust Pads DIN 6311 extended, metric

Item No.	Style	D1	D2	D4	H1	H2	T1	For grub screws with trust point DIN 6332
K0392.06	S	12	4,6	10	7	2,5	4	M6
K0392.08	S	16	6,1	12	9	4	5	M8
K0392.10	S	20	8,1	15	11	5	6	M10
K0392.12	S	25	8,1	18	13	7	7	M12
K0392.16	S	32	12,1	22	15	7	7,5	M16
K0392.20	S	40	15,6	28	16	9	8	M20
K0392.108	T	25	6,1	12	8	4	4,5	M8
K0392.110	T	32	8,1	18	10	6	6	M10 / M12
K0392.116	T	40	12,1	22	12	7	7	M16