

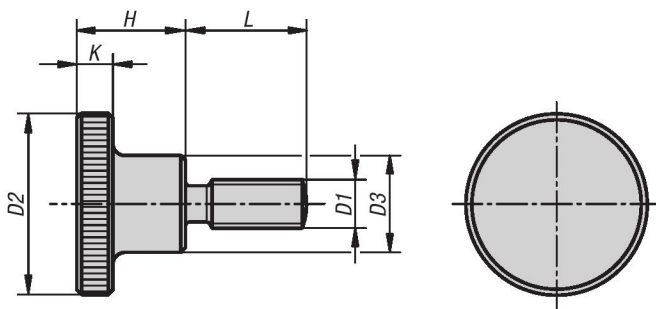


# Knurled Thumb Screws

in steel or stainless steel, DIN 464

INCH  
Parts

METRIC  
Parts



**Material:**

Free-cutting steel 1.0718.  
Stainless steel 1.4305.

**Type:**

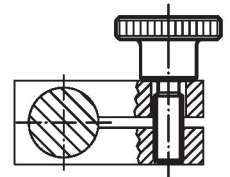
Free-cutting steel black oxide finish.  
Stainless steel natural finish.

**Part Number Example:**

K0140.AE2X10  
(include length L)

**Note:**

\* The knurled thumb screw is supplied with shaft in this length (no thread undercut)



## KIPP Knurled Thumb Screws, in stainless steel, DIN 464, inch

Item No. stainless steel	D1	D2	D3	L	H	K
K0140.AE2X	8-32	16	8	10/16/20*	9.5	3.5
K0140.A02X	10-24	20	10	10/16/20*	11.5	4
K0140.A22X	1/4-20	24	12	10/16/20/25*	15	5
K0140.A32X	5/16-18	30	16	16/20/25	18	6
K0140.A42X	3/8-16	36	20	20/25	23	8

## KIPP Knurled Thumb Screws, in steel or stainless steel, DIN 464, metric

Item No. steel	Item No. stainless steel	D1	D2	D3	L	H	K
K0140.04X	K0140.042X	M4	16	8	10/16/20*	9,5	3,5
K0140.05X	K0140.052X	M5	20	10	10/16/20*	11,5	4
K0140.06X	K0140.062X	M6	24	12	10/16/20/25*	15	5
K0140.08X	K0140.082X	M8	30	16	16/20/25/30*	18	6
K0140.10X	K0140.102X	M10	36	20	20/25/30/40*	23	8