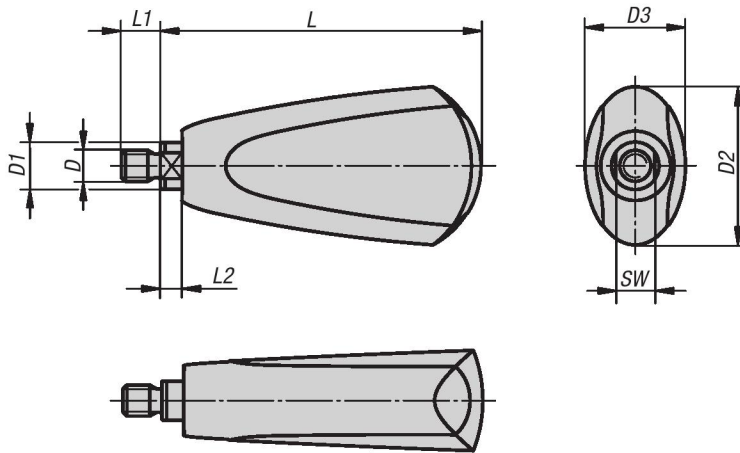




Machine and Handwheel Handles

Revolving Taper Grips

INCH Parts
METRIC Parts



Material:

Black duroplastic PF 31; axle steel, nickel-plated or stainless steel 1.4305, natural finish; snap ring in stainless steel 1.4310

Type:

High-polish finish.

Part Number Example:

K0651.1A2009

Note:

The grips are suitable for Disc Handwheels with revolving taper grip K0164.

KIPP Machine and Handwheel Handles, Revolving Taper Grips, inch

Item No. axle steel	Item No. axle stainless steel	Size	D	D1	D2	D3	L	L1	L2	SW
K0651.1A2009	K0651.11A2009	1	1/4-20	8	25	18	54.7	9	4.5	7
K0651.2A3010	K0651.12A3010	2	5/16-18	12	41	26	82.2	10	5.5	10

KIPP Machine and Handwheel Handles, Revolving Taper Grips, metric

Item No. axle steel	Item No. axle stainless steel	Size	D	D1	D2	D3	L	L1	L2	SW
K0651.106009	K0651.1106009	1	M6	8	25	18	54,7	9	4,5	7
K0651.208010	K0651.1208010	2	M8	12	41	26	82,2	10	5,5	10