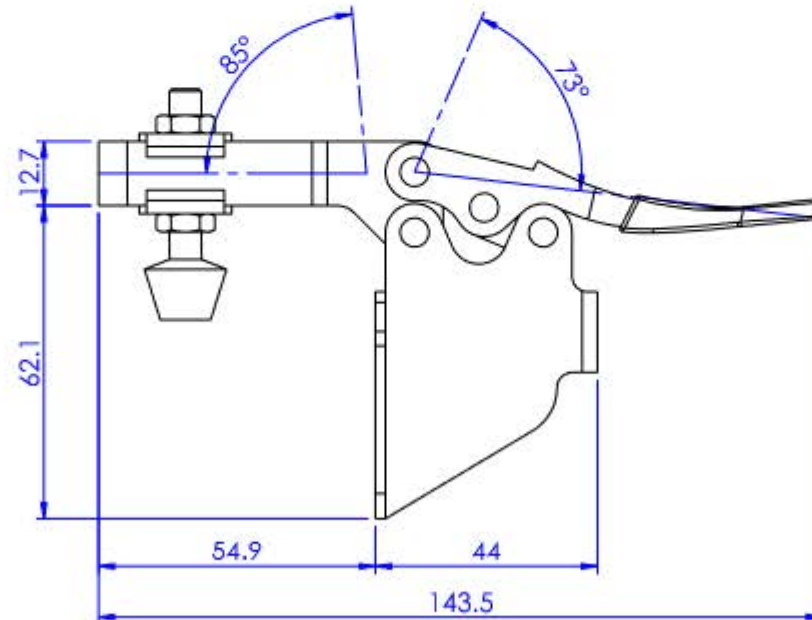
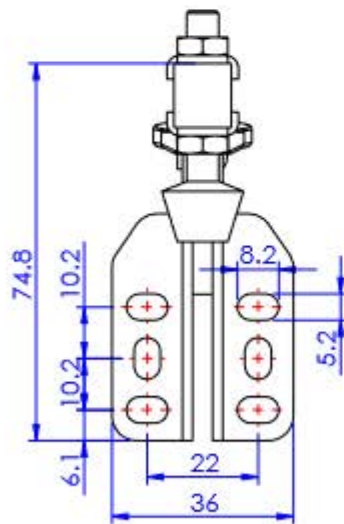
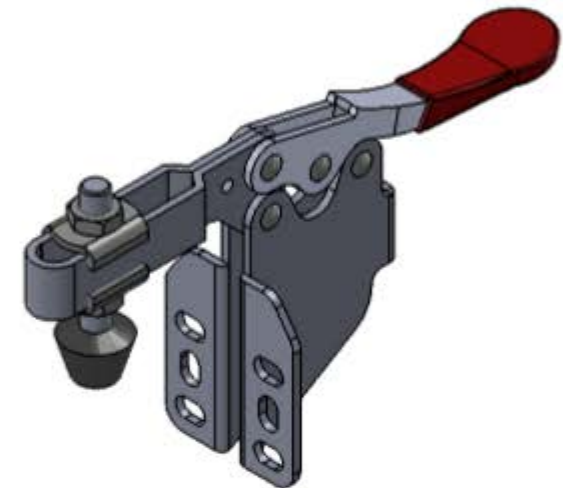
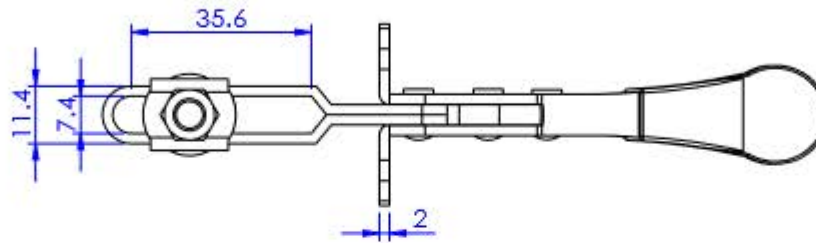


Part No:	GH-201-BSM
Holding Capacity:	90Kg
Bar Opens:	85°
Handle Opens:	73°
Weight:	0.161Kg
Spindle Supplied:	FC-064410
Flanged Washers:	FW-140



Unit:mm

Scale: 1:1.5

Good Hand UK Ltd

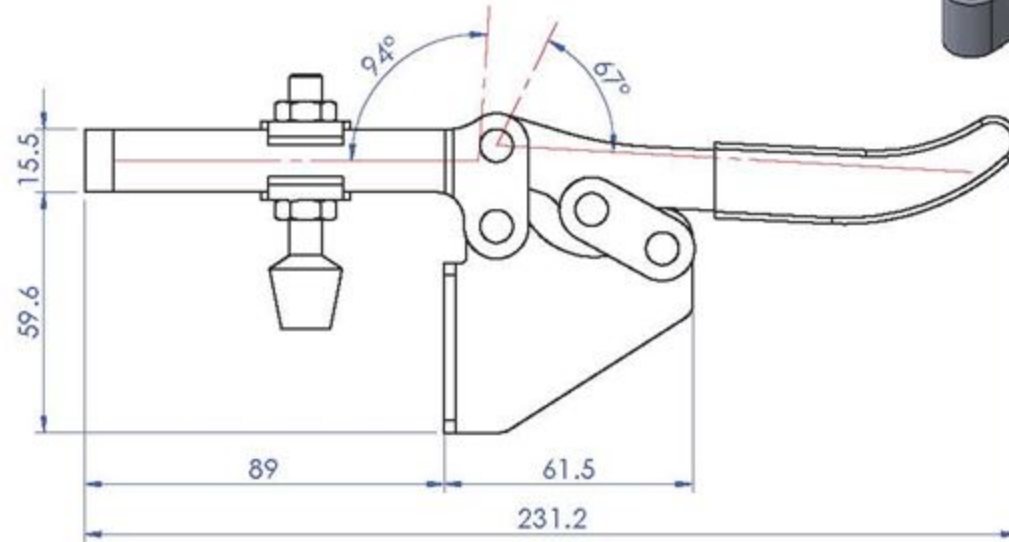
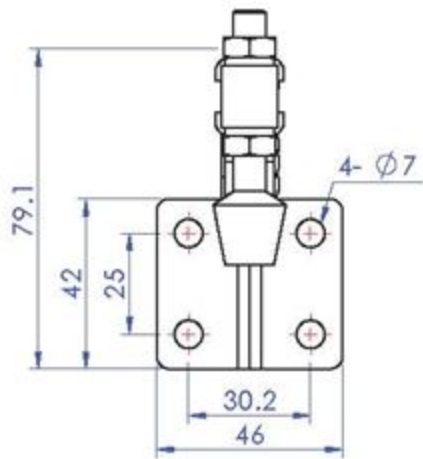
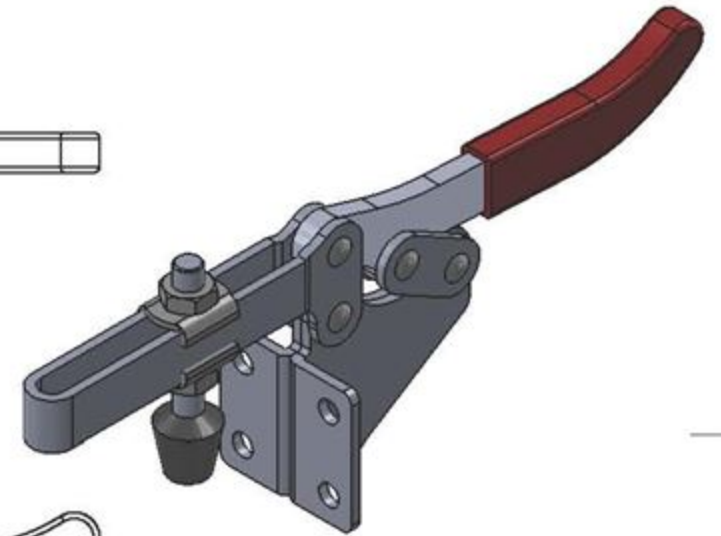
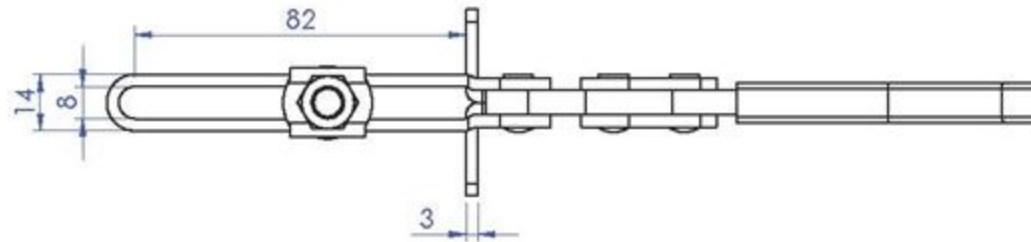
TITLE:

DWG NO.

GH-201-BSM

A4

Part No:	GH-202-FL
Holding Capacity:	227Kg
Bar Opens:	86°
Handle Opens:	60°
Weight:	0.41Kg
Spindle Supplied:	FC-56212
Flanged Washers:	FW-516



Unit:mm
Scale : 1:2

Good Hand UK Ltd

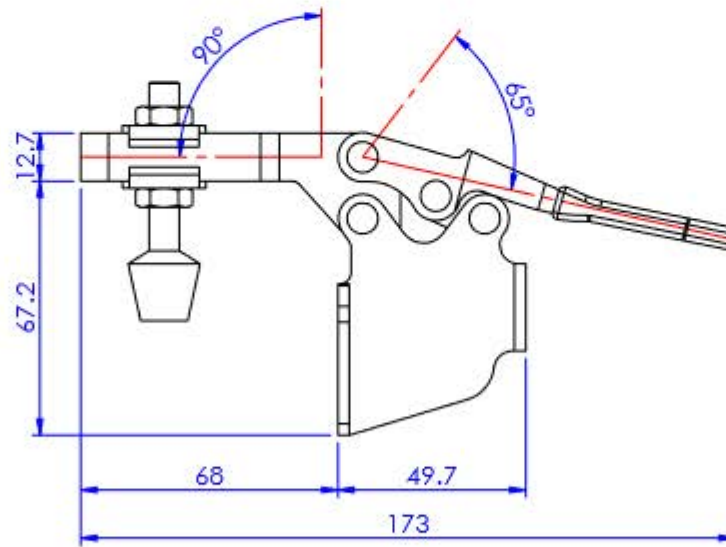
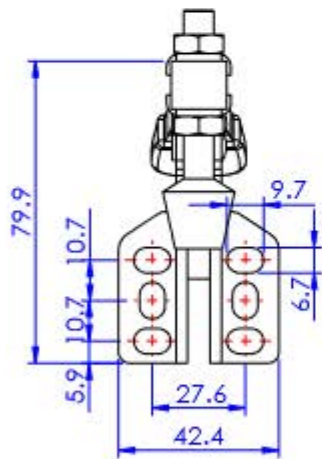
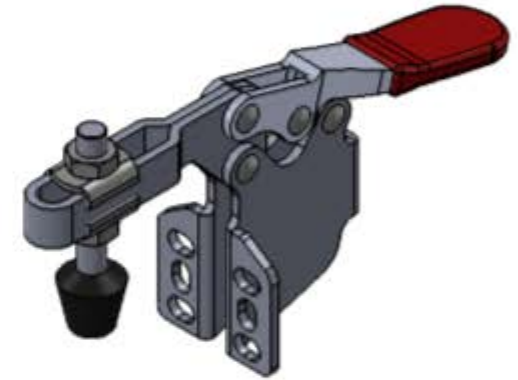
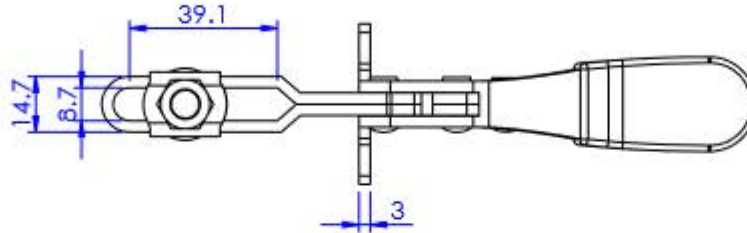
TITLE:

DWG NO.

GH-202-FL

A4

Part No:	GH-225-DSM
Holding Capacity:	227Kg
Bar Opens:	90°
Handle Opens:	65°
Weight:	0.32Kg
Spindle Supplied:	FC-086312
Flanged Washers:	FW-516



Unit:mm
Scale: 1:2

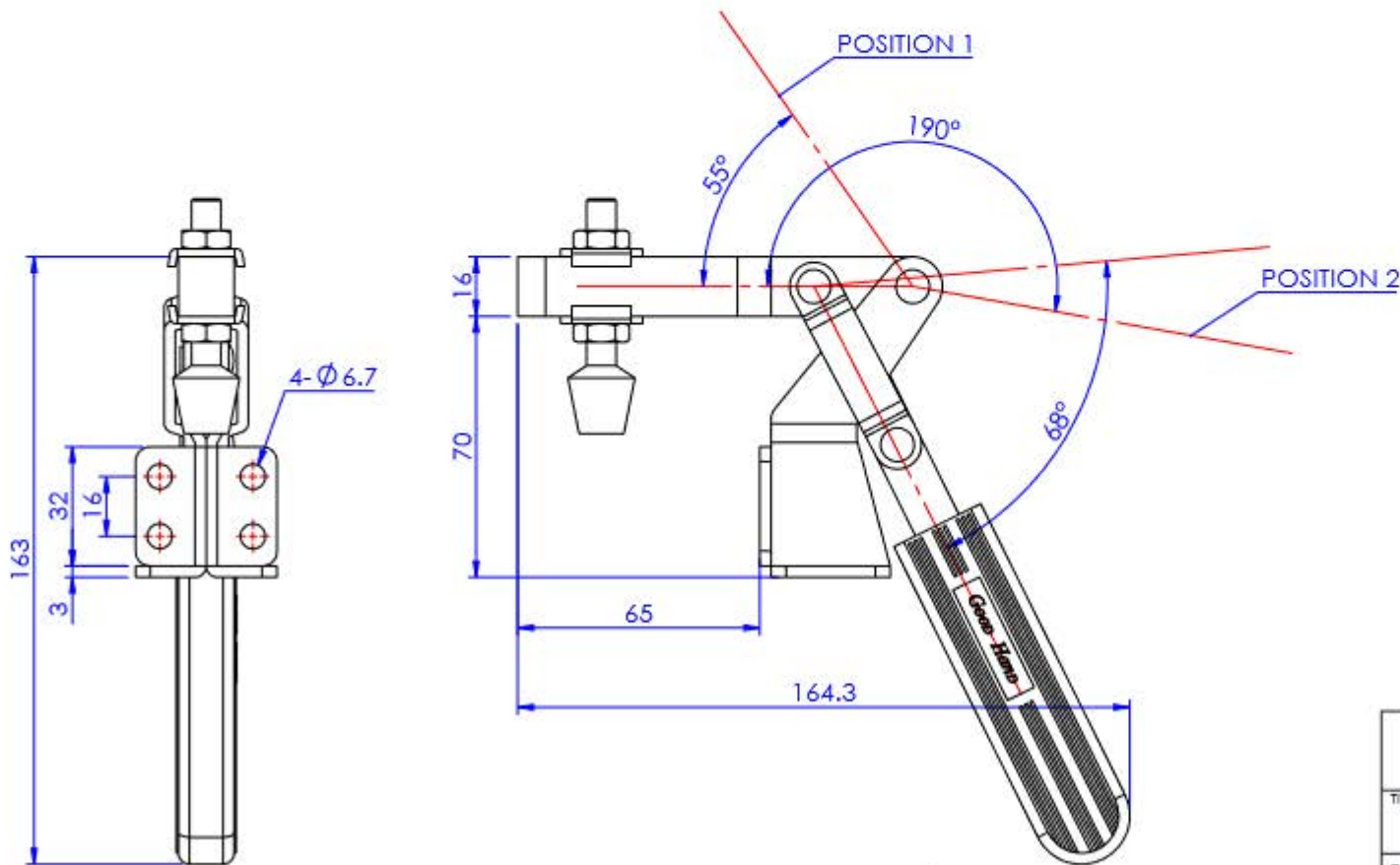
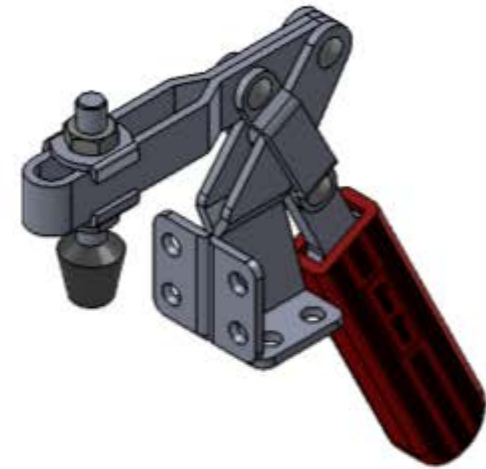
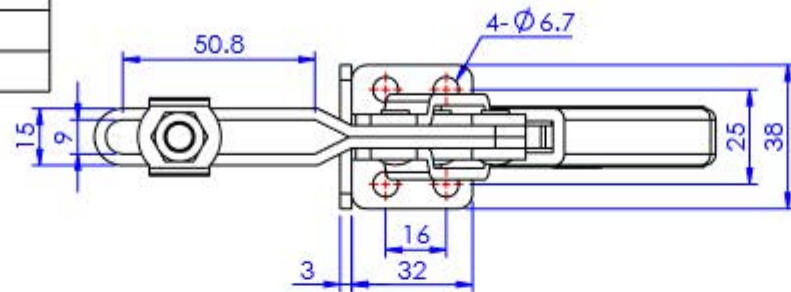
Good Hand UK Ltd

TITLE:

DWG NO. GH-225-DSM

A4

Part No:	GH-20820
Holding Capacity:	100Kg
Bar Opens:	190°
Handle Opens:	68°
Weight:	0.421Kg
Spindle Supplied:	FC-086312
Flanged Washers:	FW-516



Unit:mm

Scale: 1:2

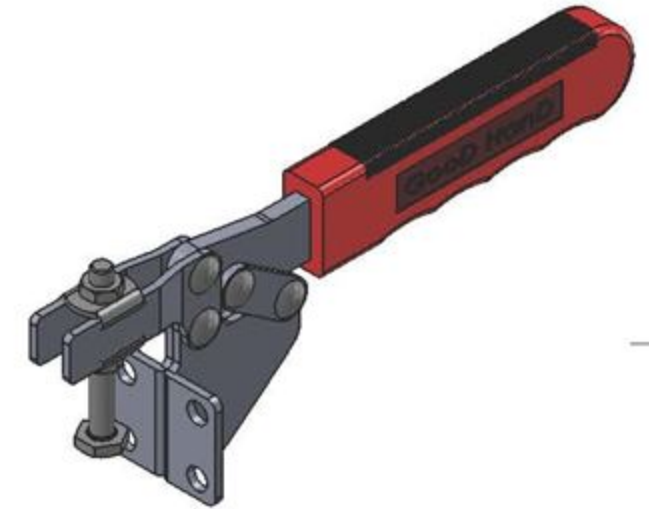
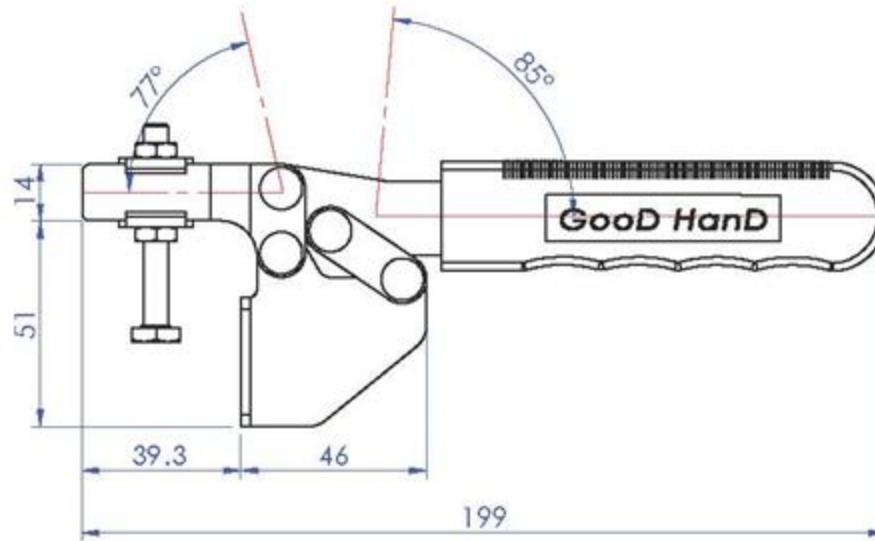
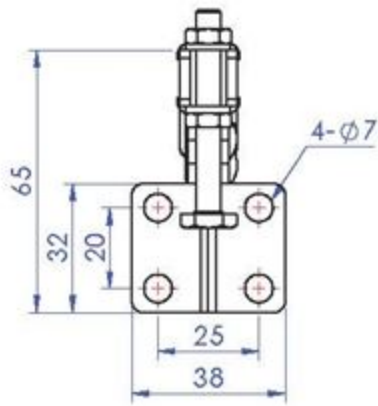
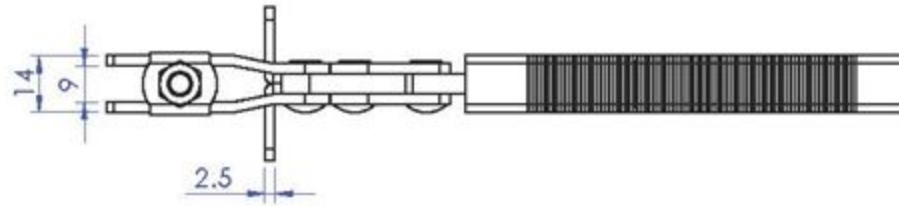
Good Hand UK Ltd

TITLE:

DWG NO. GH-20820

A4

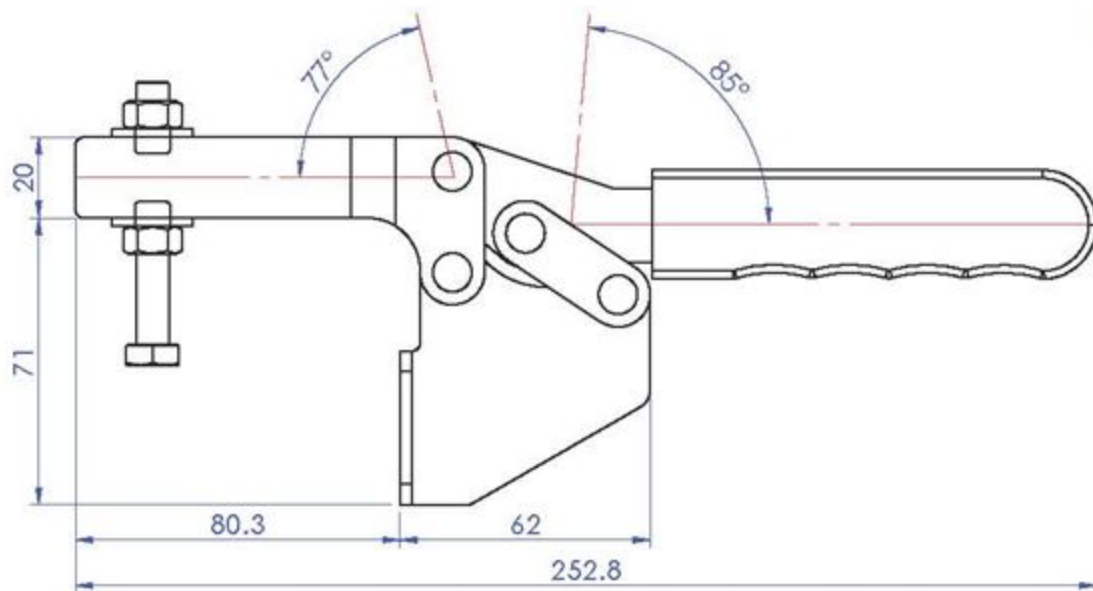
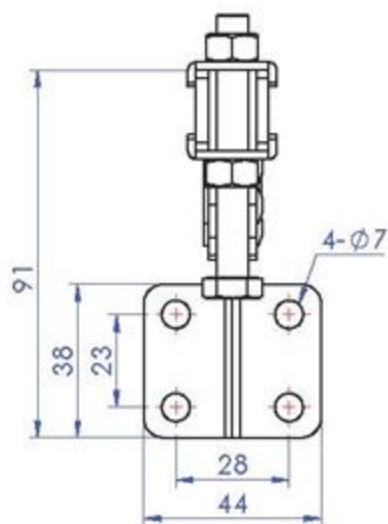
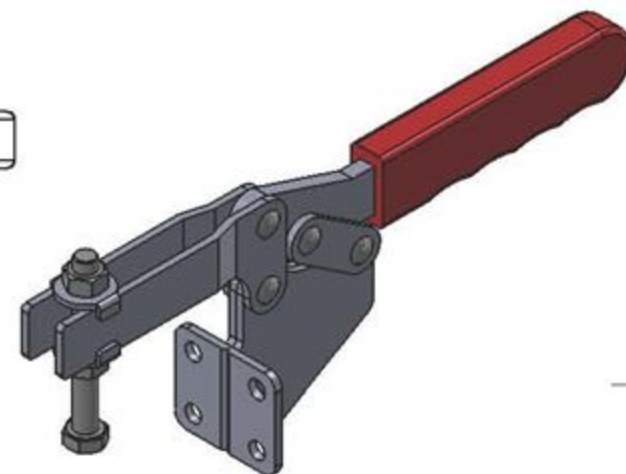
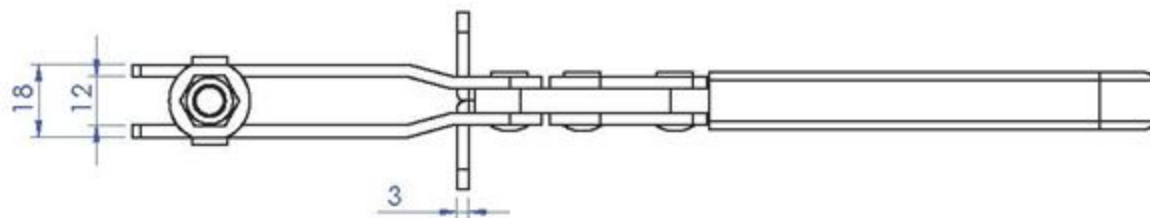
Part No:	GH-21383
Holding Capacity:	250Kg
Bar Opens:	77°
Handle Opens:	85°
Weight:	0.26Kg
Spindle Supplied:	SA-065010
Flanged Washers:	FW-516



Unit:mm
Scale : 1:2

Good Hand UK Ltd	
TITLE:	
DWG NO.	GH-21383
	A4

Part No:	GH-25383
Holding Capacity:	280Kg
Bar Opens:	79°
Handle Opens:	87°
Weight:	0.497Kg
Spindle Supplied:	SA-086512
Flanged Washers:	FW-380



Unit:mm
Scale : 1:2

Good Hand UK Ltd

TITLE:

DWG NO. GH-25383

A4