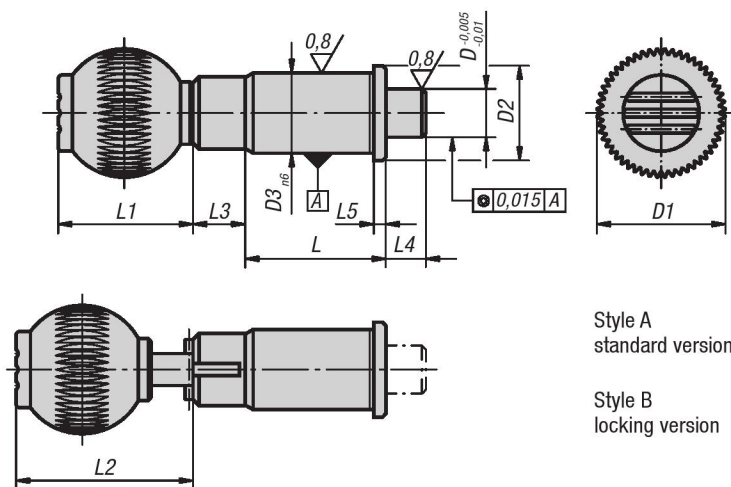




# Precision Indexing Plungers

with cylindrical pins

METRIC  
Parts



Style A  
standard version

Style B  
locking version

**Material:**

Steel, grip ball thermoplastic

**Type:**

Hardened and ground, grip ball black gray

**Part Number Example:**

K0361.010

**Note:**

The Indexing Plungers with bushings are a perfect combination for rapid positioning and fixing. The precise design of both the Indexing Plungers and the bush guarantees high repeating accuracy when assembling two elements.

Technical Information see assembly and installation instructions.

## KIPP Precision Indexing Plungers with cylindrical pins, metric

Item No. Style A	Item No. Style B	D	D1	D2	D3	L	L1	L2	L3	L4 min.	L5	Spring force initial pressure F1 approx. N	Spring force final pressure F2 approx. N	Internal thread Grip Ball
K0361.010	K0361.110	10	25	19	16	31	25	-/36,5	13	10	2,5	15	30	M6
K0361.012	K0361.112	12	32	23	20	35	33	-/44,5	13	10	3	15	35	M8
K0361.016	K0361.116	16	40	28	25	42	41,5	-/53	13	10	3	20	50	M10
K0361.020	K0361.120	20	40	33	30	50	41,5	-/53	13	10	3	36	63	M10
K0361.025	K0361.125	25	50	42	38	60	51	-/62,5	13	10	3	20	73	M10