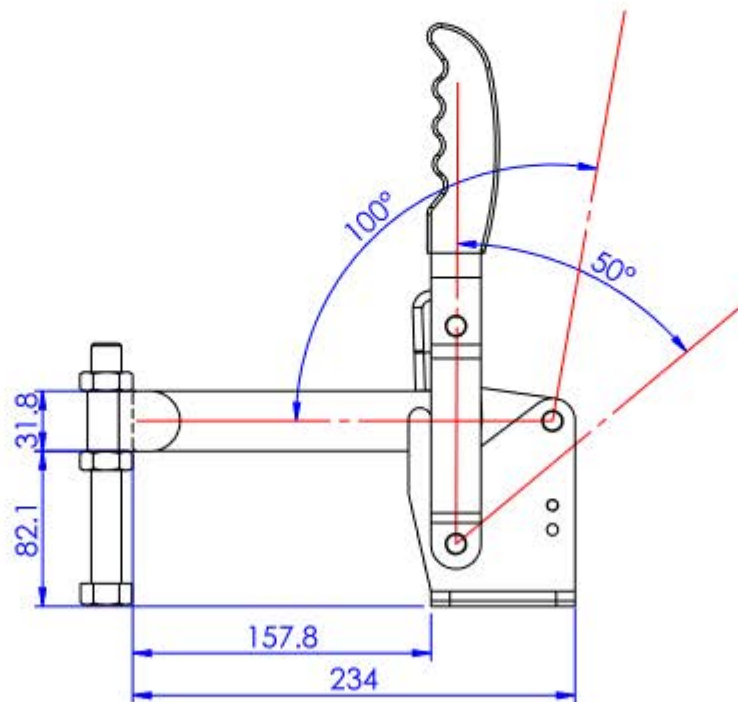
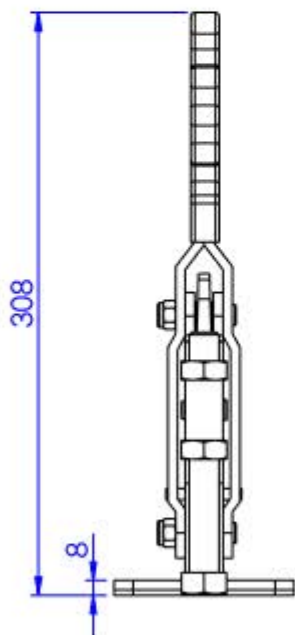
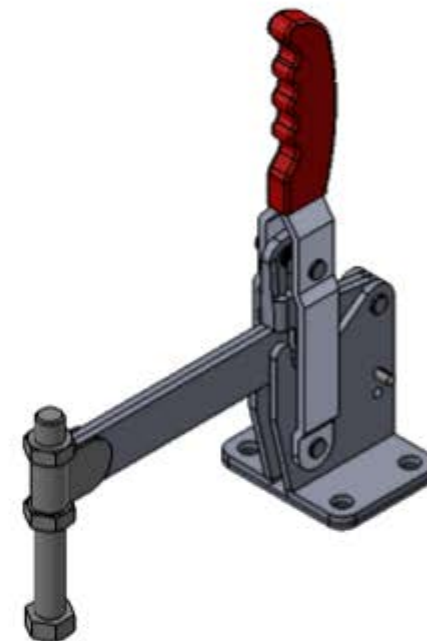
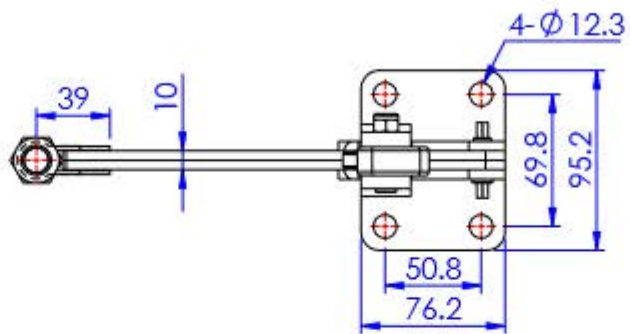


Part No:	GH-101-JS
Holding Capacity:	550Kg
Bar Opens:	100° /140°
Handle Opens:	50° /60°
Weight:	2.637Kg
Spindle Supplied:	SA-161520
Bolt Retainer:	BR-580



Unit:mm
Scale: 1:4

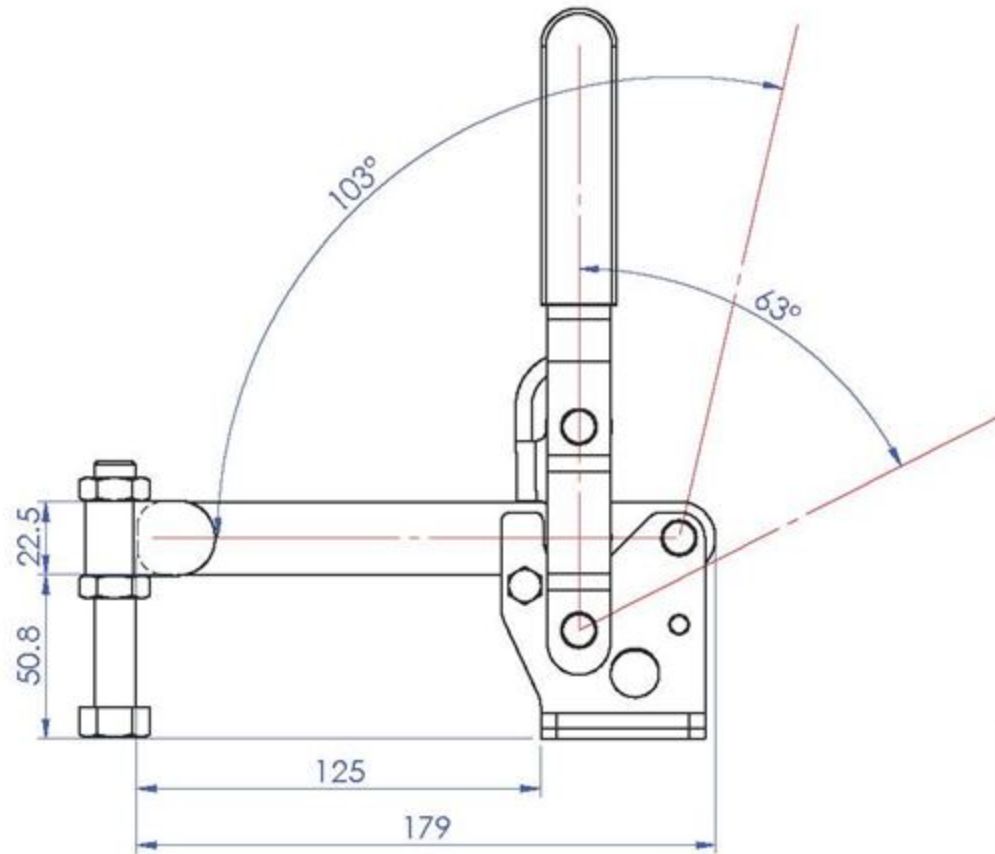
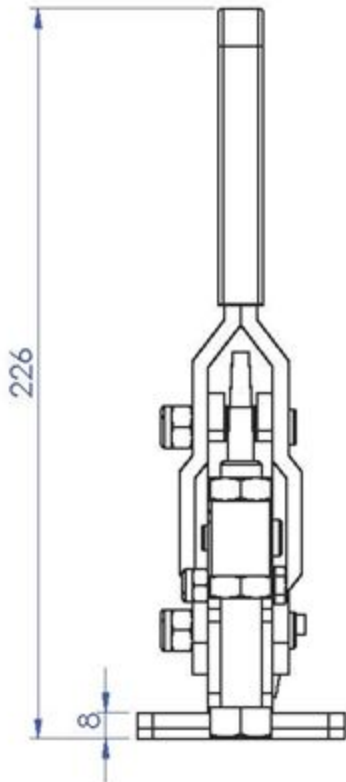
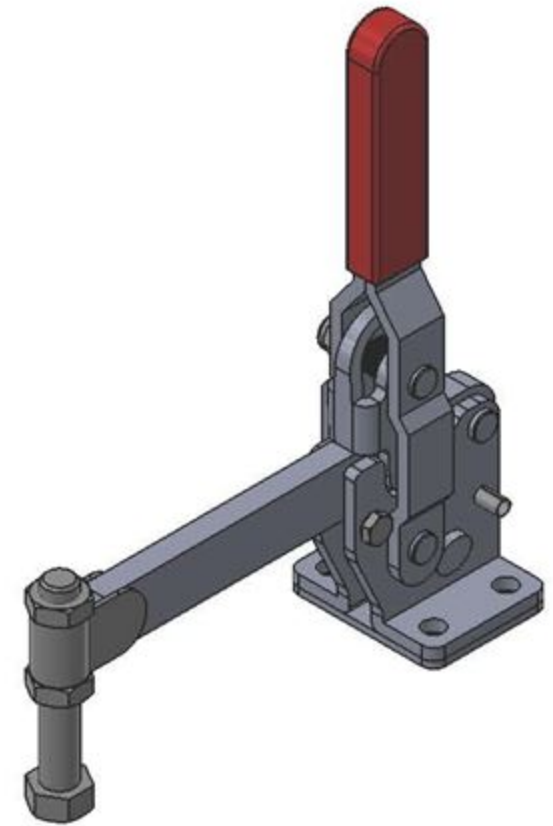
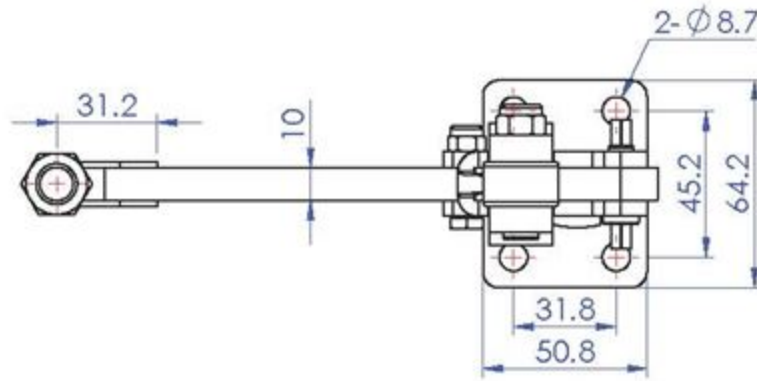
Good Hand UK Ltd

TITLE:

DWG NO. GH-101-JS

A4

Part No:	GH-10249
Holding Capacity:	450Kg
Bar Opens:	103° / 135°
Handle Opens:	63° / 73°
Weight:	1.288Kg
Spindle Supplied:	SA-12300
Bolt Retainer:	BR-120



Unit:mm
Scale: 1:2.5

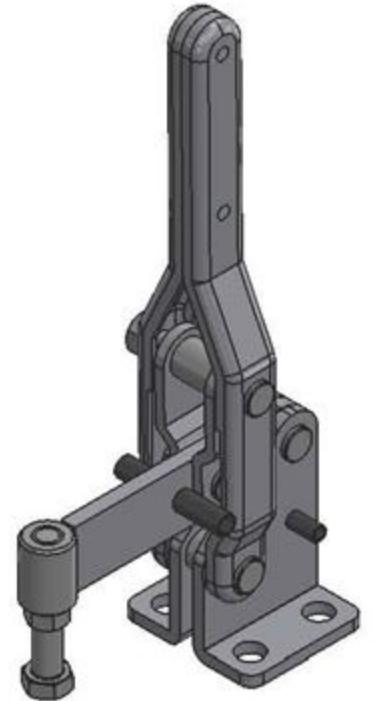
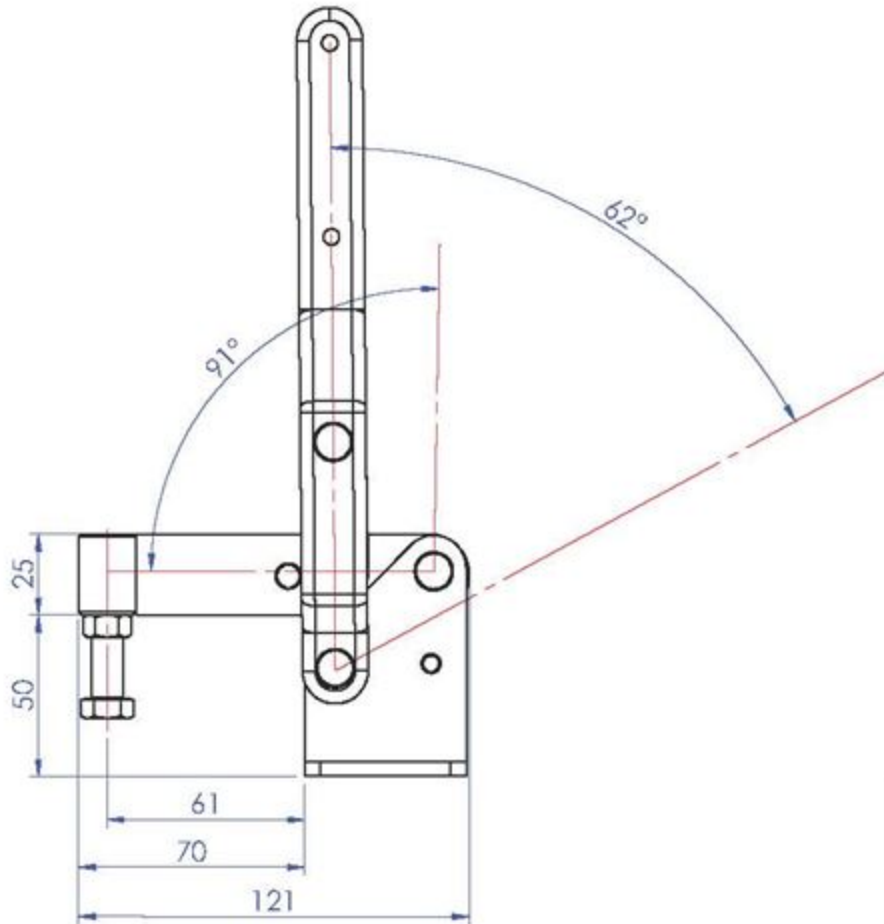
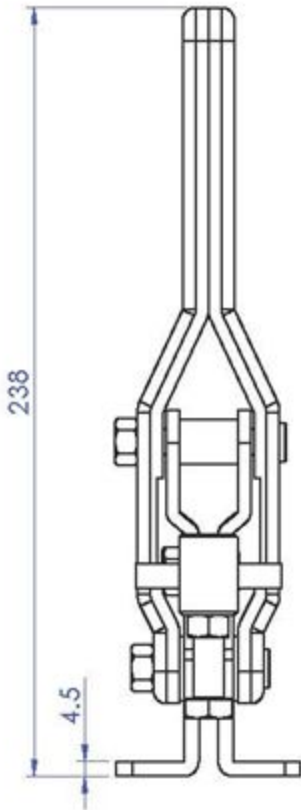
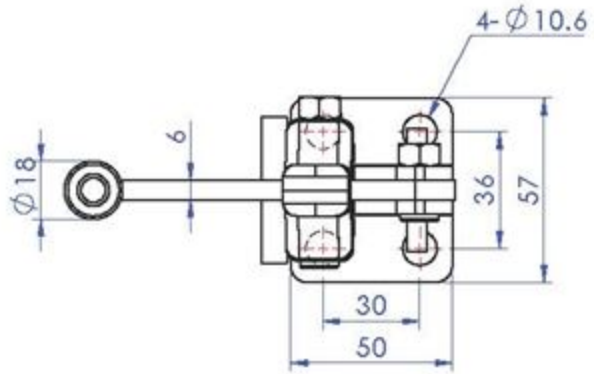
Good Hand UK Ltd

TITLE:

DWG NO. GH-10249

A4

Part No:	GH-10444
Holding Capacity:	400Kg
Bar Opens:	91°
Handle Opens:	62°
Weight:	0.87Kg
Spindle Supplied:	SA-38200



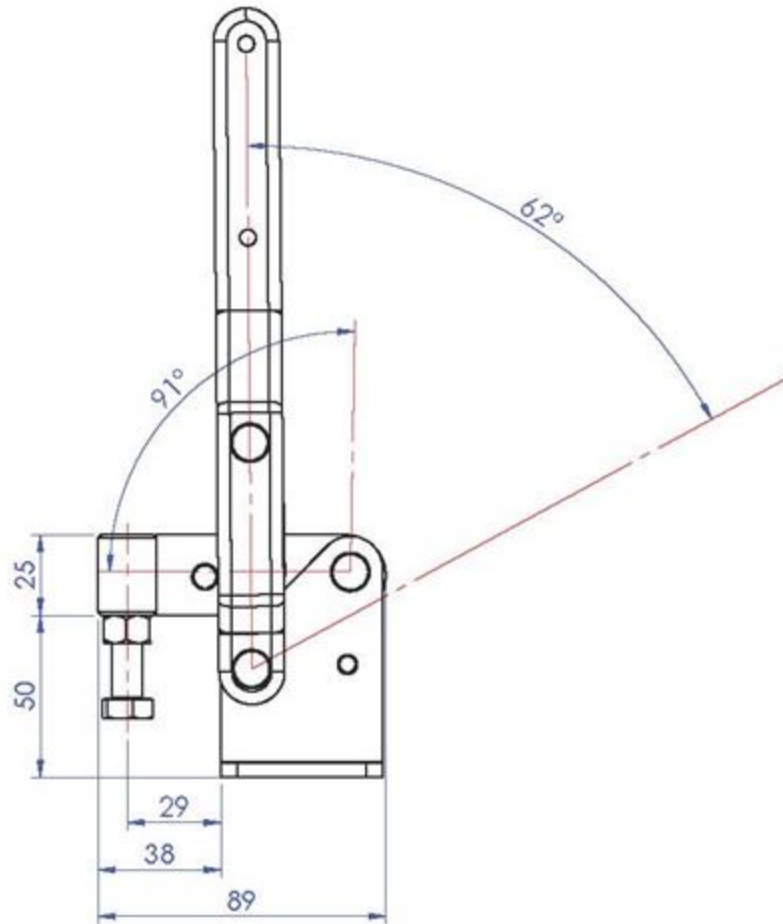
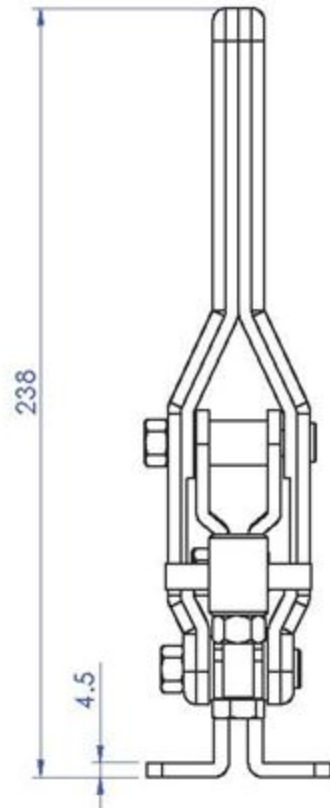
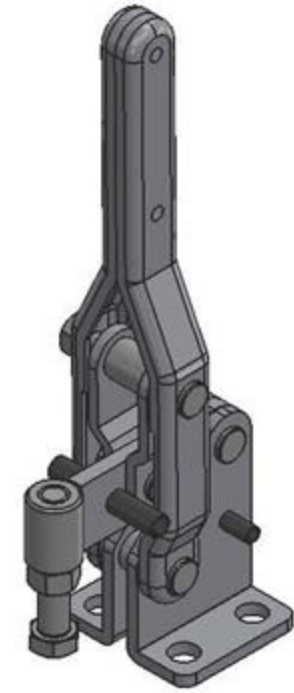
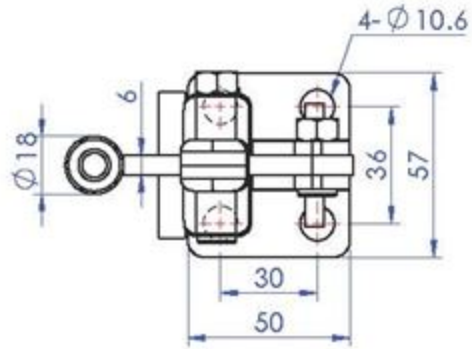
Unit:mm

Scale: 1:2.5

Good Hand UK Ltd

TITLE:		
DWG NO.	GH-10444	A4

Part No:	GH-10448
Holding Capacity:	400Kg
Bar Opens:	91°
Handle Opens:	62°
Weight:	0.84Kg
Spindle Supplied:	SA-38200



Unit:mm

Scale: 1:2.5

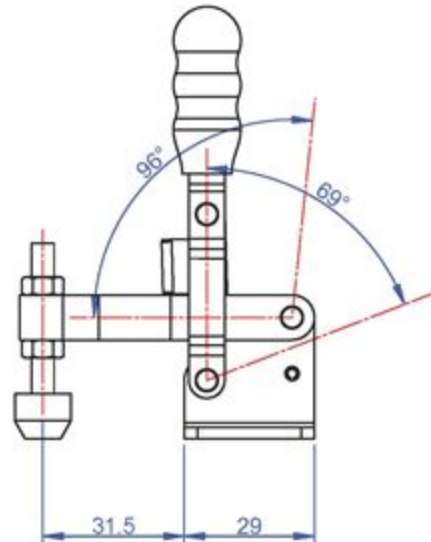
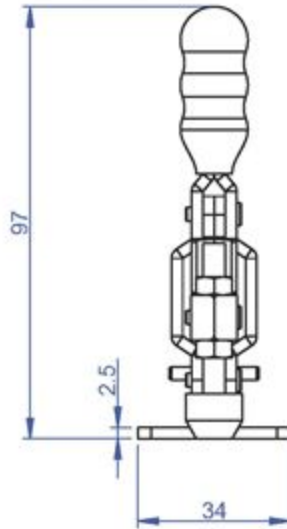
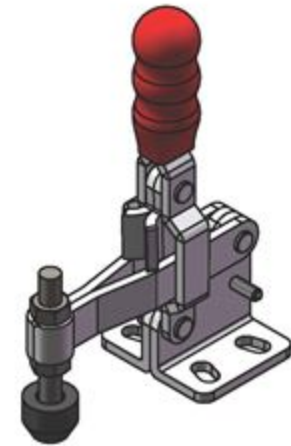
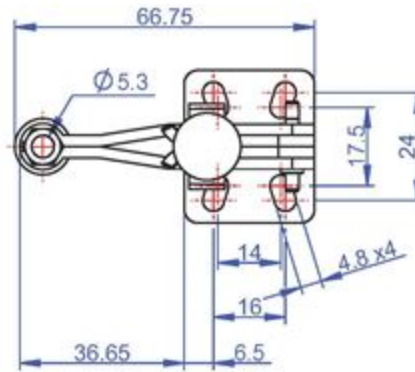
Good Hand UK Ltd

TITLE:

DWG NO. GH-10448

A4

Part No:	GH-11002-C
Holding Capacity:	100 Kg
Bar Opens:	96°
Handle Opens:	69°
Weight:	0.12 Kg
Spindle Supplied:	SA-053508+NC-05



Drawing Scale:1:1.5
Unit:mm

Good Hand UK Ltd

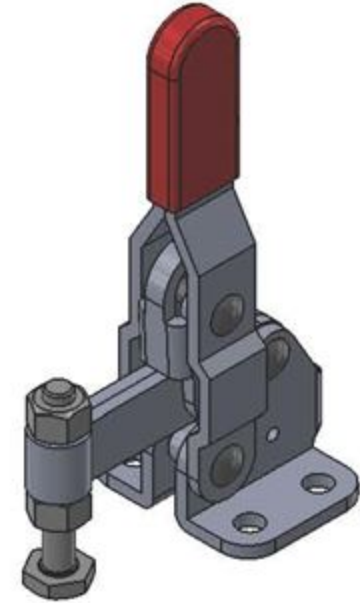
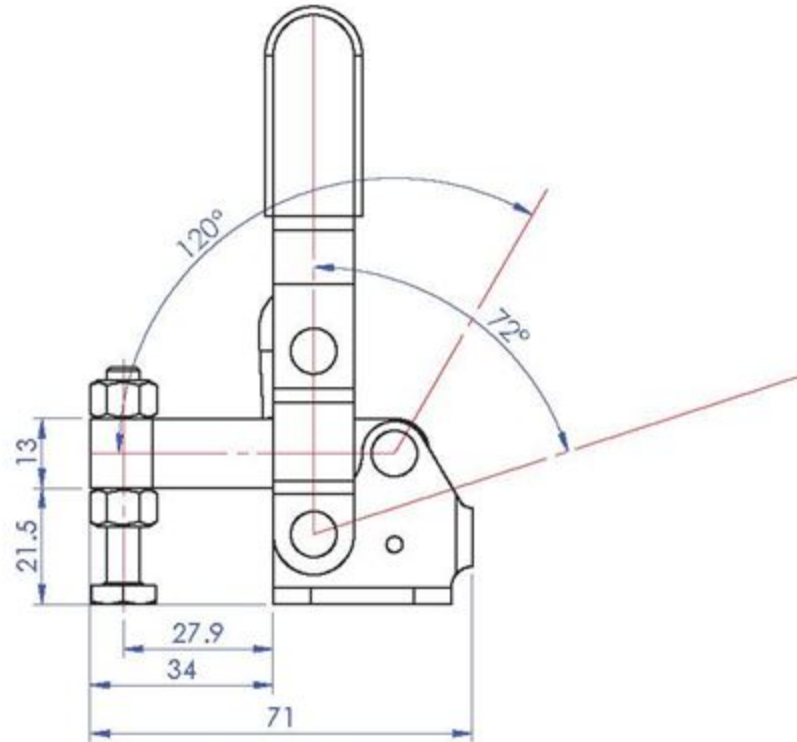
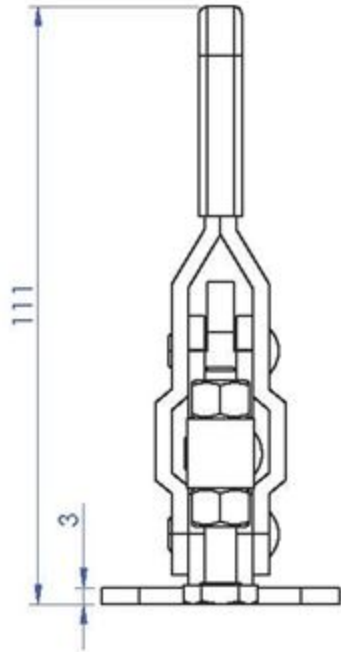
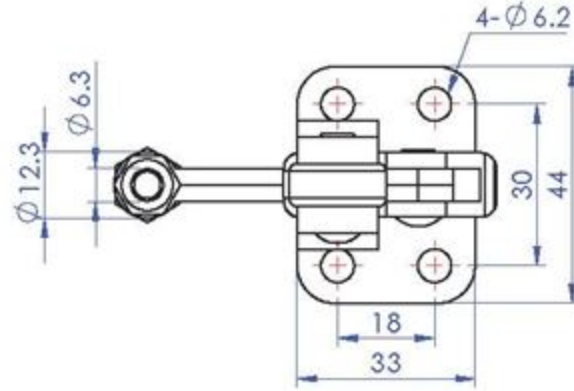
TITLE:

DWG NO.

GH-11002-C

A4

Part No:	GH-11401
Holding Capacity:	100Kg
Bar Opens:	120°
Handle Opens:	72°
Weight:	0.21Kg
Spindle Supplied:	SA-064010



Unit:mm

Scale: 1:1.5

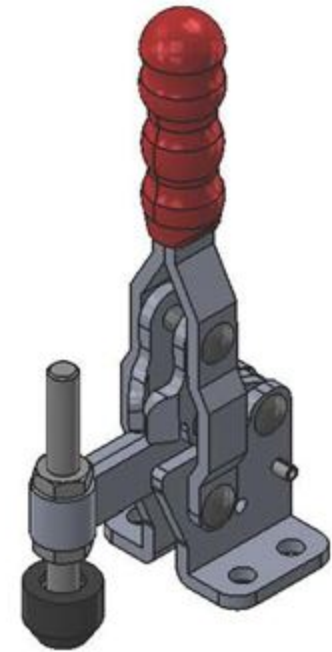
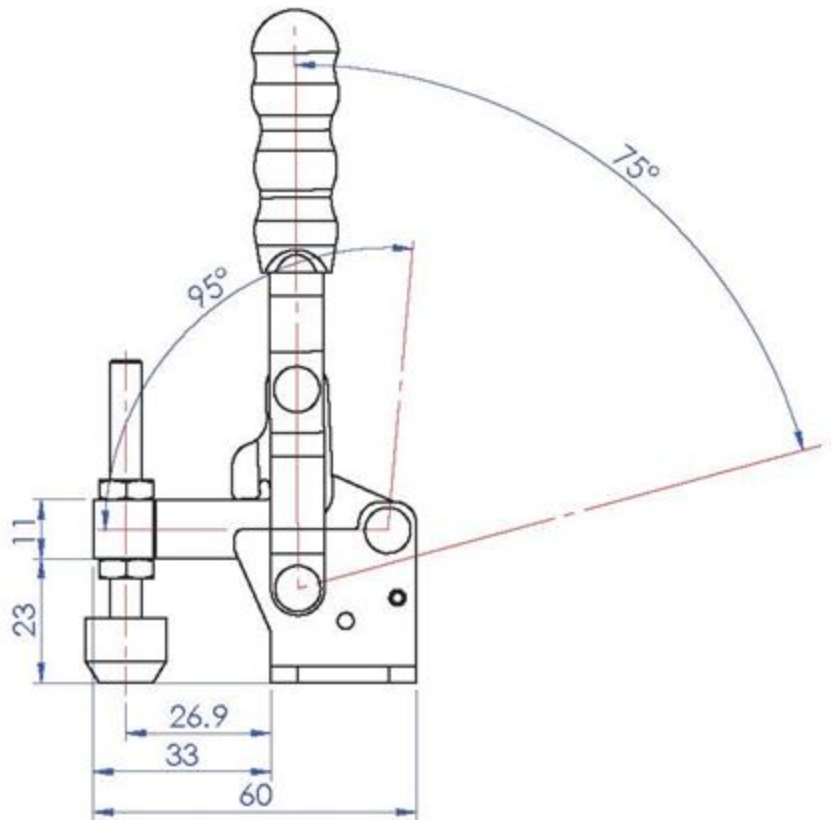
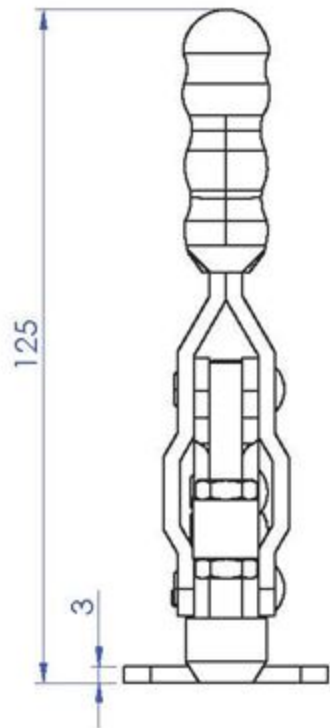
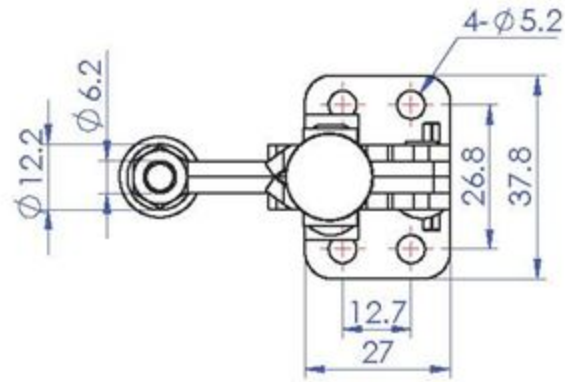
Good Hand UK Ltd

TITLE:

DWG NO. GH-11401

A4

Part No:	GH-11502-C
Holding Capacity:	150Kg
Bar Opens:	95° / 185°
Handle Opens:	75° / 110°
Weight:	0.186Kg
Spindle Supplied:	SA-065010 + NC-06
Flanged Washers:	-



Unit:mm

Scale: 1:1.5

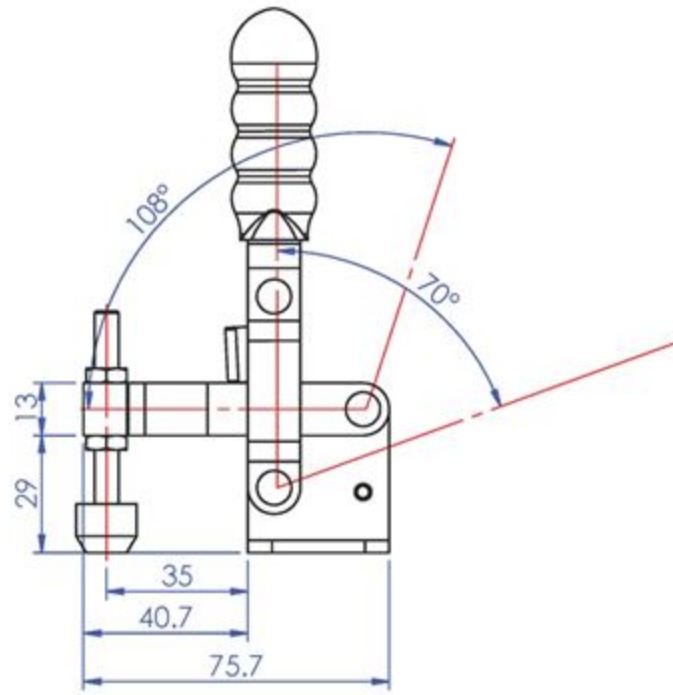
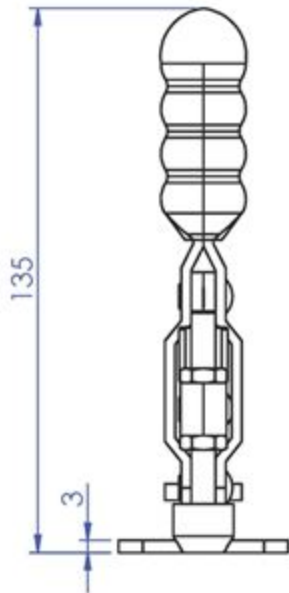
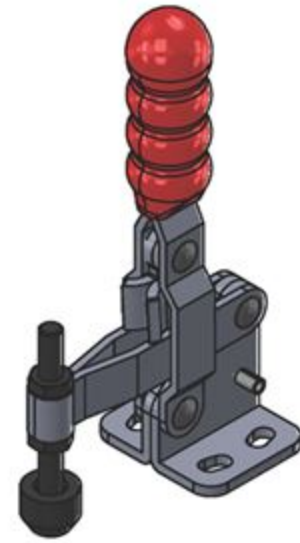
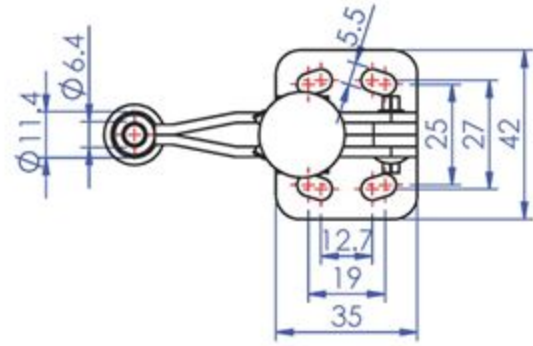
Good Hand UK Ltd

TITLE:

DWG NO. GH-11502-C


A4

Part No:	GH-12002-C
Holding Capacity:	150Kg
Bar Opens:	108°
Handle Opens:	70°
Weight:	0.225Kg
Spindle Supplied:	SA-065010+NC-06
Flanged Washers:	FW-140

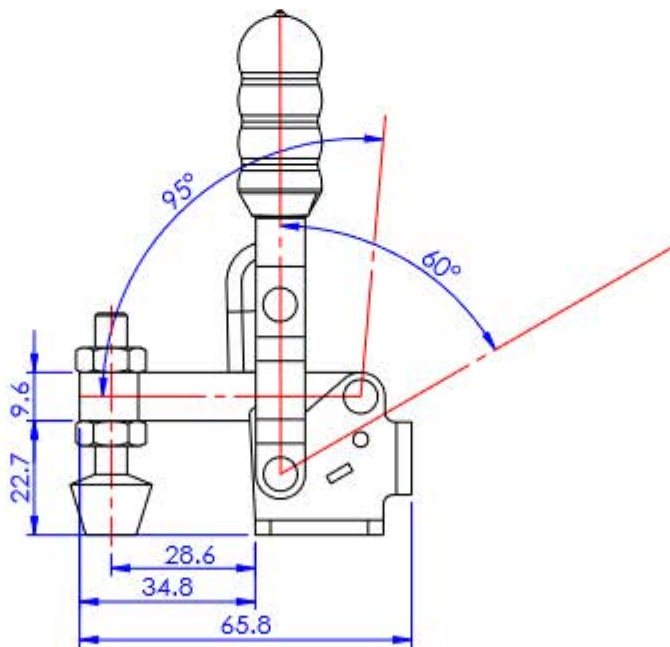
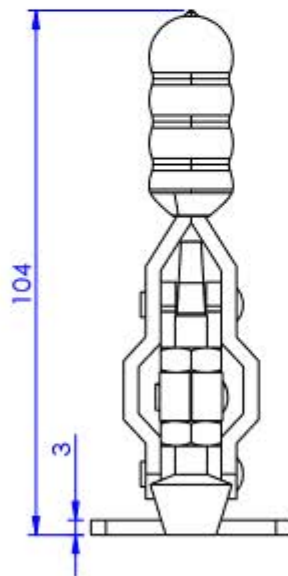
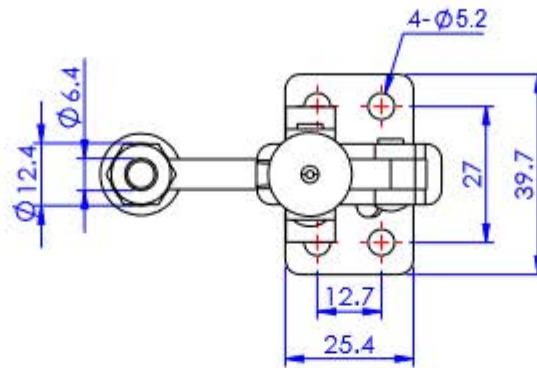


Unit:mm

Scale: 1:2

 Good Hand Enterprise Co., Ltd	
TITLE:	
DWG NO. GH-12002-C	A4

Part No:	GH-12050
Holding Capacity:	91Kg
Bar Opens:	95°
Handle Opens:	60°
Weight:	0.16Kg
Spindle Supplied:	FC-064410



Unit:mm

Scale: 1:1.5

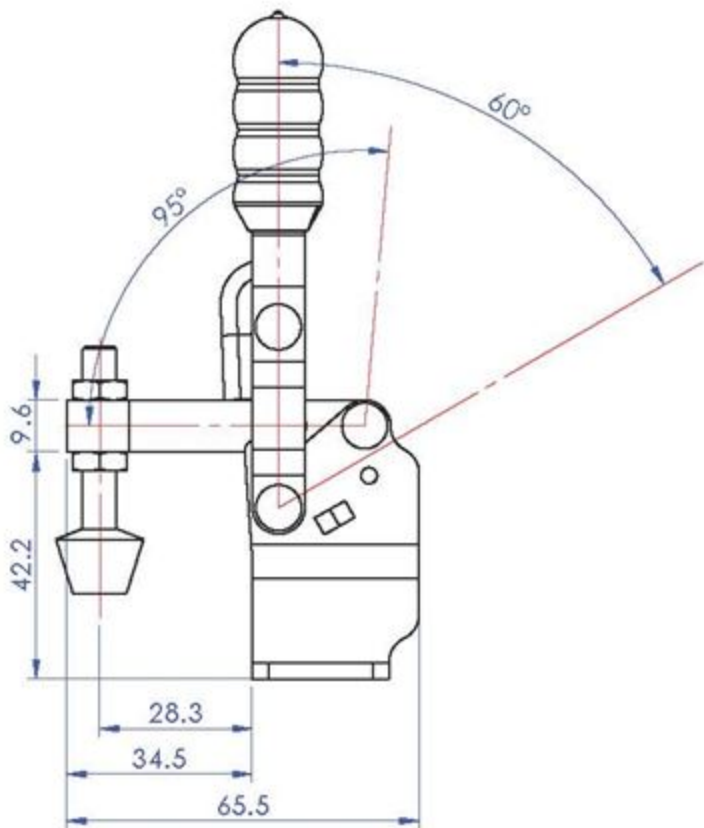
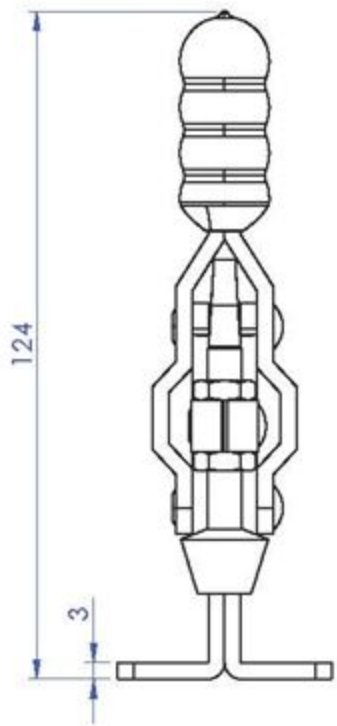
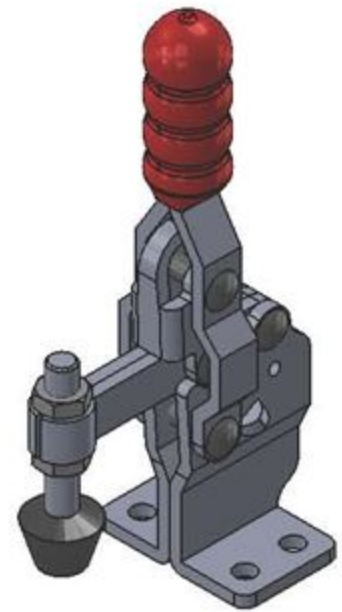
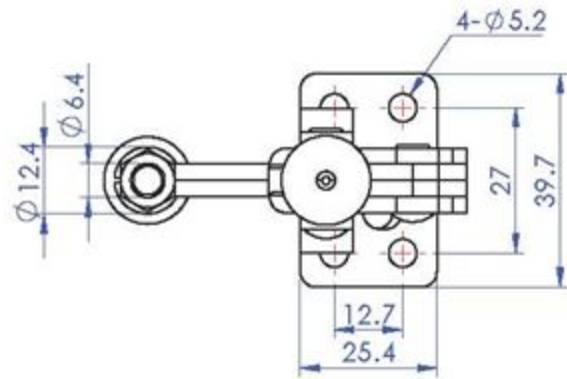
Good Hand UK Ltd

TITLE:

DWG NO. GH-12050

A4

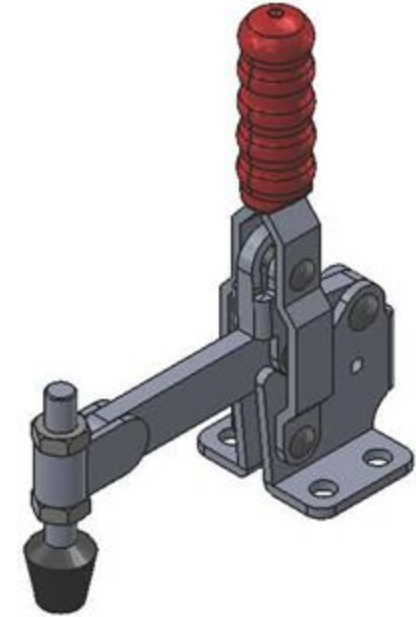
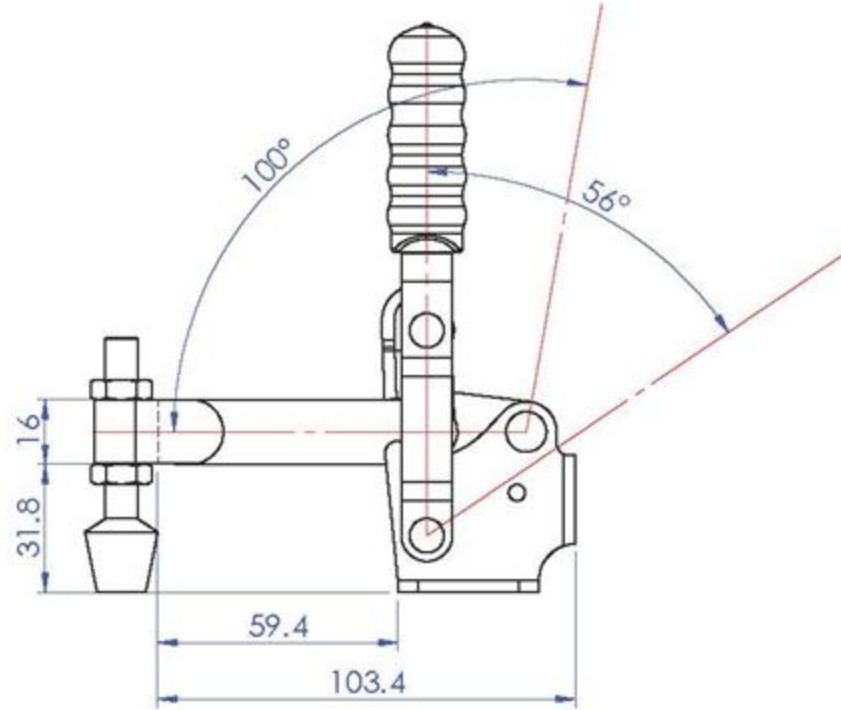
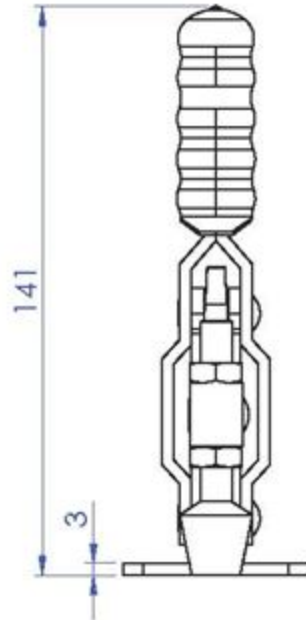
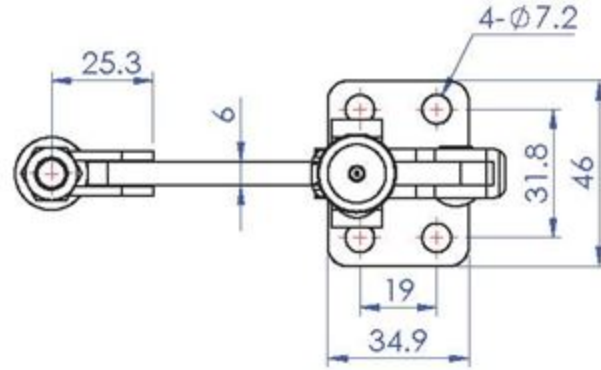
Part No:	GH-12050-HB
Holding Capacity:	91Kg
Bar Opens:	95°
Handle Opens:	60°
Weight:	0.186Kg
Spindle Supplied:	FC-14134



Unit:mm
Scale: 1:1.5

Good Hand UK Ltd	
TITLE:	
DWG NO.	GH-12050-HB
	A4

Part No:	GH-12140
Holding Capacity:	227Kg
Bar Opens:	100°
Handle Opens:	56°
Weight:	0.34Kg
Spindle Supplied:	FC-56212
Bolt Retainer:	BR-516



Unit:mm
Scale: 1:2

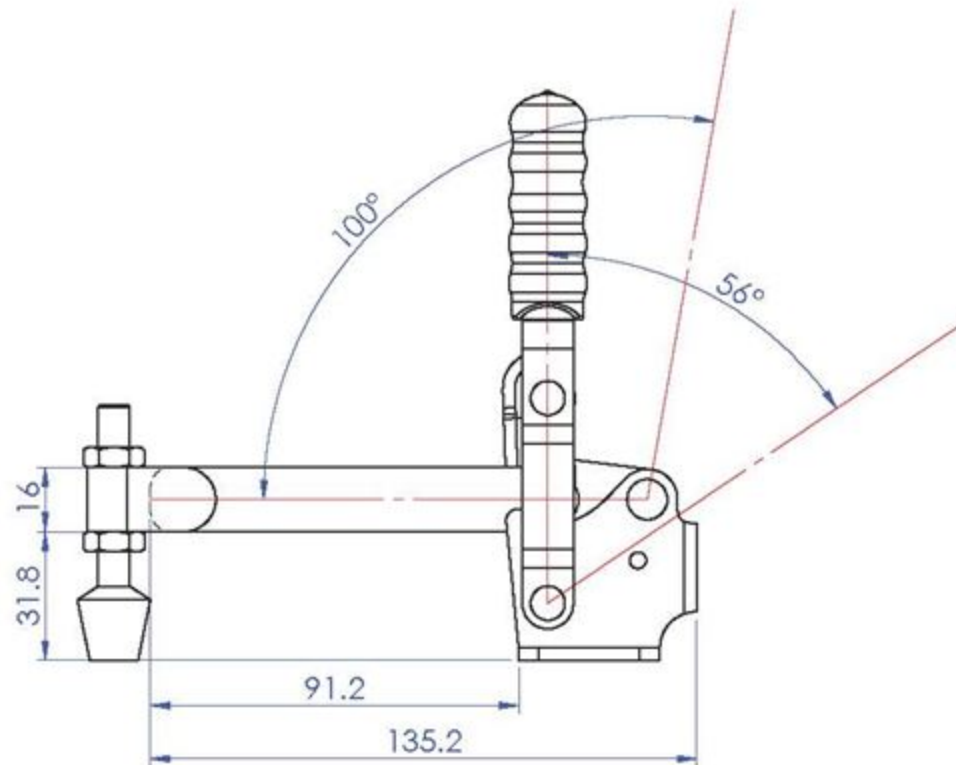
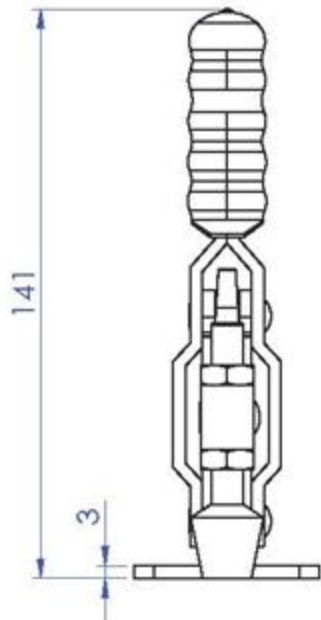
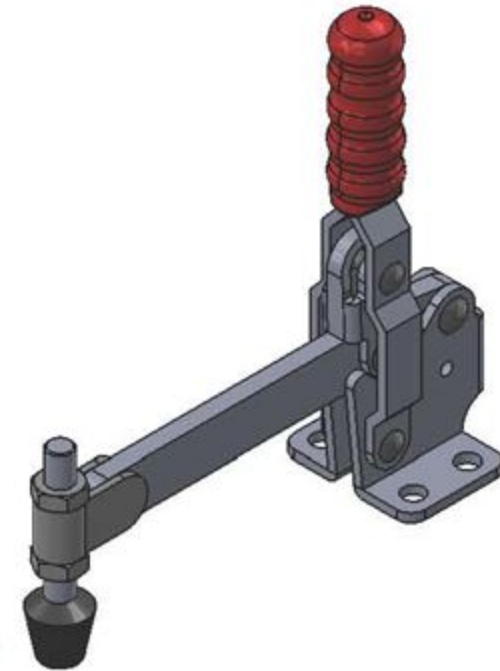
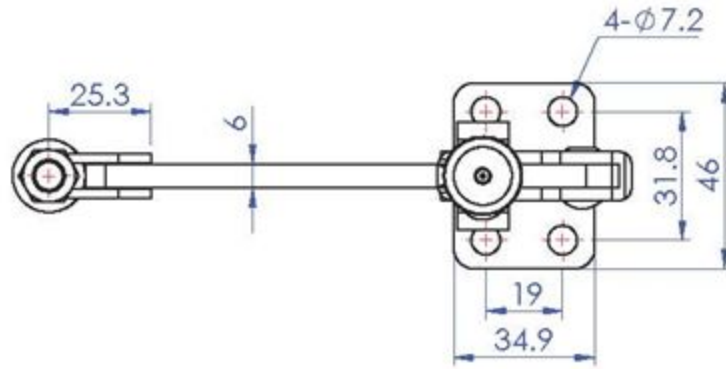
Good Hand UK Ltd

TITLE:

DWG NO. GH-12140

A4

Part No:	GH-12142
Holding Capacity:	227Kg
Bar Opens:	100°
Handle Opens:	56°
Weight:	0.355Kg
Spindle Supplied:	FC-56212
Bolt Retainer:	BR-516



Unit:mm

Scale: 1:2

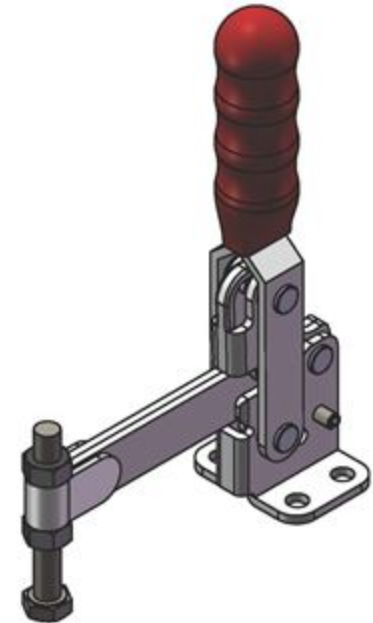
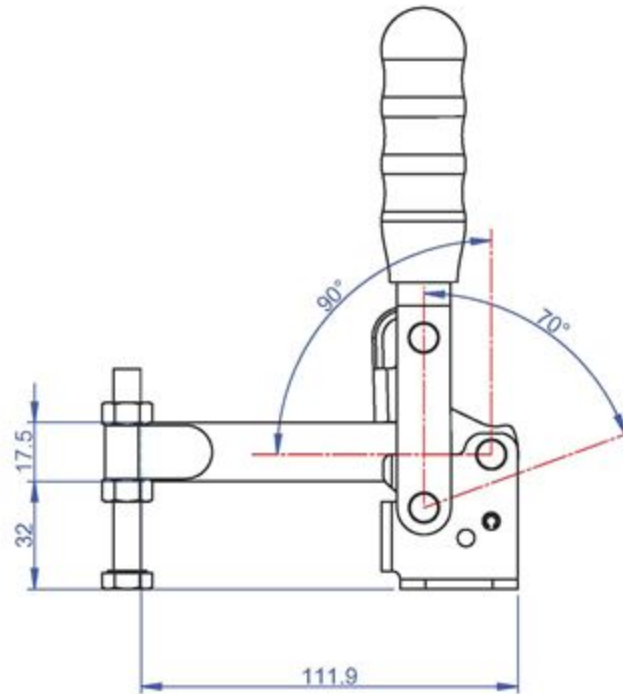
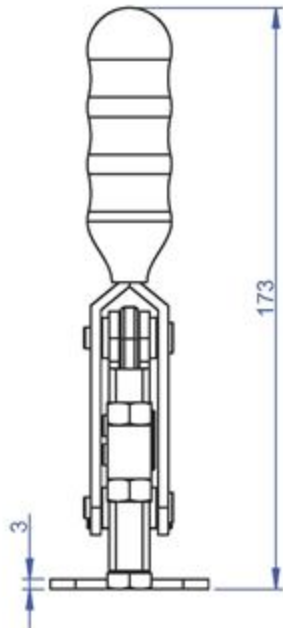
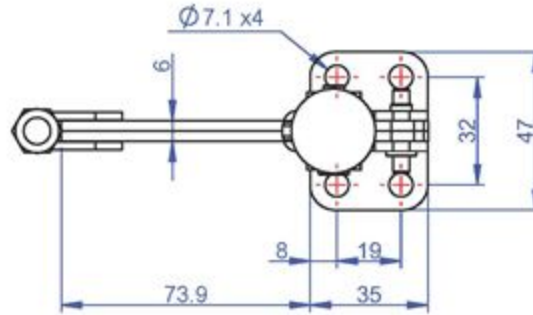
Good Hand UK Ltd

TITLE:

DWG NO. GH-12142

A4

Part No:	GH-12502-A
Holding Capacity:	250 Kg
Bar Opens:	90° /150°
Handle Opens:	70° /100°
Weight:	0.44 Kg
Spindle Supplied:	SA-086012
Bolt Retainer:	BR-516



Drawing Scale:1:2
Unit:mm

Good Hand UK Ltd

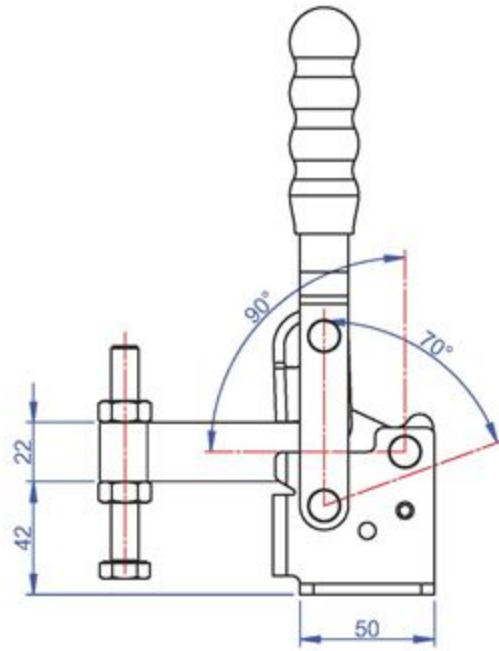
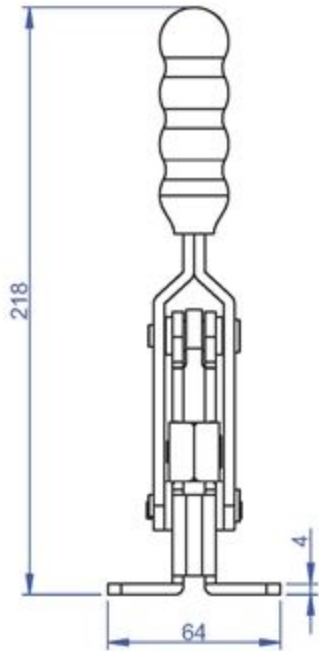
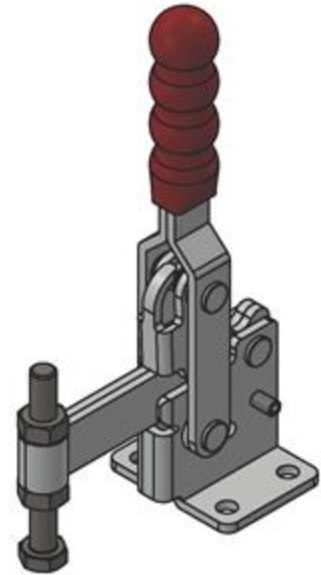
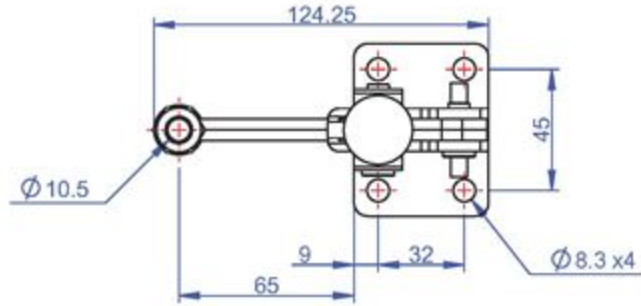
TITLE:

DWG NO.

GH-12502-A

A4

Part No:	GH-13502-C
Holding Capacity:	350 Kg
Bar Opens:	90° / 180°
Handle Opens:	70° / 100°
Weight:	0.86 Kg
Spindle Supplied:	SA-108015



Drawing Scale:1:2.5
Unit:mm

Good Hand UK Ltd

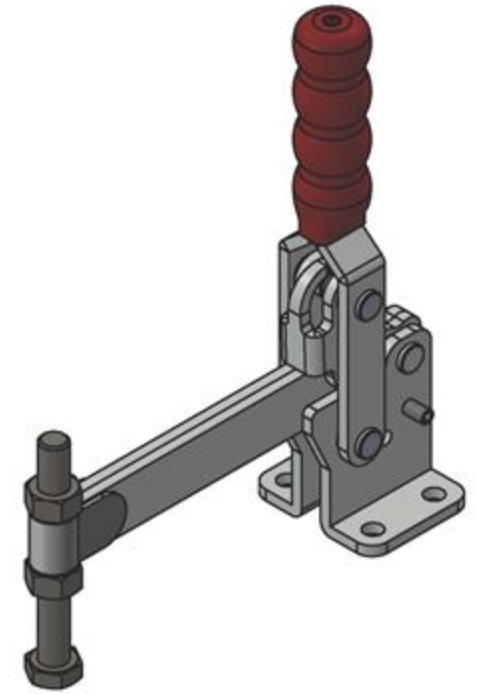
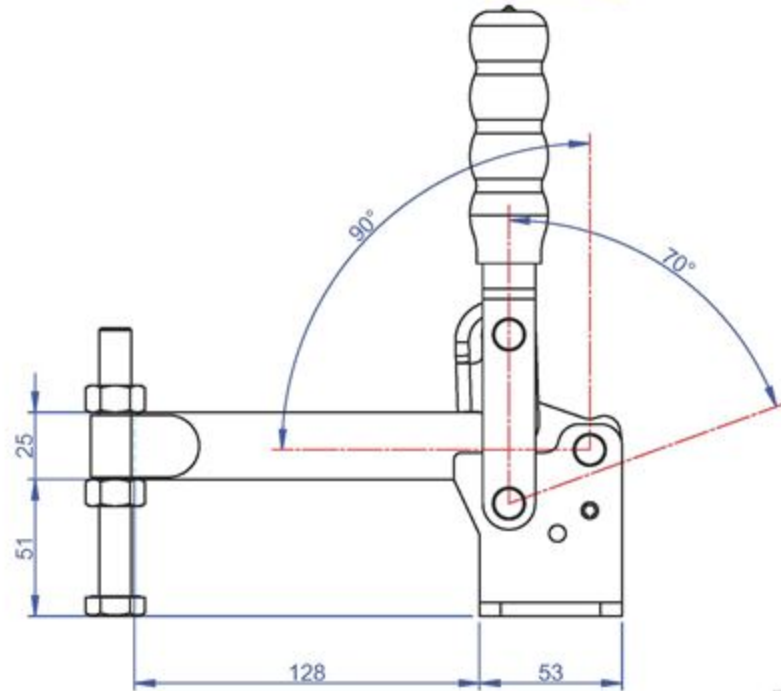
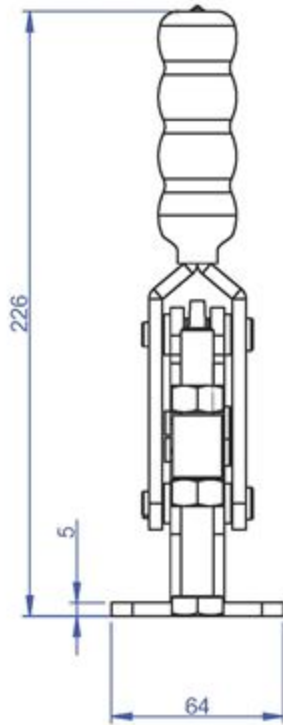
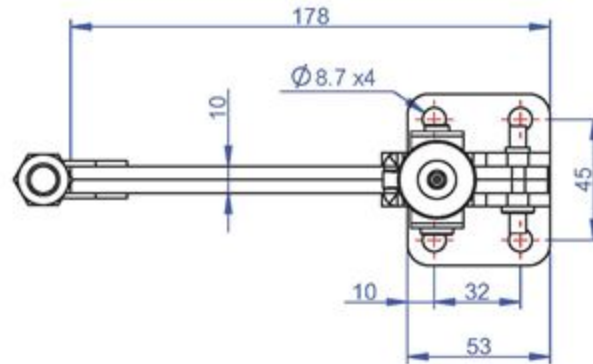
TITLE:

DWG NO.

GH-13502-C

A4

Part No:	GH-14502-A
Holding Capacity:	450 Kg
Bar Opens:	90°/125°
Handle Opens:	70°/85°
Weight:	1.3 Kg
Spindle Supplied:	SA-121017
Bolt Retainer:	BR-120



Drawing Scale:1:2.5
Unit:mm

Good Hand UK Ltd

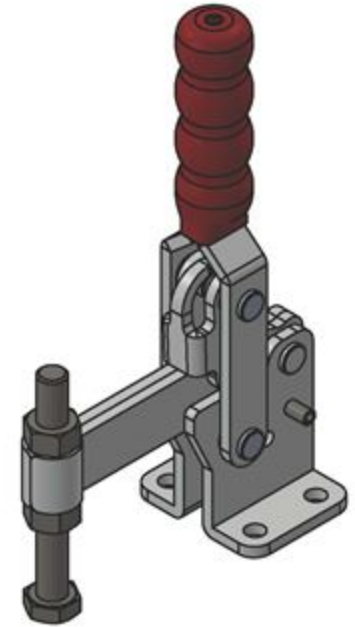
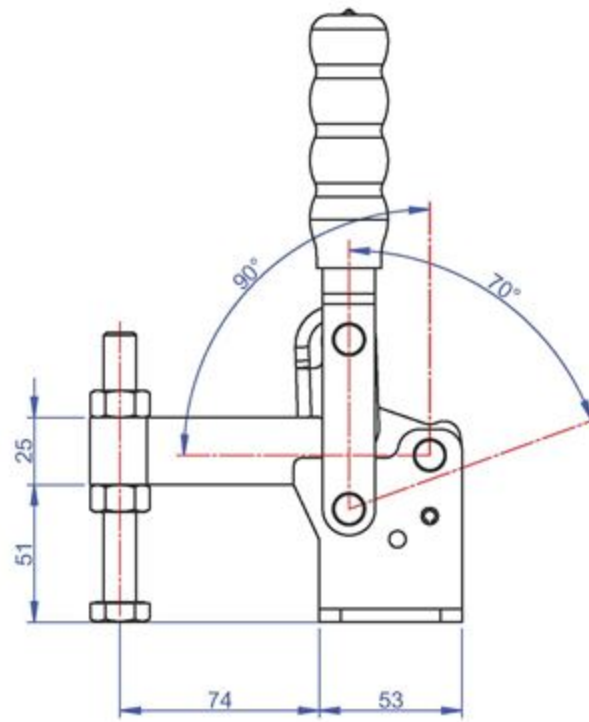
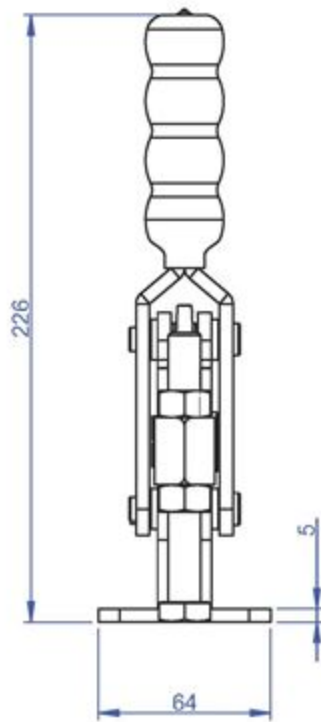
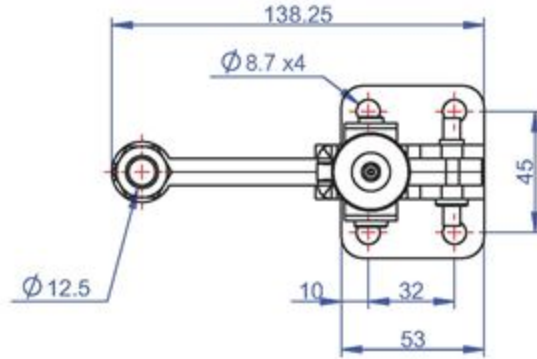
TITLE:

DWG NO.

GH-14502-A

A4

Part No:	GH-14502-C
Holding Capacity:	450 Kg
Bar Opens:	90° /125°
Handle Opens:	70° /85°
Weight:	1.2 Kg
Spindle Supplied:	SA-121017



Drawing Scale:1:2.5
Unit:mm

Good Hand UK Ltd

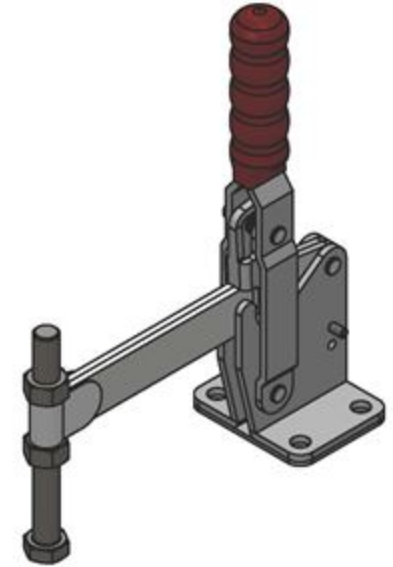
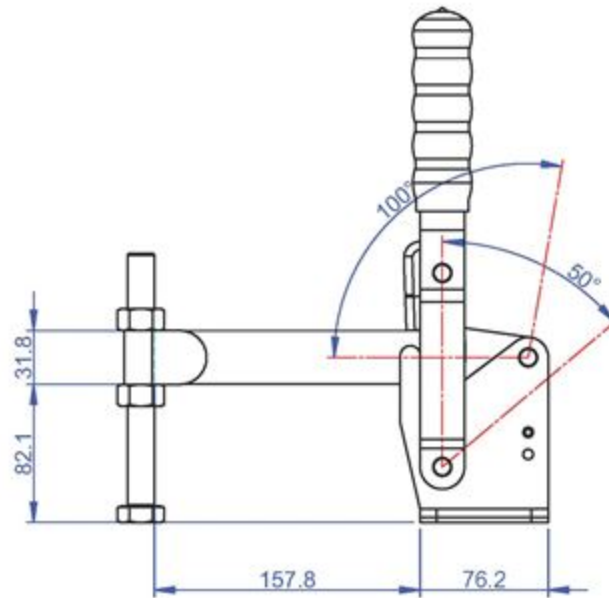
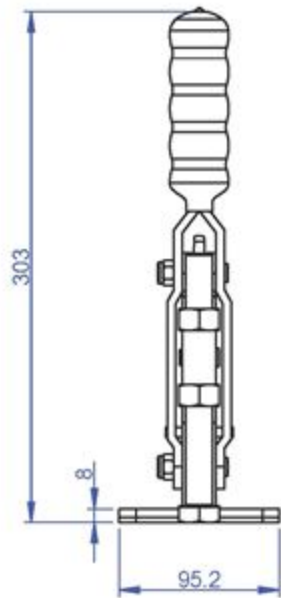
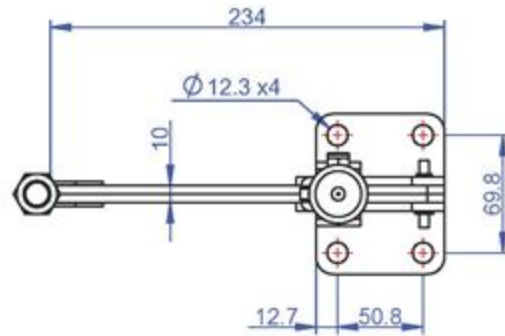
TITLE:

DWG NO.

GH-14502-C

A4

Part No:	GH-15502-A
Holding Capacity:	550 Kg
Bar Opens:	100° / 140°
Handle Opens:	50° / 60°
Weight:	2.7 Kg
Spindle Supplied:	SA-161520
Bolt Retainer:	BR-580



Drawing Scale: 1:4
Unit: mm

Good Hand UK Ltd

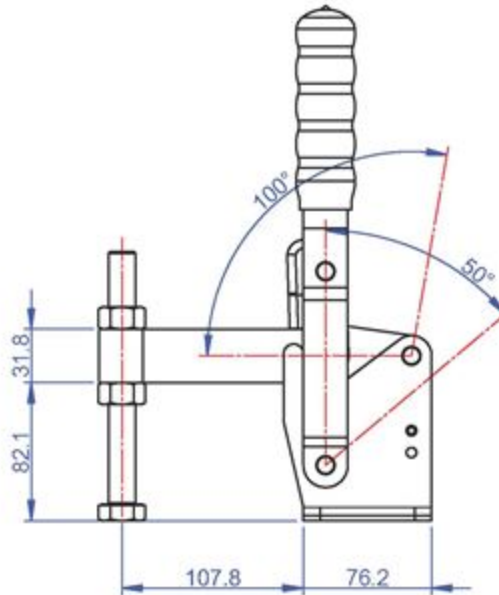
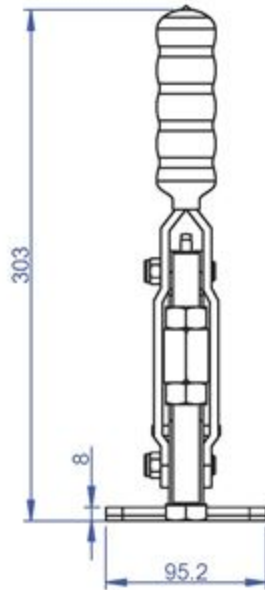
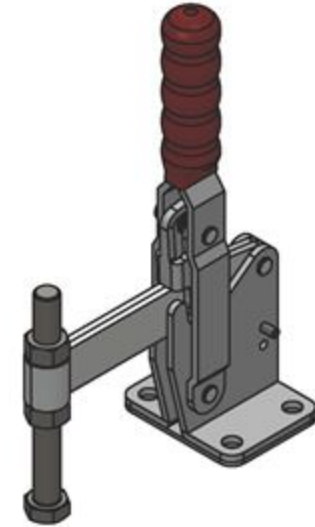
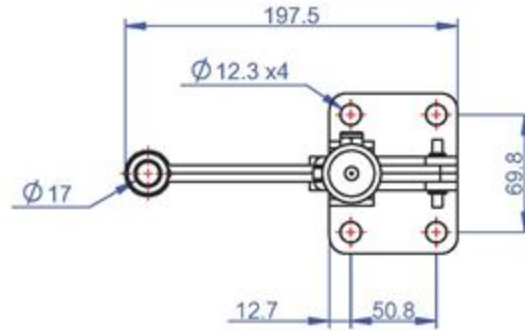
TITLE:

DWG NO.

GH-15502-A

A4

Part No:	GH-15502-C
Holding Capacity:	550 Kg
Bar Opens:	100° / 140°
Handle Opens:	50° / 60°
Weight:	2.5 Kg
Spindle Supplied:	SA-161520



Drawing Scale: 1:4
Unit: mm

Good Hand UK Ltd

TITLE:

DWG NO.

GH-15502-C

A4