



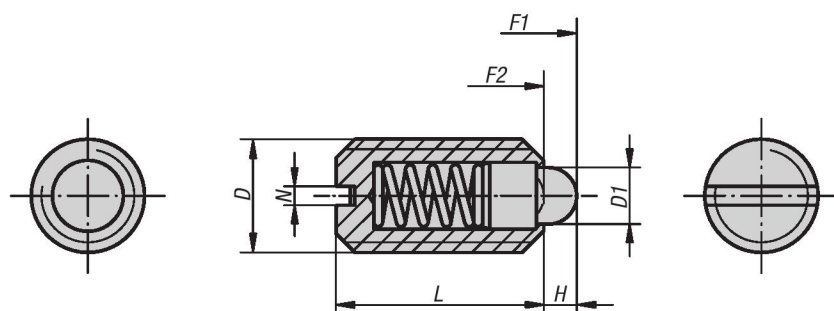
# Spring Plungers

pin style, slotted, stainless steel



INCH  
Parts

METRIC  
Parts



### Material:

Body in stainless steel 1.4305;  
pressure pin in stainless steel 1.4034;  
spring in stainless steel 1.4310

### Type:

Body natural finish,  
pressure pin hardened

### Part Number Example:

K0314.AG

## KIPP Spring Plungers, pin style, slotted, stainless steel, standard end pressure, inch

Item No.	D	D1	L	H	N	Spring force initial pressure F1 approx. N	Spring force final pressure F2 approx. N
K0314.AG	8-36	1.8	9	1.5	0.6	6	20
K0314.AE	8-32	1.8	9	1.5	0.6	6	20
K0314.A1	10-32	2.4	12	2	0.8	6	20
K0314.AJ	1/4-28	2.7	14	2	1	7	20
K0314.A2	1/4-20	2.7	14	2	1	7	20
K0314.A3	5/16-18	4	16	2	1.2	15	30
K0314.A4	3/8-16	4.5	19	2.5	1.6	20	35
K0314.A5	1/2-13	6	22	3.5	2	30	55
K0314.A6	5/8-11	8.5	24	4.5	2.5	45	100



# Spring Plungers

pin style, slotted, stainless steel

## KIPP Spring Plungers, pin style, slotted, stainless steel, light end pressure, inch

Item No.	D	D1	L	H	N	Spring force initial pressure F1 approx. N	Spring force final pressure F2 approx. N
K0314.1AG	8-36	1.8	9	1.5	0.6	2	7
K0314.1AE	8-32	1.8	9	1.5	0.6	3	10
K0314.1A1	10-32	2.4	12	2	0.8	3	10
K0314.1AJ	1/4-28	2.7	14	2	1	3	9
K0314.1A2	1/4-20	2.7	14	2	1	4	10
K0314.1A3	5/16-18	4	16	2	1.2	7	15
K0314.1A4	3/8-16	4.5	19	2.5	1.6	9	16
K0314.1A5	1/2-13	6	22	3.5	2	14	26
K0314.1A6	5/8-11	8.5	24	4.5	2.5	22	50

## KIPP Spring Plungers, pin style, slotted, stainless steel, standard end pressure, metric

Item No.	D	D1	L	H	N	Spring force initial pressure F1 approx. N	Spring force final pressure F2 approx. N
K0314.04	M4	1,8	9	1,5	0,6	6	20
K0314.05	M5	2,4	12	2	0,8	6	20
K0314.06	M6	2,7	14	2	1	7	20
K0314.08	M8	4	16	2	1,2	15	30
K0314.10	M10	4,5	19	2,5	1,6	20	35
K0314.12	M12	6	22	3,5	2	30	55
K0314.16	M16	8,5	24	4,5	2,5	45	100
K0314.20	M20	10	30	6,5	2,5	60	120

## KIPP Spring Plungers, pin style, slotted, stainless steel, light end pressure, metric

Item No.	D	D1	L	H	N	Spring force initial pressure F1 approx. N	Spring force final pressure F2 approx. N
K0314.104	M4	1,8	9	1,5	0,6	3	10
K0314.105	M5	2,4	12	2	0,8	3	10
K0314.106	M6	2,7	14	2	1	4	10
K0314.108	M8	4	16	2	1,2	7	15
K0314.110	M10	4,5	19	2,5	1,6	9	16
K0314.112	M12	6	22	3,5	2	14	26
K0314.116	M16	8,5	24	4,5	2,5	22	50
K0314.120	M20	10	30	6,5	2,5	30	60