

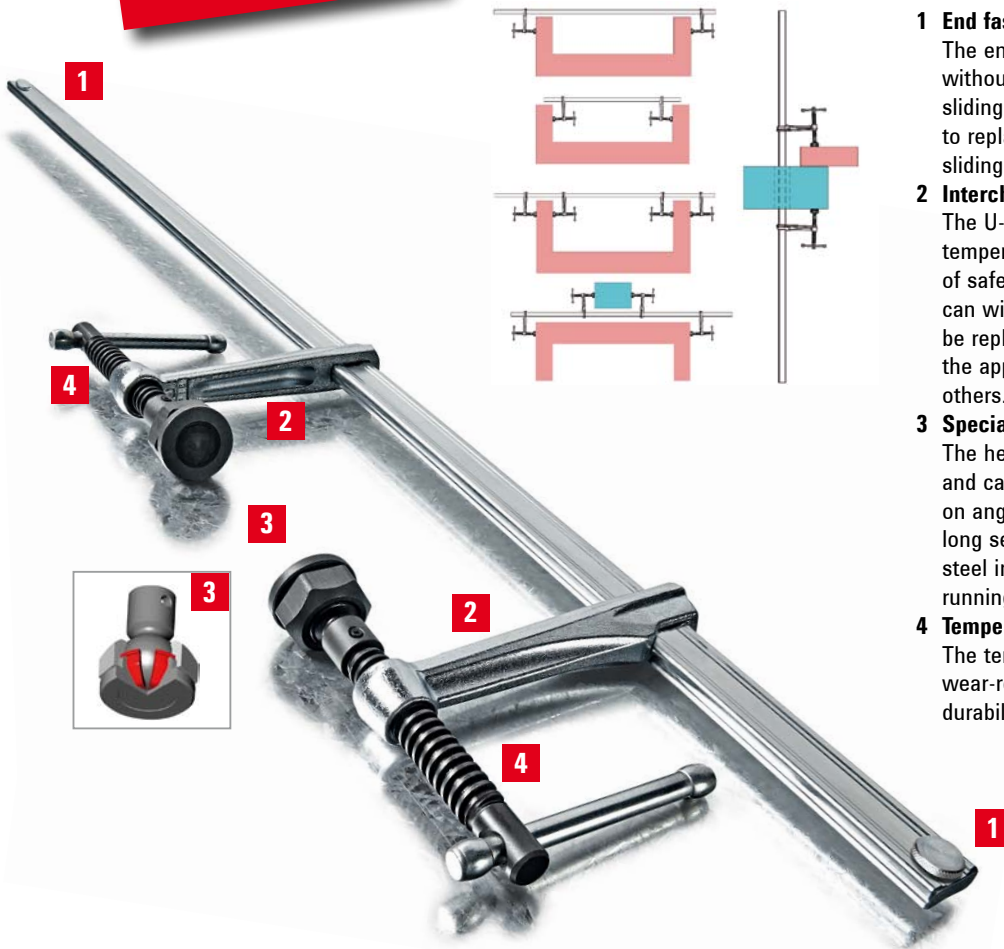
Variable screw clamps

# New flexibility with large clamping widths



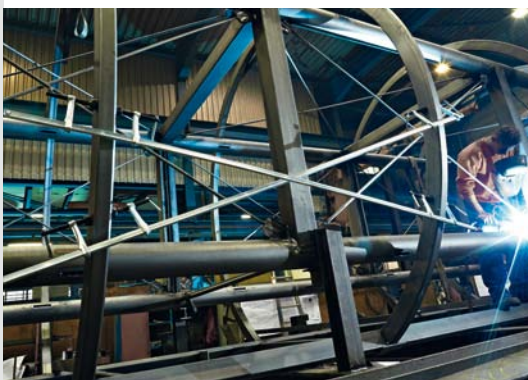
Simply better.

**NEW**



Your benefits at a glance:

- 1 End fastenings can be loosened without tools**  
The end fastenings on both sides can be loosened without tools enabling rapid changeover of the sliding arms for spreading tasks. It is also possible to replace the sliding arms or to add additional sliding arms easily.
- 2 Interchangeable sliding arms**  
The U-shaped sliding arm is made from forged tempered steel and guarantees the highest level of safety through the linear transfer of forces and can withstand extremely large loads. These can be replaced by other sliding arm variants to suit the application and can also be supplemented by others.
- 3 Special tilting pressure plate**  
The heat-resistant pressure plate is replaceable and can be tilted up to 35° so it can even clamp on angled or sloping surfaces. It has an extremely long service-life due to the oil-soaked sintered steel insert's excellent sliding and emergency running properties.
- 4 Tempered spindle**  
The tempered spindle is particularly sturdy and wear-resistant. This considerably increases its durability.

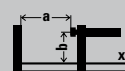


## Variable high-performance clamps – Complete sets SLV/GSV



Order-No.	← a → mm	← b → mm	← x → mm	⚖ kg	VB0002
<b>Variable high-performance clamp set SLV</b>					
SLV100M	1000	120	28 x 11	4.25	
SLV150M	1500	120	28 x 11	5.25	
SLV200M	2000	120	28 x 11	6.25	
<b>Variable high-performance clamp set GSV</b>					
GSV300M	3000	140	30 x 15	12.66	

- Clamping force up to 6,500 N (SLV) or 9,000 N (GSV)
- Tipping is prevented through central positioning on the workpiece
- Long service life thanks to special heat-resistant pressure plate with sintered steel insert, can be tilted by up to 35°
- Can be converted without tools for spreading tasks
- Clamp can be fed through an opening in the workpiece/component
- Wide range of possible applications due to interchangeable sliding arm available in various different designs (see accessories)



## Variable screw clamps

# A modular system for a wide range of applications



Simply better.

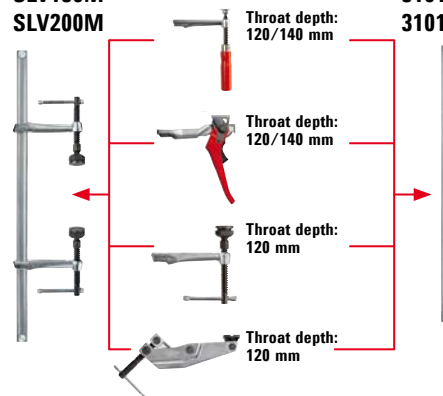


Alongside complete assembled high-performance clamping sets BESSEY also offers versatile accessories that can be combined with one another. Sliding arms that are already fitted can be changed over from clamping to spreading or replaced by different sliding arms or even supplemented with others.

**4 clamp sets**  
**+ 4 rails**  
**+ 9 sliding arms**  
**= „X“ options**

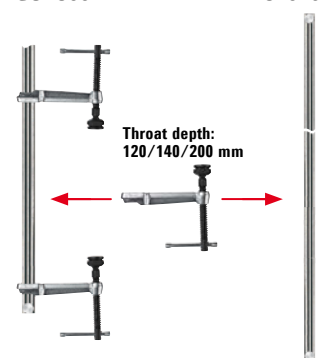
SLV100M  
 SLV150M  
 SLV200M

3101609  
 3101610  
 3101611



GSV300M

3101612



- 28 x 11 mm (SLV) or 35 x 11 mm (GSV) profile, cold drawn and galvanised
- End fastenings on both sides can be loosened without tools – for rapid changeover
- Suitable for all SLV size sliding arms



### SLV/GSV size rails

Order-No.	< a > mm	< x > mm	⚖ kg	VB0002
<b>SLV size rail</b>				
3101609	1000	28 x 11	2.41	
3101610	1500	28 x 11	3.41	
3101611	2000	28 x 11	4.42	
<b>GSV size rail</b>				
3101612	3000	30 x 15	10.40	

- Four different grip variants/designs with different throats depths
- Suitable for all SLV size rails



### Complete sliding arm for SLV sizes

Order-No.	Description	< b > mm	< x > mm	⚖ kg	VB0002
3101519	Wooden handle	120	28 x 11	0.74	
3101518	Wooden handle	140	28 x 11	0.86	
3101525	Lever handle	120	28 x 11	1.10	
3101524	Lever handle	140	28 x 11	1.14	
3101521	Tommy bar incl. high-performance pressure plate	120	28 x 11	0.91	
3101590	Gripping arm	120	28 x 11	1.32	

- One arm design with three throat depths
- Suitable for GSV size rails



### Complete sliding arm for GSV sizes

Order-No.	Description	< b > mm	< x > mm	⚖ kg	VB0002
3101329	Tommy bar incl. high-performance pressure plate	120	30 x 15	1.13	
3101330		140	30 x 15	1.21	
3101331		200	30 x 15	1.40	