

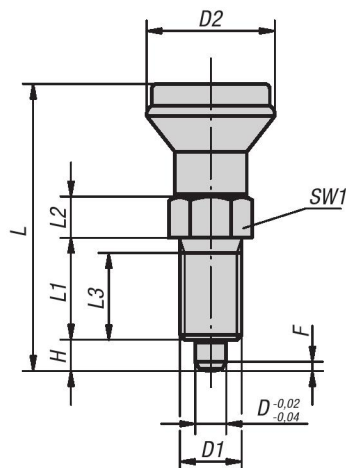


Indexing Plungers

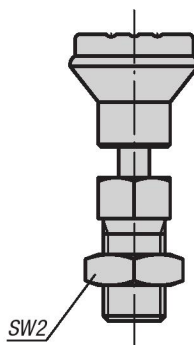
pull knob

INCH Parts METRIC Parts

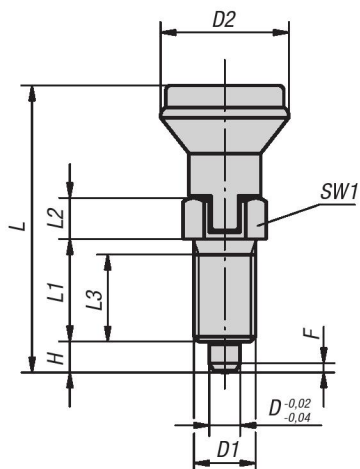
Style A
non-lockout type
without locknut



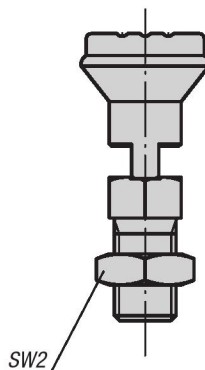
Style B
non-lockout type
with locknut



Style C
lockout type
without locknut



Style D
lockout type
with locknut



Material:

- Steel version, locking pin hardened: quality class 5.8
- Stainless steel version, locking pin hardened: threaded sleeve 1.4305 locking pin 1.4034
- Stainless steel version, locking pin not hardened: threaded sleeve 1.4305 locking pin 1.4305

Mushroom knob in black gray thermoplastic

Type:

- Steel version, locking pin hardened: black oxide finish, locking pin ground
- Stainless steel version, locking pin hardened: natural finish, locking pin ground
- Stainless steel version, locking pin not hardened: natural finish, locking pin ground

Part Number Example:

K0339.1005A4

Note:

Indexing plungers are used to prevent any change in locking position due to lateral forces. A new locking position can only be set after the pin has been manually disengaged.

Style C or D is recommended for applications in which the pin is disengaged over extended periods and should be prevented from springing back.

On request:

Special versions and spacer rings.

KIPP Indexing Plungers, pull knob, steel, locking pin hardened, inch

| Item No. Style A | Item No. Style B | Item No. Style C | Item No. Style D | D | D1 | D2 | L | L1 | L2 | L3 | H | SW1 | SW2 | F x 30° | Spring force initial pressure F1 approx. N | Spring force final pressure F2 approx. N |
|---------------------|---------------------|---------------------|---------------------|----|--------|----|----|----|----|----|----|-----|-------------------|---------|--|--|
| K0339.1005A4 | K0339.2005A4 | K0339.3005A4 | K0339.4005A4 | 5 | 3/8-16 | 21 | 47 | 17 | 7 | 15 | 5 | 13 | -19/16 -19/16 | 1.3 | 5 | 12 |
| K0339.1105AL | K0339.2105AL | K0339.3105AL | K0339.4105AL | 5 | 3/8-24 | 21 | 47 | 17 | 7 | 15 | 5 | 13 | -19/16 -19/16 | 1.3 | 5 | 12 |
| K0339.1206A5 | K0339.2206A5 | K0339.3206A5 | K0339.4206A5 | 6 | 1/2-13 | 25 | 56 | 20 | 8 | 17 | 6 | 14 | -13/4 -13/4 | 1.8 | 6 | 14 |
| K0339.1308A6 | K0339.2308A6 | K0339.3308A6 | K0339.4308A6 | 8 | 5/8-11 | 33 | 74 | 26 | 10 | 23 | 8 | 19 | -115/16 -115/16 | 2.3 | 15 | 35 |
| K0339.1410A7 | K0339.2410A7 | K0339.3410A7 | K0339.4410A7 | 10 | 3/4-10 | 33 | 80 | 28 | 12 | 25 | 10 | 22 | -111/8 -111/8 | 2.8 | 15 | 34 |



Indexing Plungers

pull knob

KIPP Indexing Plungers, pull knob, stainless steel, locking pin hardened, inch

| Item No. Style A | Item No. Style B | Item No. Style C | Item No. Style D | D | D1 | D2 | L | L1 | L2 | L3 | H | SW1 | SW2 | F x 30° | Spring force initial pressure F1 approx. N | Spring force final pressure F2 approx. N |
|---------------------|---------------------|---------------------|---------------------|----|--------|----|----|----|----|----|----|-----|-------------------|---------|--|--|
| K0339.01005A4 | K0339.02005A4 | K0339.03005A4 | K0339.04005A4 | 5 | 3/8-16 | 21 | 47 | 17 | 7 | 15 | 5 | 13 | -19/16 -19/16 | 1.3 | 5 | 12 |
| K0339.01105AL | K0339.02105AL | K0339.03105AL | K0339.04105AL | 5 | 3/8-24 | 21 | 47 | 17 | 7 | 15 | 5 | 13 | -19/16 -19/16 | 1.3 | 5 | 12 |
| K0339.01206A5 | K0339.02206A5 | K0339.03206A5 | K0339.04206A5 | 6 | 1/2-13 | 25 | 56 | 20 | 8 | 17 | 6 | 14 | -13/4 -13/4 | 1.8 | 6 | 14 |
| K0339.01308A6 | K0339.02308A6 | K0339.03308A6 | K0339.04308A6 | 8 | 5/8-11 | 33 | 74 | 26 | 10 | 23 | 8 | 19 | -115/16 -115/16 | 2.3 | 15 | 35 |
| K0339.01410A7 | K0339.02410A7 | K0339.03410A7 | K0339.04410A7 | 10 | 3/4-10 | 33 | 80 | 28 | 12 | 25 | 10 | 22 | -111/8 -111/8 | 2.8 | 15 | 34 |

KIPP Indexing Plungers, pull knob, stainless steel, locking pin not hardened, inch

| Item No. Style A | Item No. Style B | Item No. Style C | Item No. Style D | D | D1 | D2 | L | L1 | L2 | L3 | H | SW1 | SW2 | F x 30° | Spring force initial pressure F1 approx. N | Spring force final pressure F2 approx. N |
|---------------------|---------------------|---------------------|---------------------|----|--------|----|----|----|----|----|----|-----|-------------------|---------|--|--|
| K0339.11005A4 | K0339.12005A4 | K0339.13005A4 | K0339.14005A4 | 5 | 3/8-16 | 21 | 47 | 17 | 7 | 15 | 5 | 13 | -19/16 -19/16 | 1.3 | 5 | 12 |
| K0339.11105AL | K0339.12105AL | K0339.13105AL | K0339.14105AL | 5 | 3/8-24 | 21 | 47 | 17 | 7 | 15 | 5 | 13 | -19/16 -19/16 | 1.3 | 5 | 12 |
| K0339.11206A5 | K0339.12206A5 | K0339.13206A5 | K0339.14206A5 | 6 | 1/2-13 | 25 | 56 | 20 | 8 | 17 | 6 | 14 | -13/4 -13/4 | 1.8 | 6 | 14 |
| K0339.11308A6 | K0339.12308A6 | K0339.13308A6 | K0339.14308A6 | 8 | 5/8-11 | 33 | 74 | 26 | 10 | 23 | 8 | 19 | -115/16 -115/16 | 2.3 | 15 | 35 |
| K0339.11410A7 | K0339.12410A7 | K0339.13410A7 | K0339.14410A7 | 10 | 3/4-10 | 33 | 80 | 28 | 12 | 25 | 10 | 22 | -111/8 -111/8 | 2.8 | 15 | 34 |

KIPP Indexing Plungers, pull knob, steel, locking pin hardened, metric

| Item No. Style A | Item No. Style B | Item No. Style C | Item No. Style D | D | D1 | D2 | L | L1 | L2 | L3 | H | SW1 | SW2 | F x 30° | Spring force initial pressure F1 approx. N | Spring force final pressure F2 approx. N |
|---------------------|---------------------|---------------------|---------------------|----|---------|----|----|----|----|----|----|-----|-----------------|---------|--|--|
| K0339.1105 | K0339.2105 | K0339.3105 | K0339.4105 | 5 | M10x1 | 21 | 47 | 17 | 7 | 15 | 5 | 13 | - / 17 / - / 17 | 1,3 | 5 | 12 |
| K0339.1206 | K0339.2206 | K0339.3206 | K0339.4206 | 6 | M12x1,5 | 25 | 56 | 20 | 8 | 17 | 6 | 14 | - / 19 / - / 19 | 1,8 | 6 | 14 |
| K0339.1308 | K0339.2308 | K0339.3308 | K0339.4308 | 8 | M16x1,5 | 33 | 74 | 26 | 10 | 23 | 8 | 19 | - / 24 / - / 24 | 2,3 | 15 | 35 |
| K0339.1410 | K0339.2410 | K0339.3410 | K0339.4410 | 10 | M20x1,5 | 33 | 80 | 28 | 12 | 25 | 10 | 22 | - / 30 / - / 30 | 2,8 | 15 | 34 |

KIPP Indexing Plungers, pull knob, stainless steel, locking pin hardened, metric

| Item No. Style A | Item No. Style B | Item No. Style C | Item No. Style D | D | D1 | D2 | L | L1 | L2 | L3 | H | SW1 | SW2 | F x 30° | Spring force initial pressure F1 approx. N | Spring force final pressure F2 approx. N |
|---------------------|---------------------|---------------------|---------------------|----|---------|----|----|----|----|----|----|-----|-----------------|---------|--|--|
| K0339.01105 | K0339.02105 | K0339.03105 | K0339.04105 | 5 | M10x1 | 21 | 47 | 17 | 7 | 15 | 5 | 13 | - / 17 / - / 17 | 1,3 | 5 | 12 |
| K0339.01206 | K0339.02206 | K0339.03206 | K0339.04206 | 6 | M12x1,5 | 25 | 56 | 20 | 8 | 17 | 6 | 14 | - / 19 / - / 19 | 1,8 | 6 | 14 |
| K0339.01308 | K0339.02308 | K0339.03308 | K0339.04308 | 8 | M16x1,5 | 33 | 74 | 26 | 10 | 23 | 8 | 19 | - / 24 / - / 24 | 2,3 | 15 | 35 |
| K0339.01410 | K0339.02410 | K0339.03410 | K0339.04410 | 10 | M20x1,5 | 33 | 80 | 28 | 12 | 25 | 10 | 22 | - / 30 / - / 30 | 2,8 | 15 | 34 |

KIPP Indexing Plungers, pull knob, stainless steel, locking pin not hardened, metric

| Item No. Style A | Item No. Style B | Item No. Style C | Item No. Style D | D | D1 | D2 | L | L1 | L2 | L3 | H | SW1 | SW2 | F x 30° | Spring force initial pressure F1 approx. N | Spring force final pressure F2 approx. N |
|---------------------|---------------------|---------------------|---------------------|----|---------|----|----|----|----|----|----|-----|-----------------|---------|--|--|
| K0339.11105 | K0339.12105 | K0339.13105 | K0339.14105 | 5 | M10x1 | 21 | 47 | 17 | 7 | 15 | 5 | 13 | - / 17 / - / 17 | 1,3 | 5 | 12 |
| K0339.11206 | K0339.12206 | K0339.13206 | K0339.14206 | 6 | M12x1,5 | 25 | 56 | 20 | 8 | 17 | 6 | 14 | - / 19 / - / 19 | 1,8 | 6 | 14 |
| K0339.11308 | K0339.12308 | K0339.13308 | K0339.14308 | 8 | M16x1,5 | 33 | 74 | 26 | 10 | 23 | 8 | 19 | - / 24 / - / 24 | 2,3 | 15 | 35 |
| K0339.11410 | K0339.12410 | K0339.13410 | K0339.14410 | 10 | M20x1,5 | 33 | 80 | 28 | 12 | 25 | 10 | 22 | - / 30 / - / 30 | 2,8 | 15 | 34 |