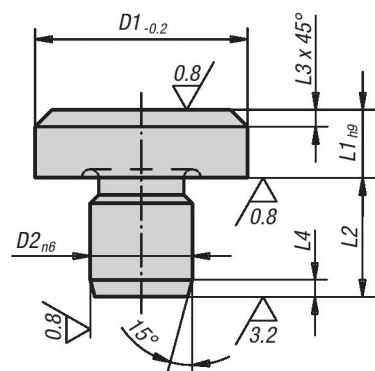




Thrust Bolts

METRIC
Parts

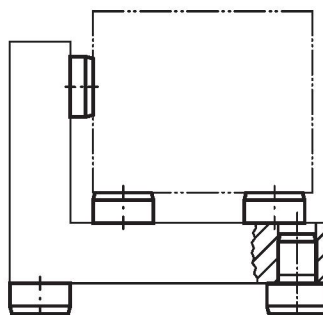


Material:
Tool steel.

Type:
Hardened and ground,
support surface without centering

Part Number Example:
K0292.041

Note:
If more than one thrust bolt is used, the support height can be reground. Thrust bolts can also be used as feet for jigs and fixtures.



KIPP Thrust Bolts, metric

Item No.	D1	L1	D2	L2	L3	L4
K0292.041	6	2,5	4	6,5	0,7	1,2
K0292.042	6	4,5	4	8,5	0,7	1,2
K0292.04	6	5	4	6	0,7	1,2
K0292.061	10	4,5	6	8,5	0,9	1,5
K0292.06	10	8	6	8,5	0,9	1,5
K0292.08	16	5	8	10	2	2
K0292.081	16	13	8	10	2	2
K0292.10	20	6	10	12	2	2
K0292.101	20	12	10	12	2	2
K0292.12	25	8	12	14	2	2
K0292.122	25	20	12	14	2	2
K0292.123	25	30	12	14	2	2
K0292.16	30	25	16	20	2,5	2,5
K0292.164	30	40	16	20	2,5	2,5
K0292.165	30	50	16	20	2,5	2,5
K0292.166	30	65	16	20	2,5	2,5
K0292.20	30	80	20	20	2,5	2,5
K0292.201	30	100	20	20	2,5	2,5
K0292.202	40	13	20	20	3,2	3,2
K0292.203	40	32	20	20	3,2	3,2