

Spring Plungers

pin style, hexagon socket, stainless steel body and POM pin



INCH
Parts

METRIC
Parts



Material:

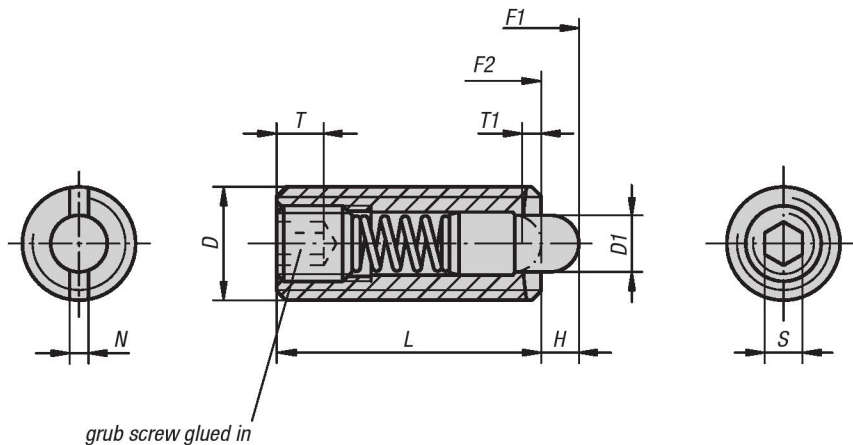
Body in stainless steel 1.4305;
pressure pin in POM;
spring in stainless steel 1.4310

Type:

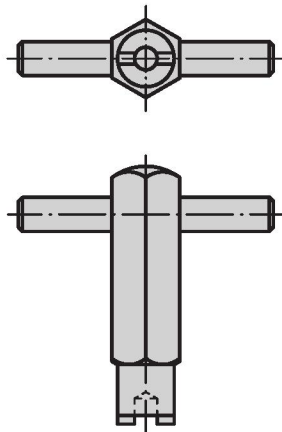
Natural finish.

Part Number Example:

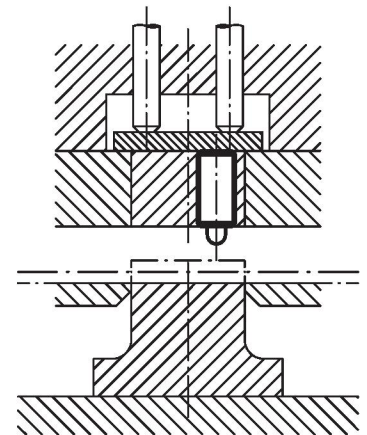
K0320.A6



Assembly Key



Application Diagram



KIPP Spring Plungers, pin style, hexagon socket, stainless steel body, POM pin, standard end pressure, inch

Item No.	D	D1	L	H	T	T1	N	S	Spring force initial pressure F1 approx. N	Spring force final pressure F2 approx. N	Item No. Assembly key
K0320.AG	8-36	1.5	15	1.5	2	0.6	0.6	.050	5	16	K0317.904
K0320.AE	8-32	1.5	15	1.5	2	0.6	0.6	.050	5	16	K0317.904
K0320.A1	10-32	2.4	18	2.3	2	0.8	0.8	1/16	5	17	K0317.905
K0320.AJ	1/4-28	2.7	20	2.5	2.5	1	1	5/64	6	17	K0317.906
K0320.A2	1/4-20	2.7	20	2.5	2.5	1	1	5/64	6	17	K0317.906
K0320.A3	5/16-18	3.5	22	3	3	1.4	1.2	3/32	7	29	K0317.908
K0320.A4	3/8-16	4	22	3	3.5	1.4	1.6	1/8	8	31	K0317.910
K0320.A5	1/2-13	6	28	4	5	2	2	5/32	10	47	K0317.912
K0320.A6	5/8-11	7.5	32	5	6	2.5	2.5	3/16	45	100	K0317.916



Spring Plungers

pin style, hexagon socket, stainless steel body and POM pin

KIPP Spring Plungers, pin style, hexagon socket, stainless steel body, POM pin, standard end pressure, metric

Item No.	D	D1	L	H	T	T1	N	S	Spring force initial pressure F1 approx. N	Spring force final pressure F2 approx. N	Item No. Assembly key
K0320.03	M3	1	10	1,5	1,5	1	0,4	0,7	0,5	3	K0317.903
K0320.04	M4	1,5	15	1,5	2	0,6	0,6	1,3	5	16	K0317.904
K0320.05	M5	2,4	18	2,3	2	0,8	0,8	1,5	5	17	K0317.905
K0320.06	M6	2,7	20	2,5	2,5	1	1	2	6	17	K0317.906
K0320.08	M8	3,5	22	3	3	1,4	1,2	2,5	7	29	K0317.908
K0320.10	M10	4	22	3	3,5	1,4	1,6	3	8	31	K0317.910
K0320.12	M12	6	28	4	5	2	2	4	10	47	K0317.912
K0320.16	M16	7,5	32	5	6	2,5	2,5	5	45	100	K0317.916