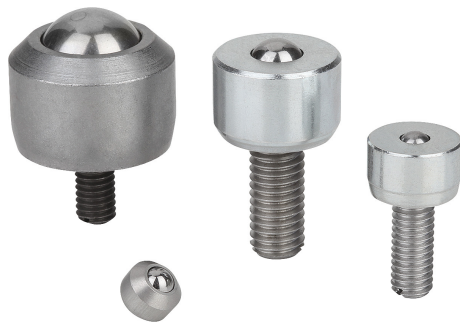


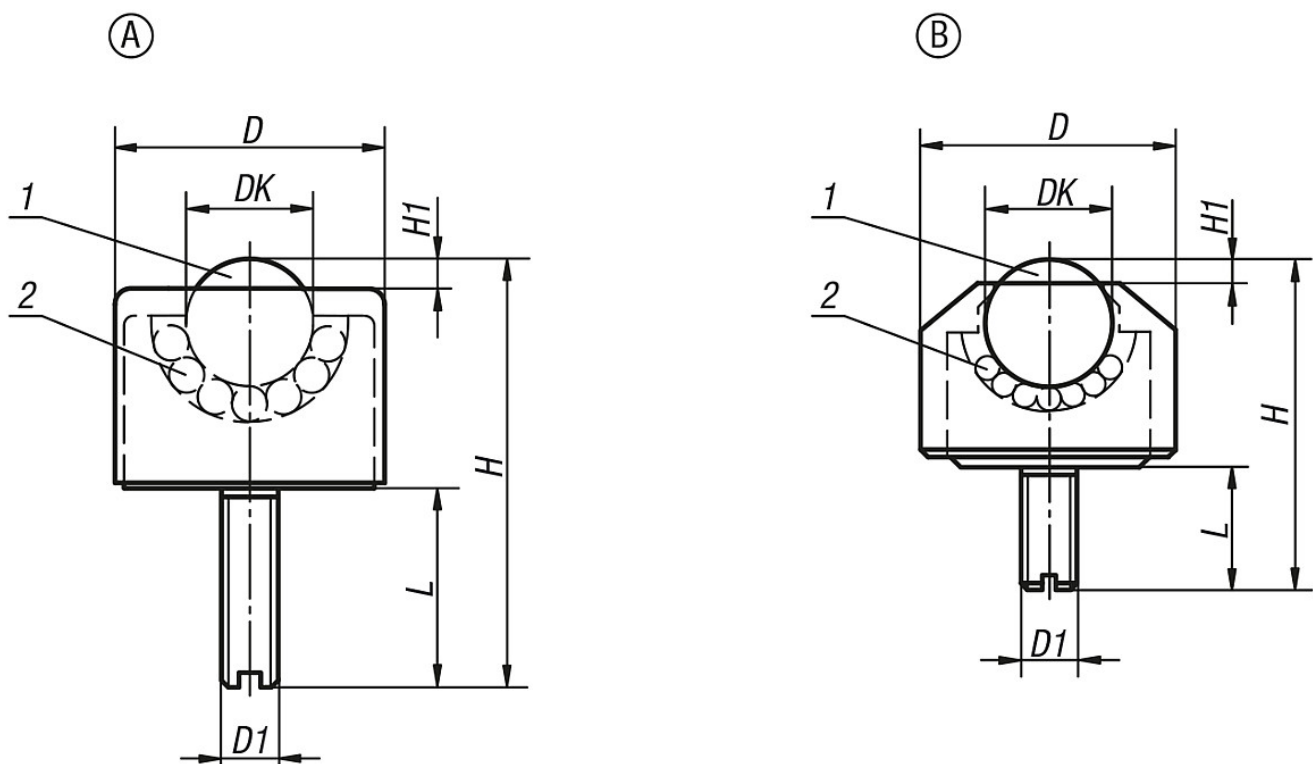
Mini ball transfer units

Item description/product images



Description

Drawings



Overview of items

Mini ball transfer units

Order No.	Material base	Form	DK	D	D1	H	H1	L	Load rating C (N)
K0749.1105	Steel	A	4,8	13	M6	24	1	15	100
K0749.1106	Steel	A	6,4	17	M6	26	2	15	200
K0749.1108	Steel	A	7,9	18	M8	32	2	18	300
K0749.1110	Steel	A	9,6	23	M8	40	2	20	400
K0749.1113	Steel	A	12,7	28	M8	48	3,5	23	500
K0749.1216	Steel	B	15,8	24	M6	32,5	4	12	700
K0749.2205	Stainless steel	B	4,8	8	M2	8,5	1	2,5	50
K0749.2206	Stainless steel	B	6,4	13	M3	16,5	2	6	100
K0749.2208	Stainless steel	B	7,9	15	M4	20,5	2	8	150